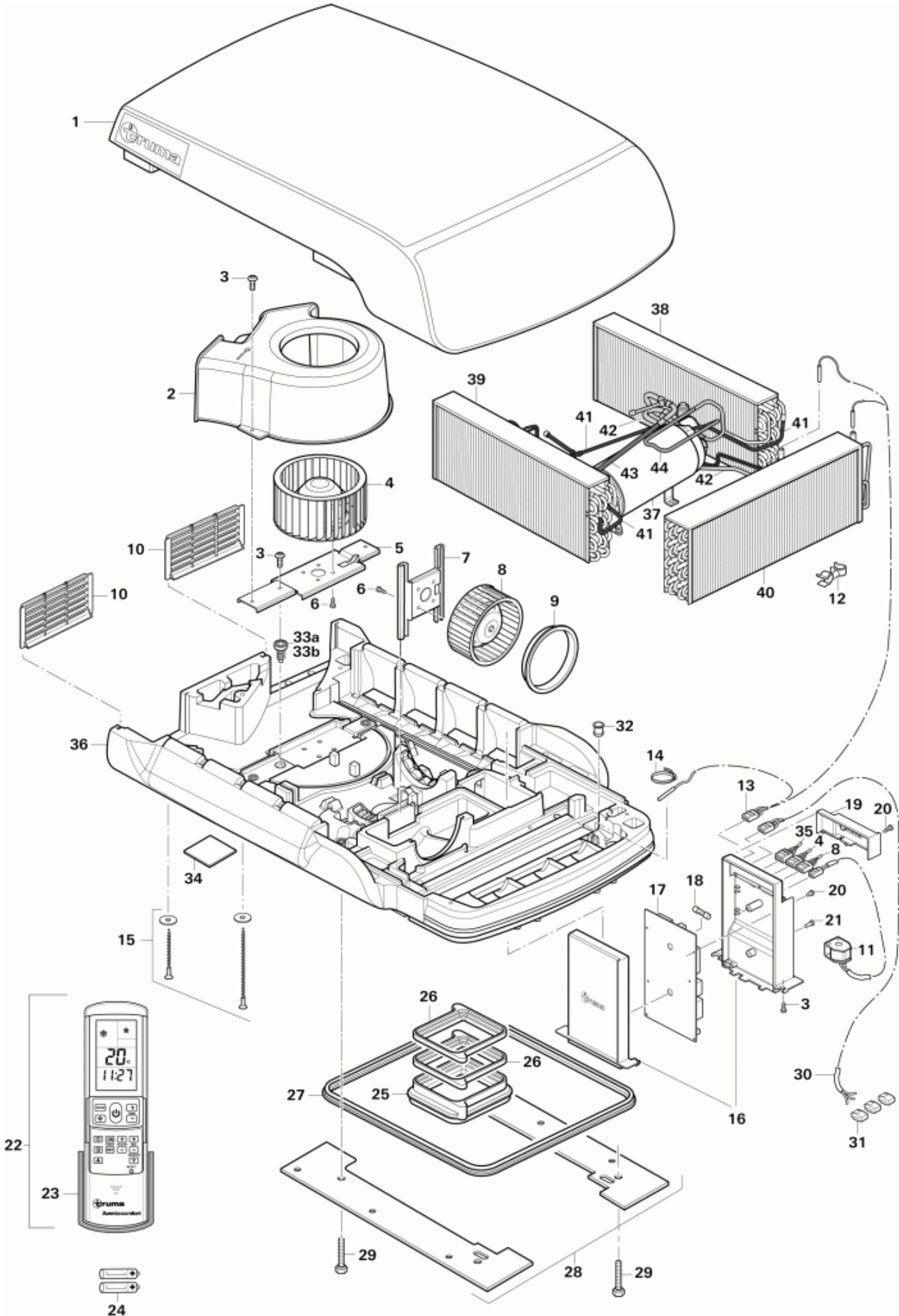


Product Name: AVENTA

Item Code: 44091-52
SKU: 9108400363
Production:
Release Date: 20/10/14



Product Name: AVENTA

Item Code: 44091-52
SKU: 9108400363
Production:
Release Date: 20/10/14



	Item No	Description
00		
01	40091-82800	SHROUD AVENTA
02		
03		
04	40091-82200	FAN CONDENSOR AVENTA
05		
06		
07		
08	40091-82500	FAN EVAPORATOR AVENTA
09		
10		
11	40091-82000	SOLENOID COIL AVENTA
12		
13	40091-82100	SENSORS INC HARNESS AVENTA
14		
15	40091-83000	SCREWS SHROUD (PACK) AVENTA
16		
17	40091-81400	PCB AVENTA
17	40091-83400	PCB AVENTA MK2
18	40091-81500	FUSE AVENTA / SAPHIR R/C
19		
20		
21		
22	40091-81700	CONTROL REMOTE AVENTA
23		
24		
25	40091-81100	DUCT BASE RING AVENTA
26	40091-16900	ADAPTER ROOF THICKNESS AVENTA
27	40091-82700	GASKET MOUNTING AVENTA
28	40091-81900	FIXING KIT, LH/RH AVENTA
29	40091-17200	BOLT MOUNTING AVENTA
30		
31	40091-18400	CONNECTOR ELECTRICAL AVENTA
32		
33a		
33b		
34		
35		
36		
37		
38		
39		
40		

*** Items not listed are only available by special order**