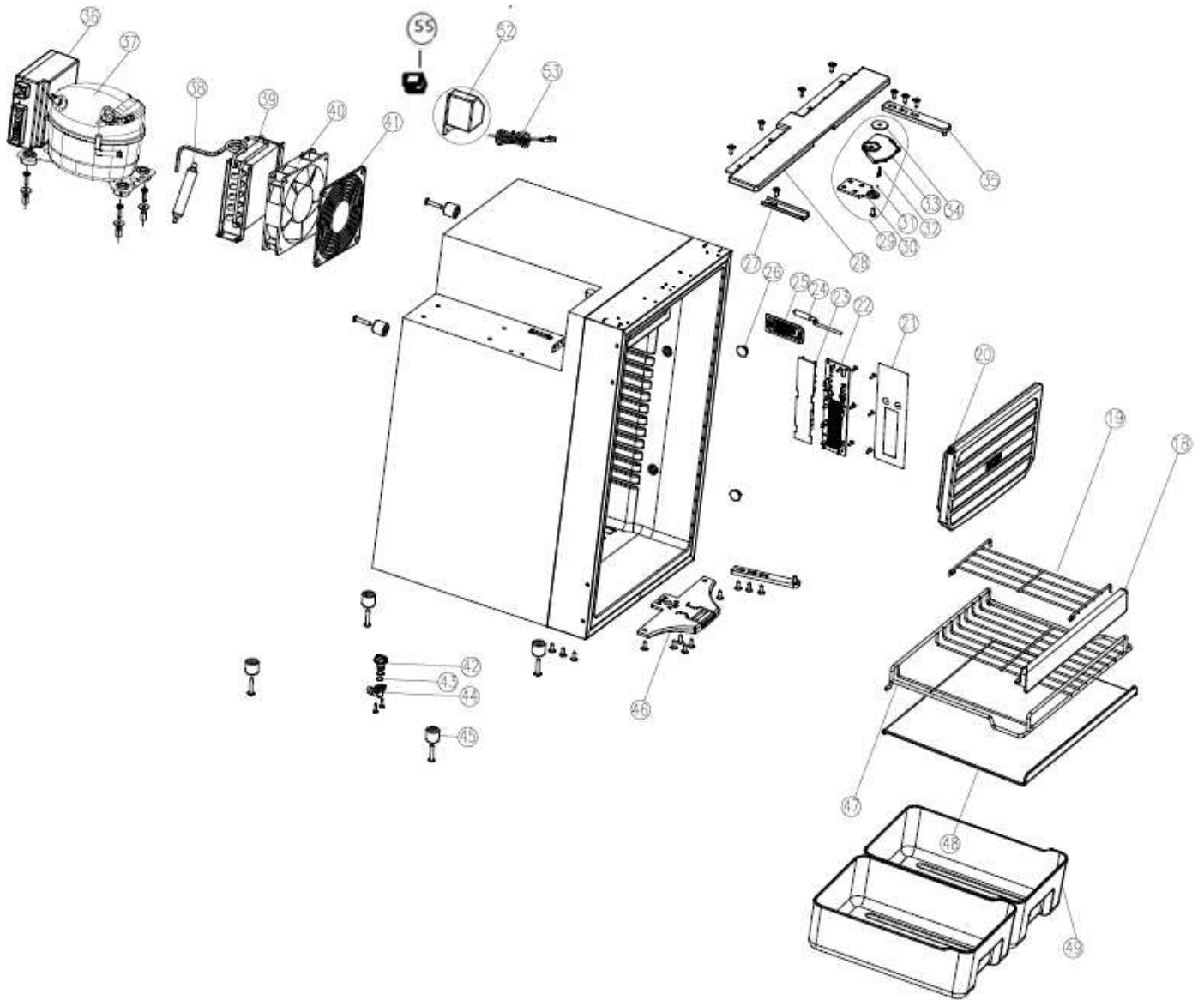


Product Name: CRX140

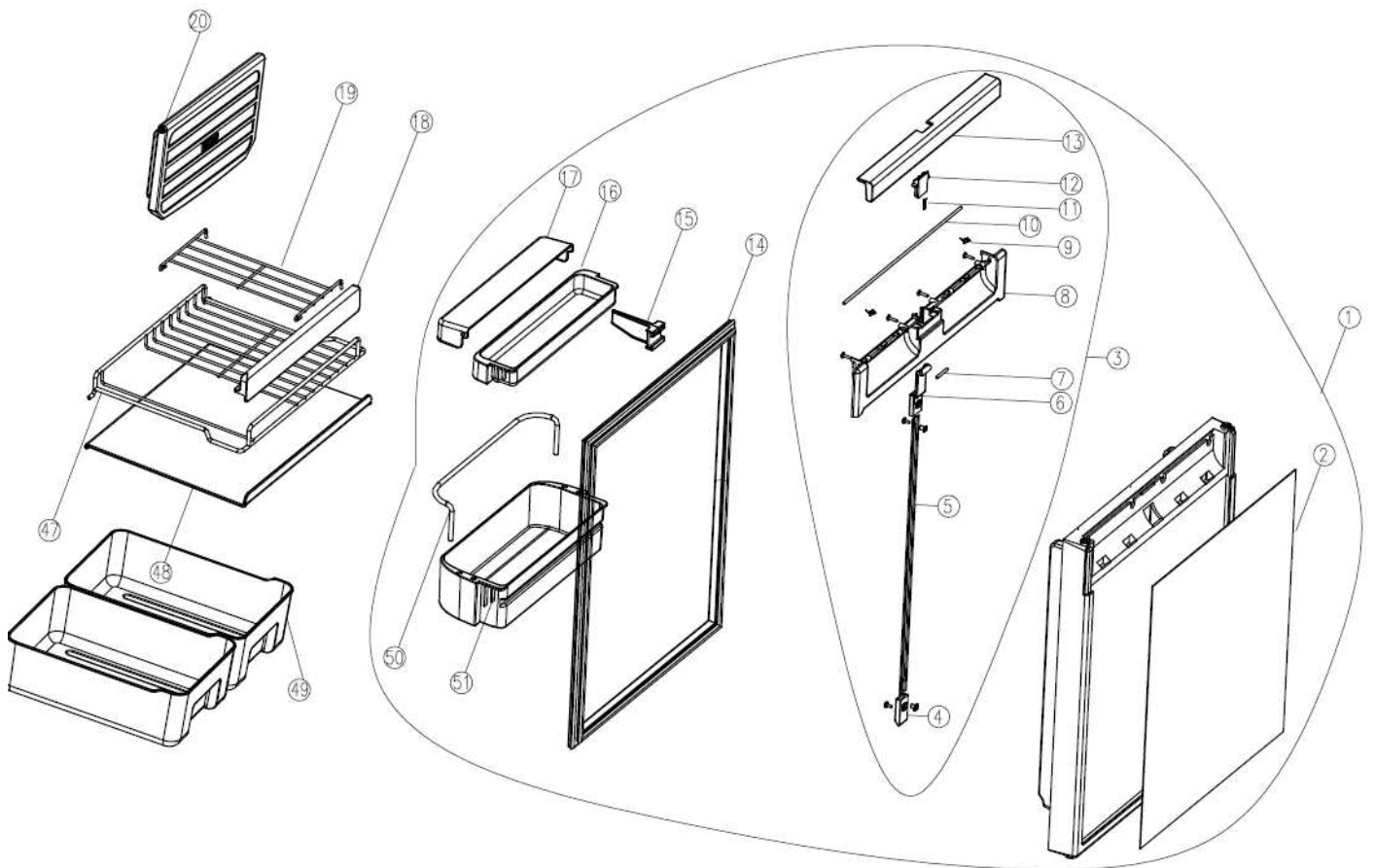


Item Code: CRX140
SKU: 9105306266
Production: 936001930
Release Date: 10/8/16



Product Name: CRX140

Item Code: CRX140
SKU: 9105306266
Production: 936001930
Release Date: 10/8/16



Product Name: CRX140



Item Code: CRX140
SKU: 9105306266
Production: 936001930
Release Date: 10/8/16

	Item No	Description
1	138COMDOORASA	DOOR CR140
2	82MC138MT14A	PANEL DOOR CR140
3	138LOCKINGASB	LOCKING ASSY CR140
4		
5		
6		
7		
8		
9		
10		
11		
12		
13	40-092-02PC8K	HANDLE DOORCR110/140
14	42-138-138GS01	GASKET DOOR CR140/CRX140
15	40-065-07AP	DIVIDER DOOR SHELF CR RANGE
16	40-092-05AB	SHELF UPPER DOOR CR 110/140
17	40-092-06PT	COVER SHELF UPPER CR 110/140
18	40-092-09PT	COVER GRILL CR 110/140
19		
20	40-138-27PE98	DOOR FREEZER CR140
21	4450012736	MEMBRANE CRX110/140
22	4450010564	COVER LED CRX50/65/80
23	4450012744	PCB DISPLAY CRX110/1140
24	4450010423	THERMISTOR CRX
25		
26	40-065-25AP98	CAP SCREW COVER CR
27	46-065-38BX	PLATE SUPPORT CR RANGE
28	4013807AP8K	PLATE TOP CR140
29		
31	46-SB-SR15SC	BALL LOCK PLATE CR
32	46-065-20SN	SPRING LOCK PLATE CR
33	46-065-31BX10	COVER LOCK CR RANGE
34	46-065-21BX	SHAFT LOCK PLATE CR
35	46-138-08BX	HINGE DOOR UPPER CR140
36	10-02-MFC20AD21	CONTROL UNIT CFX95DZ
37		
38	10-05-GR75LQ	DRIER FILTER7G CDF11
39	4450010205	CONDENSER CRX
40	4450011023	FAN CONDENSER CRX
41	4451050929	GUARD FAN CRX
42	4451015130	PLUG NO ORING CRX
43	4450002488	ORING PLUG CRX
44	4450010185	PIPE DRAIN CRX

*** Items not listed are only available by special order**

Product Name: CRX140

Item Code: CRX140
SKU: 9105306266
Production: 936001930
Release Date: 10/8/16



	Item No	Description
45		
46	40-065-15AP	LOCK LOWER PLATE CR RANGE
47	46-138-10SSW	GRILL CR140
48	40-138-13PT6C7	DIVIDER SHELF CR140
49		
50		
51	40-138-04AB98	SHELF DOOR LOWER CR140
55	33-01-SST23A1	SOCKET CF AC & CR140

*** Items not listed are only available by special order**