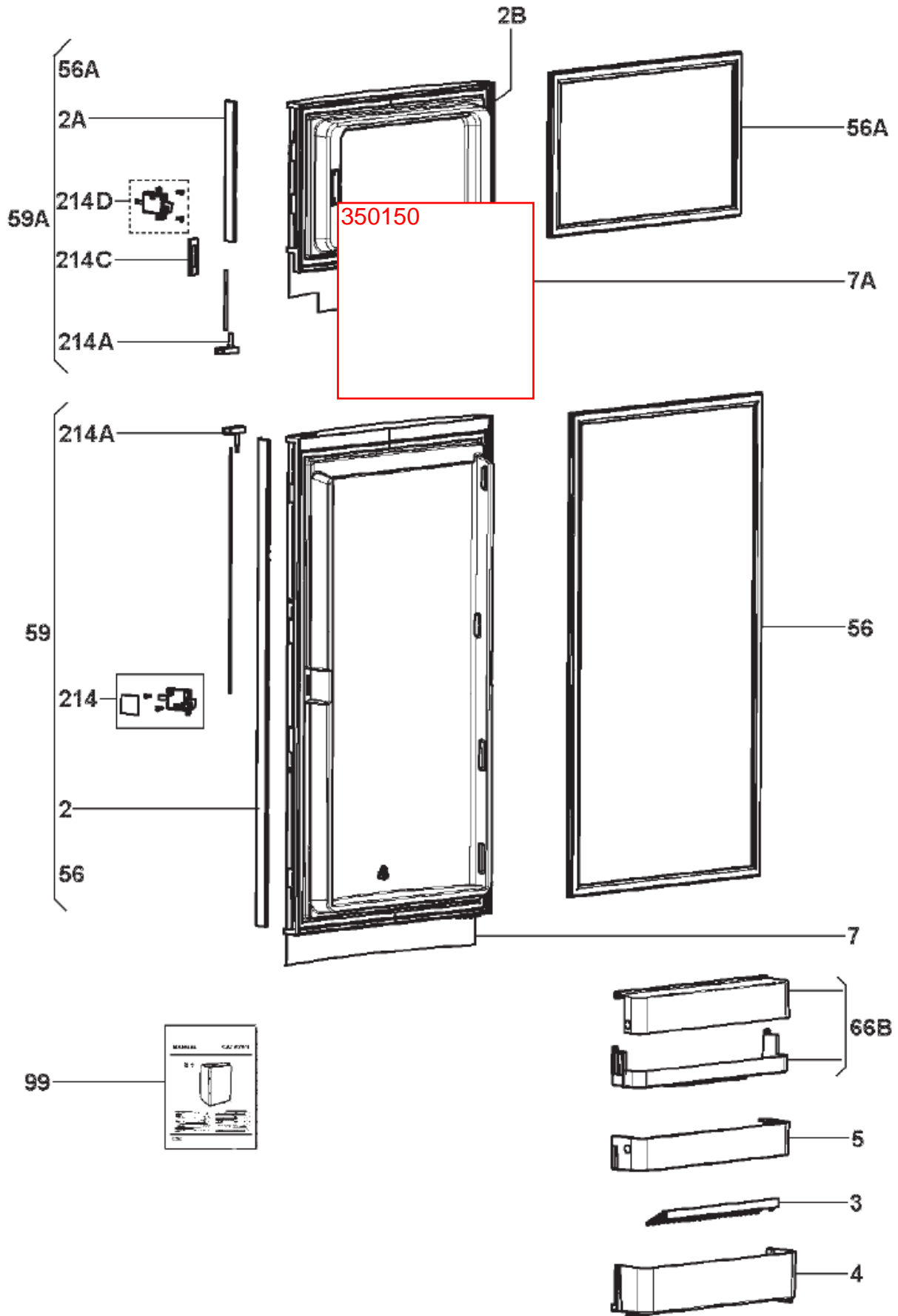


Product Name: RMDX21 190LT TWO DOOR MES



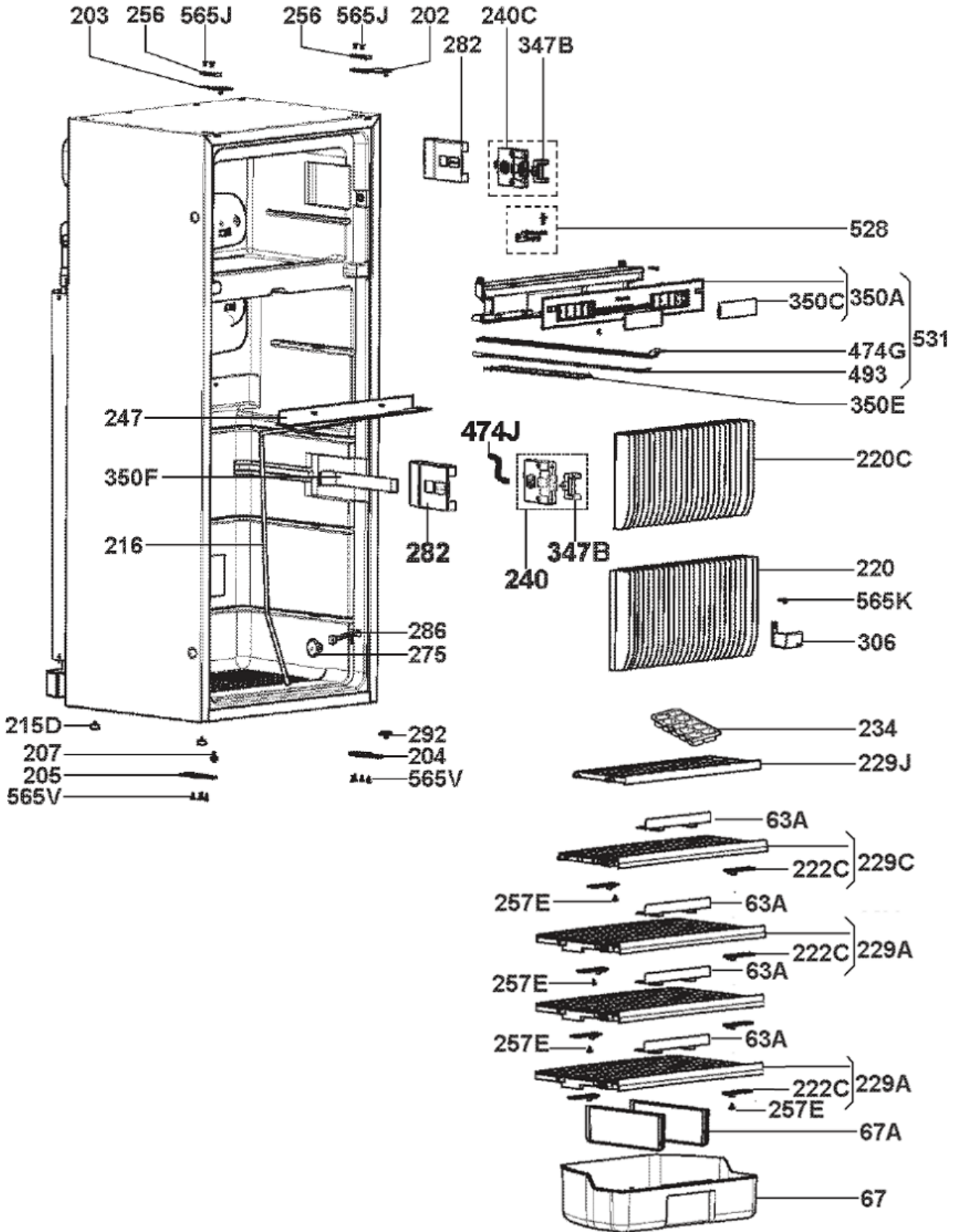
Item Code: RMDX21
SKU: 9500001443, 9500001442
Production: 912232341, 921132342
Release Date: 13/9/2016



Product Name: RMDX21 190LT TWO DOOR MES



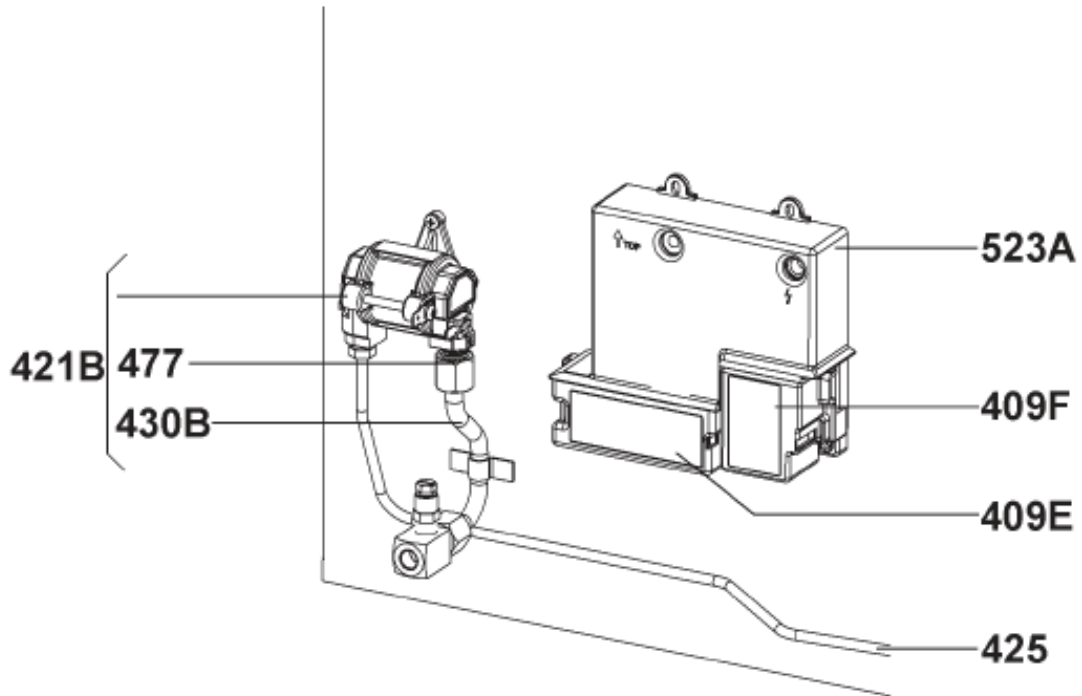
Item Code: RMDX21
SKU: 9500001443, 9500001442
Production: 912232341, 921132342
Release Date: 13/9/2016



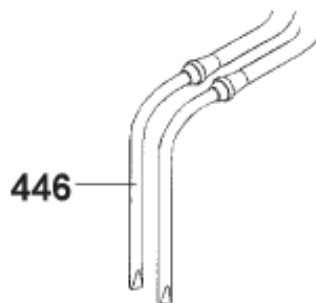
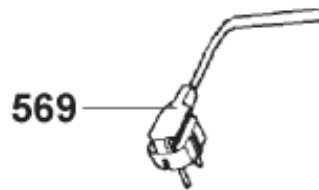
Product Name: RMDX21 190LT TWO DOOR MES



Item Code: RMDX21
SKU: 9500001443, 9500001442
Production: 912232341, 921132342
Release Date: 13/9/2016



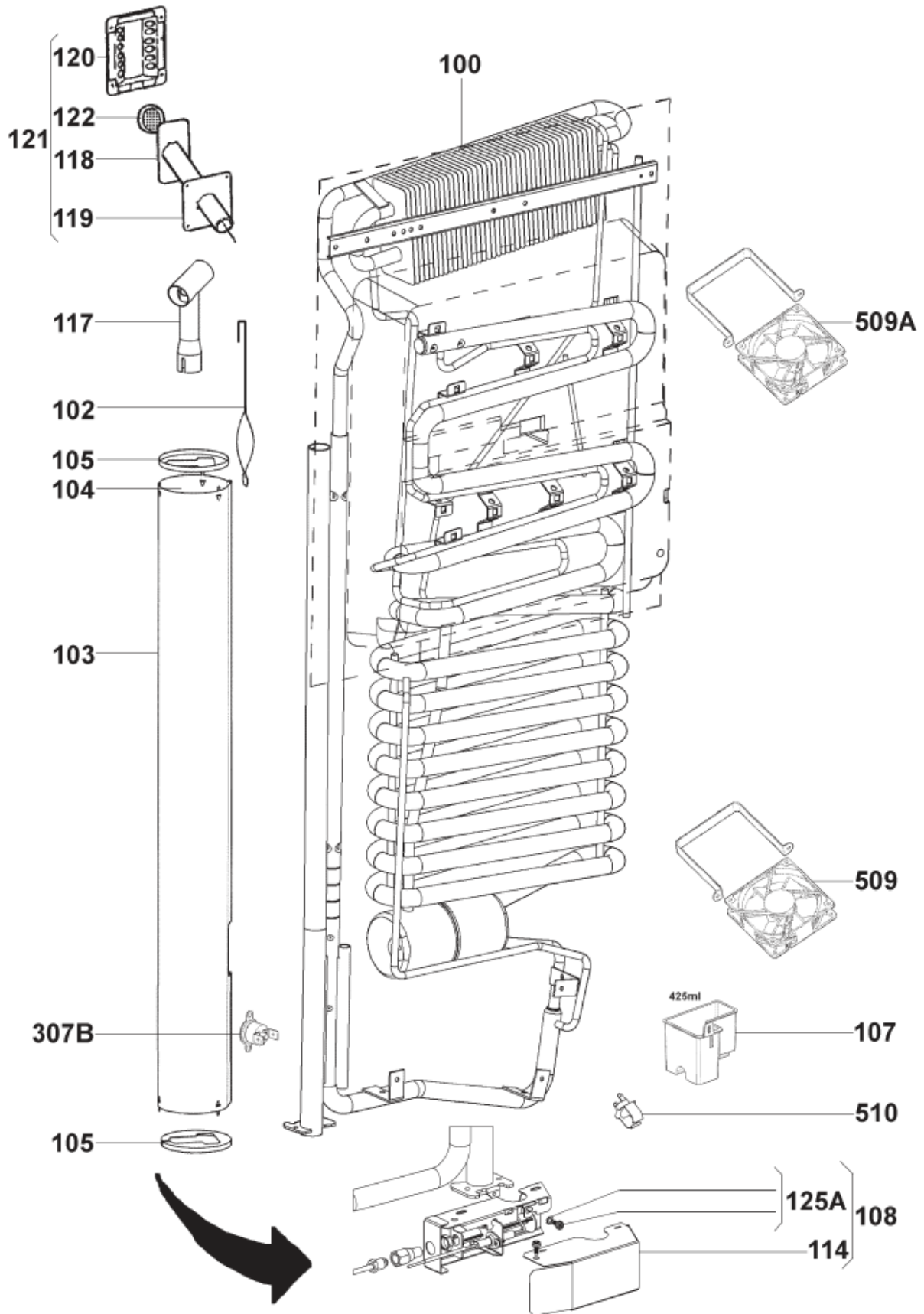
ELEKTROARMATUR ELECTRO EQUIPMENT



Product Name: RMDX21 190LT TWO DOOR MES



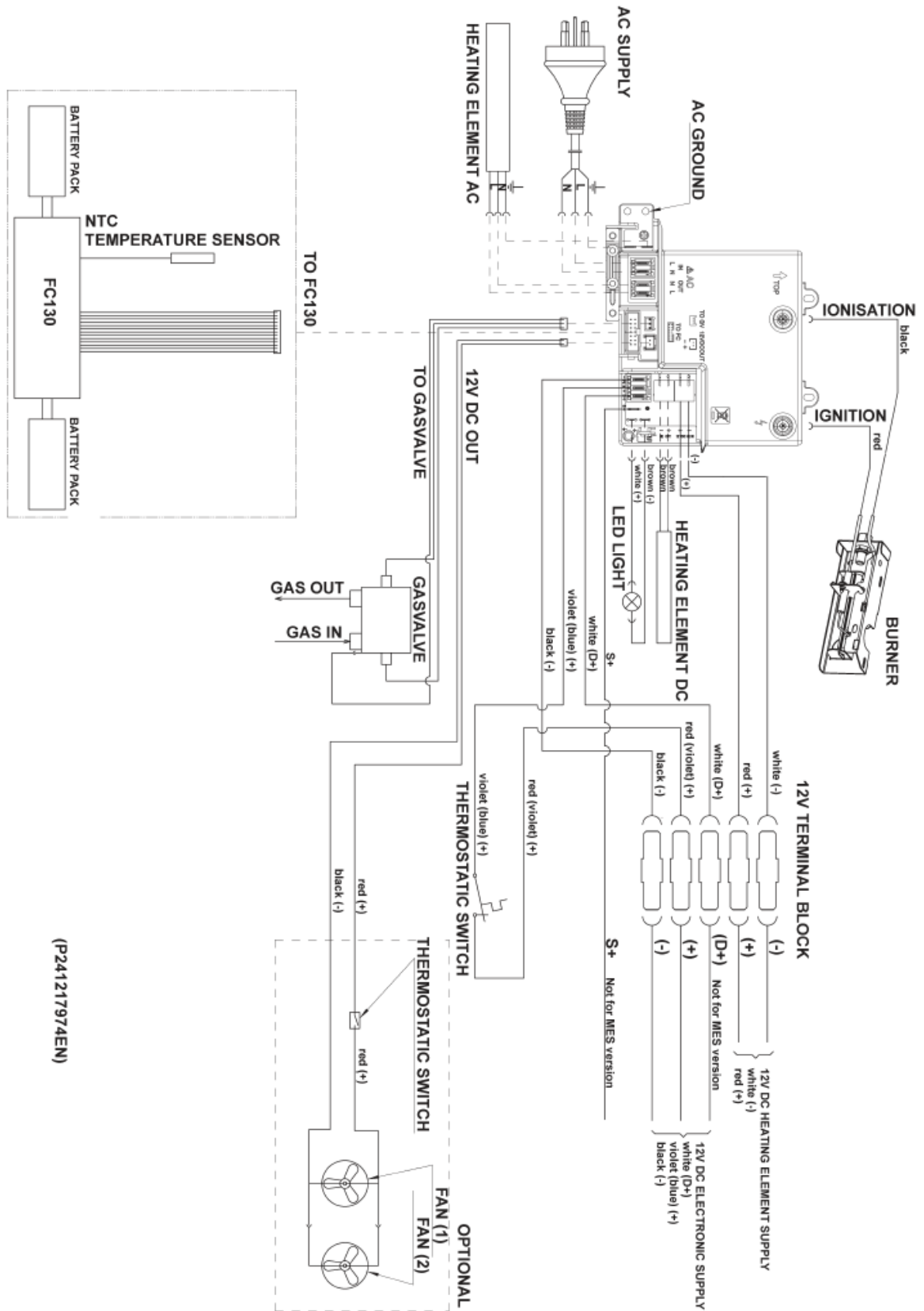
Item Code: RMDX21
SKU: 9500001443, 9500001442
Production: 912232341, 921132342
Release Date: 13/9/2016



Product Name: RMDX21 190LT TWO DOOR MES



Item Code: RMDX21
SKU: 9500001443, 9500001442
Production: 912232341, 921132342
Release Date: 13/9/2016



(P241217974EN)

Product Name: RMDX21 190LT TWO DOOR MES

Item Code: RMDX21
SKU: 9500001443, 9500001442
Production: 912232341, 921132342
Release Date: 13/9/2016

	Item No	Description
-		
-		
-		
-	2923142067	RIVET LOCK RMD/RMDX
-		
002	2413338225	TRIM FRIDG DOOR RMD8551/RMDX21
002A	2413338324	TRIM FRZ DR SHT RMD8551/RMDX21
002B	2413338423	TRIM FRZ DR LG RMD8551/RMDX21
003	2951237037	RETAINER BOTTLE RMDX21/25
004	2413341013	SHELF DOOR LOWER RMDX21/25
005	2413342011	SHELF DOOR MIDDLE RMDX21/25
007	2890288034	DECOR PANEL FRIDGE RMDX21
007A	2890290030	DECOR PANEL FREEZER LH RMDX21
007A	2890290535	DECOR PANEL FREEZER RH RMDX21
056	2413010337	DOOR GASKET FRIDGE RMD/RMDX
056A	2413010436	DOOR GASKET FREEZER RMD/RMDX
059	2890475102	DOOR FRIDGE LH RMD8551/RMDX21
059	2890475003	DOOR FRIDGE RH RMD8551/RMDX21
059A	2890134410	DOOR FREEZER LH RMD8551/RMDX21
059A	2890134501	DOOR FREEZER RH RMD8555/RMDX25
063A	2413377306	DIVIDER CABINET SHELF RMD/RMDX
066B	2890633007	SHELF DOOR UPPER RMDX21/25
067	2413392008	CRISPER BOX RMD/RMDX
067A	2413377207	DIVIDER CRISPER RMD/RMDX
099		
099		
100		
102	2926212628	BAFFLE RMDX21/25
103		
104		
104		
105		
107	2923709105	TRAY EVAPORATION RMD/RMDX
108	289063400	BURNER GAS RMDX21/25
114	2932661016	COVER BURNER 2553/RMDX
117	295244450	T PIECE RMD/RMDX
118		
121		
122		
125A		
202	2412096303	HINGE UPPER RH RMD/RMDX
203	2412096402	HINGE UPPER LH RMD/RMDX
204	2412098101	HINGE LOWER RH RMD/RMDX
205	2412099109	HINGE LOWER LH RMD/RMDX
118		

*** Items not listed are only available by special order**

Product Name: RMDX21 190LT TWO DOOR MES

Item Code: RMDX21
SKU: 9500001443, 9500001442
Production: 912232341, 921132342
Release Date: 13/9/2016

	Item No	Description
121		
122		
125A		
202	2412096303	HINGE UPPER RH RMD/RMDX
203	2412096402	HINGE UPPER LH RMD/RMDX
204	2412098101	HINGE LOWER RH RMD/RMDX
205	2412099109	HINGE LOWER LH RMD/RMDX
207	292626500	BOLT HINGE BLACK RMD/RMDX
214	2890127117	LOCK DOOR RMD/RMDX
214A	2413260221	BUTTON DOOR LOCK LH RMD/RMDX
214A	2413260320	BUTTON DOOR LOCK RH RMD/RMDX
214C		
214D	2890471002	LOCK DOOR FREEZER RMD/RMDX
216		
220		
220C		
222C	2413327137	LOCK SHELF CABINET RMDX
229A	2890631001	SHELF CABINET LOWER RMDX21/25
229C	2890629005	SHELF CABINET UPPER RMDX21/25
229J	2890628007	SHELF FREEZER RMDX21/25
234	295113200	TRAY ICE CUBE RMD/RMDX
240	2413267416	LOCK LIGHT NO LENS LH RMD/RMDX
240	2413267515	LOCK LIGHT NO LENS RH RMD/RMDX
240C	2890371210	LOCK STRIKER FREEZER RMD/RMDX
247		
256		
257E		
257E		
275	2951221056	CAP SCREW COVER RMD/RMDX
282	2413268018	LENS LIGHT RMD/RMDX
286		
292		
306	2106509306	RETAINER SENSOR RMD/RMDX
307B	3850870019	CLIXON RMD/RMDX
347B		
350A	2890444009	PCB DISPLAY LH (T) 8551/RMDX21
350A	2890507201	PCB DISPLAY RH (T) 8551/RMDX21
350E	2890166917	COVER CABLE FZR RMD/RMDX
350F		
409E		
409F		
421B	2412798601	VALVE GAS RMD (T)/RMDX
425		
430B	2412300994	PIPE GAS VALVE RMDX21/25
446	2890170521	ELEMENT 12V 170W RMD/RML/RMDX
446	2890209337	ELEMENT 240V 250W RMD(T)/RMDX

*** Items not listed are only available by special order**

Product Name: RMDX21 190LT TWO DOOR MES



Item Code: RMDX21
SKU: 9500001443, 9500001442
Production: 912232341, 921132342
Release Date: 13/9/2016

	Item No	Description
474G	2890237106	WIRING DIPLAY RMD/RMDX
474J		
477		
493	2952248819	PROBE TEMP MES4 RMD/RMDX
509	2106511880	FAN LOWER RMD/RMDX
509A	2106511872	FAN UPPER RMD/RMDX
510	2412906204	CLIXON FAN RML8551/RMDX
523A	2890189307	PCB MAIN RMD/RMDX
528	2412350726	HINGE MIDDLE LH RMD/RMDX
528	2412350734	HINGE MIDDLE RH RMD/RMDX

*** Items not listed are only available by special order**