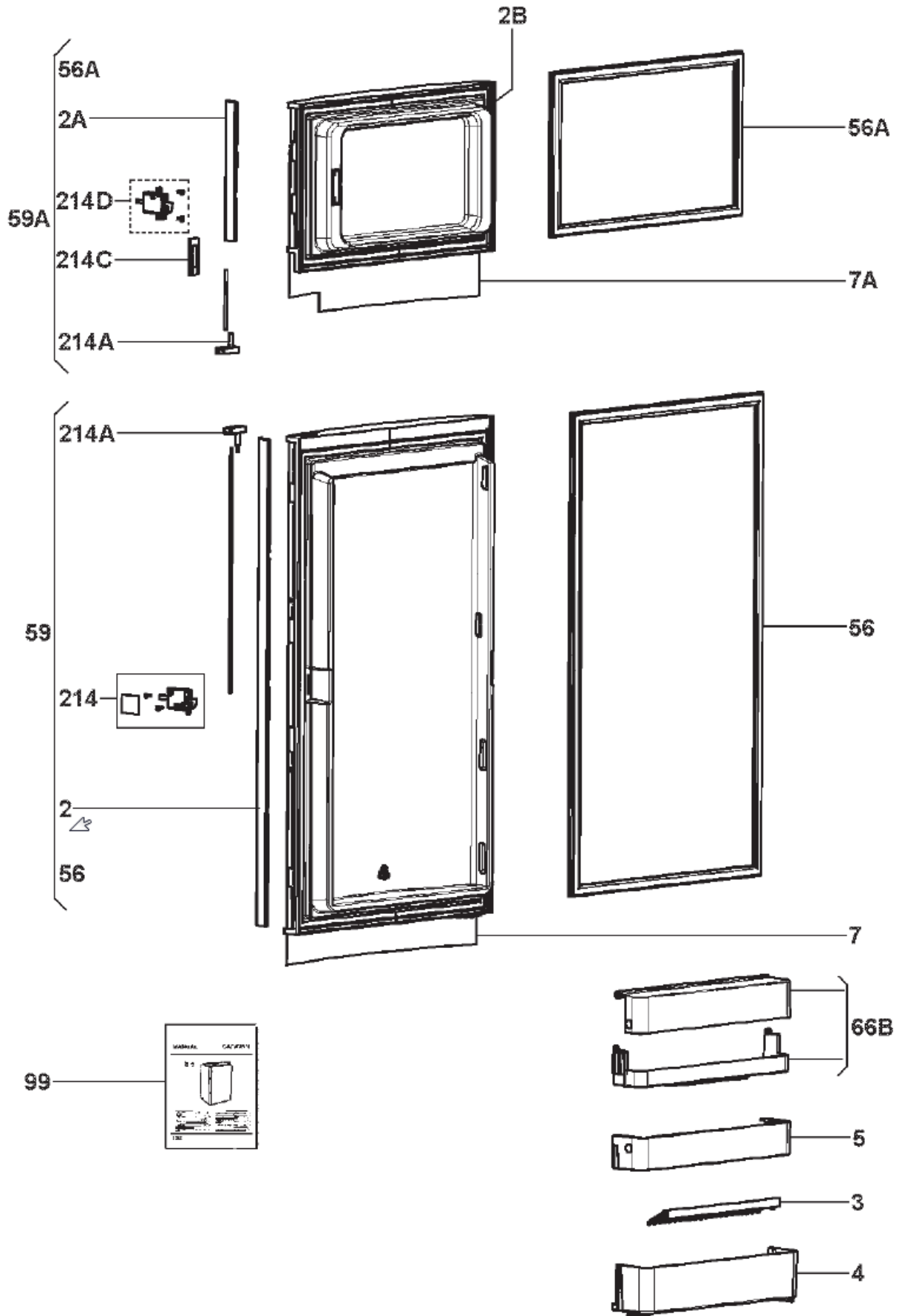


Product Name: RMD8551



Item Code: RMD8551RH, RMD8551LH
SKU: 9105705951, 9105705952
Production: 921078130, 921078249, 921078250
Release Date: 20/10/14



Product Name: RMD8551

Item Code: RMD8551RH, RMD8551LH
SKU: 9105705951, 9105705952
Production: 921078130, 921078249, 921078250
Release Date: 20/10/14

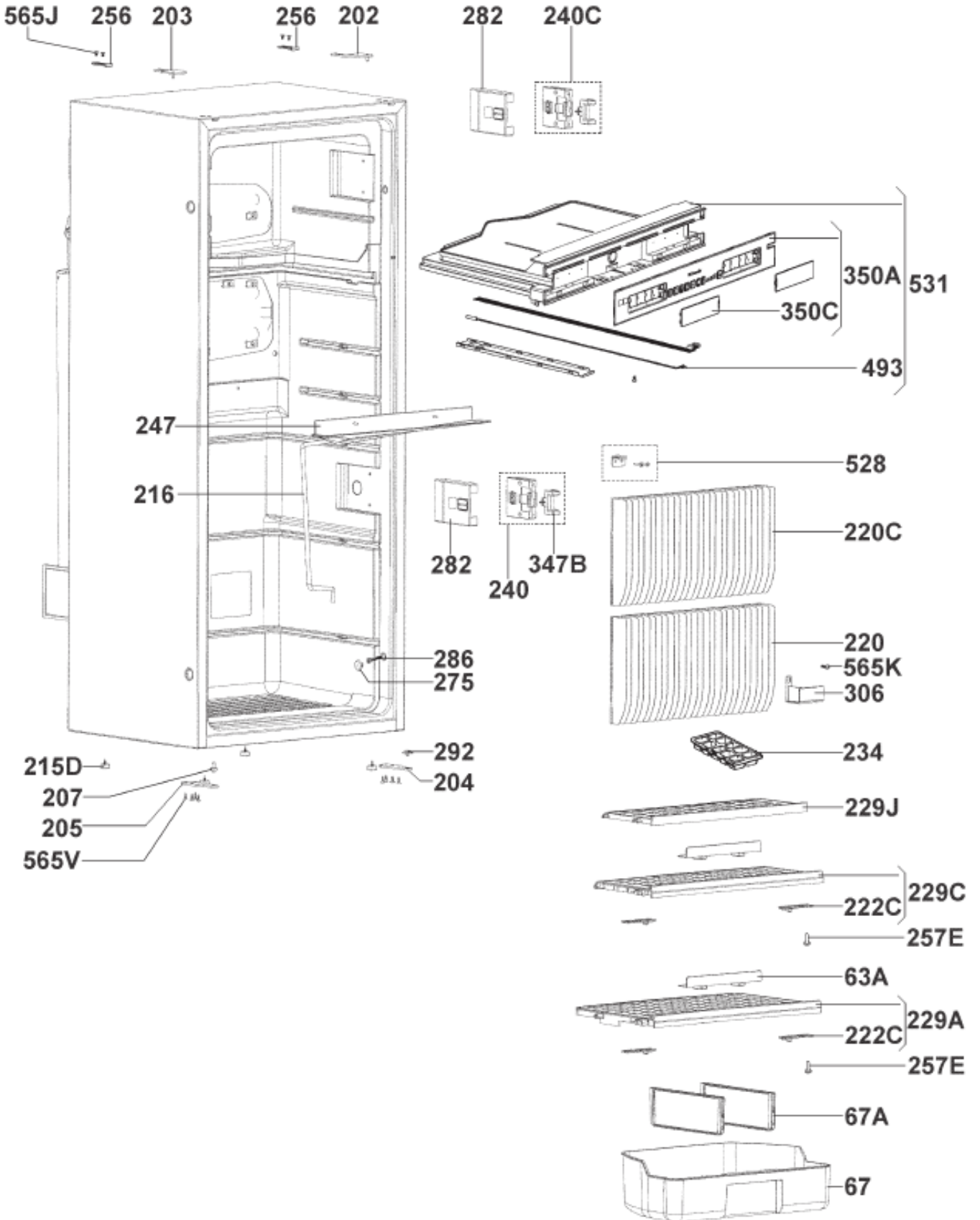
	Item No	Description
002	2413338225	TRIM FRIDGE DOOR RMD8551
002A	2413338324	TRIM FREEZER DR SHORT RMD8551
002B	2413338423	TRIM FREEZER DR LONG RMD8551
003	2951237029	RETAINER BOTTLE RM5310/8501/51
004	2413341005	SHELF DOOR LWR RMD/L/8551/8501
005	2413342003	SHELF DOOR MIDDLE RMD8551/8501
007	2890288000	PANEL DECOR FRIDGE RMD8551
007A	2890290501	PANEL DECOR FREEZER RH RMD8551
007A	2890290006	PANEL DECOR FREEZER LH RMD8551
056	2413010337	DOOR GASKET FRIDGE RMD8551
056A	2413010436	DOOR GASKET FREEZER RMD8551
059	2413009339	DOOR FRIDGE RIGHT RMD8551
059	2413984408	DOOR FRIDGE LEFT RMD8551
059	2890475003	DOOR FRIDGE RMD8551 RH (T) SUITS P/N 921078748 / 921078751
059	2890475102	DOOR FRIDGE RMD8551 LH (T) SUITS P/N 921078748 / 921078751
059	2890475300	DOOR FRIDGE RMD8555 BLK RH (T) SUITS P/N 921078748 / 921078751
059A	2890134709	DOOR FREEZER RH SIL RMD8551 SUITS P/N 921078748 / 921078751
059A	2890134410	DOOR FREEZER LH SIL RMD8551 SUITS P/N 921078748 / 921078751
059A	2890134501	DOOR FREEZER RH BLK RMD8555(T) SUITS P/N 921078748 / 921078751
059A	2413983400	DOOR FREEZER RIGHT RMD8551
059A	2413983210	DOOR FREEZER LEFT RMD8551
066B	2413938008	SHELF DOOR UPPER RMD8551/8501
099		
099		
214		
214	2890127117	LOCK DOOR RMD8551
214A	2413260221	BUTTON DOOR LOCK LH RMD8551
214A	2413260320	BUTTON DOOR LOCK RH RMD8551
214D	2890471002	LOCK DOOR FREEZER RMD8551/8555

*** Items not listed are only available by special order**

Product Name: RMD8551



Item Code: RMD8551RH, RMD8551LH
SKU: 9105705951, 9105705952
Production: 921078130, 921078249, 921078250
Release Date: 20/10/14



Product Name: RMD8551

Item Code: RMD8551RH, RMD8551LH
SKU: 9105705951, 9105705952
Production: 921078130, 921078249, 921078250
Release Date: 20/10/14

	Item No	Description
063A		
067	2413392008	CRISPER BOX RMD8551
067A		
202	2412096303	HINGE UPPER RH RMD8551
203	2412096402	HINGE UPPER LH RMD8551
204	2412098101	HINGE LOWER RH RMD8551
205	2412099109	HINGE LOWER LH RMD8551
207		
215D		
216		
220		
222C	2413327103	LOCK CABINET SHELF RM8501
229A	2413981305	SHELF CABINET LOWER RMD8551
229C	2413981107	SHELF CABINET UPPER RMD8551
229J	2413963105	SHELF FREEZER CABINET RMD8551
234		
240	2413267515	LOCK LIGHT NO LENS RH RM8551L SUITS P/N 921078751 / 921078762/ 921078504 / 921078505 / 9210784 / 921078405
240	2413267416	LOCK LIGHT NO LENS LH RM8551L- SUITS P/N 921078751 / 921078762/ 921078504 / 921078505 / 9210784 / 921078405
240C	890371210	LOCK STRIKER FREEZER 8551/8555 SUITS P/N 921078748 / 921078751
240C		
247		
256		
257E		
275	2951221056	CAP SCREW COVER RM5310/8501
282	2413268018	LENS LIGHT RML8551
286		
292		
306		
347B		
349	2412987303	ELEMENT HEATING FRAME RMD8551 SUITS P/N 921085794 / 921085989
350A	2890184209	DISPLAY RH MES4 RMD8551 SUITS P/N 921078751 / 921078762/ 921078504 / 921078505 / 9210784 / 921078405
350A	2890184001	DISPLAY LH MES4 RMD8551 SUITS P/N 921078751 / 921078762/ 921078504 / 921078505 / 9210784 / 921078405
350A	2890507201	PCB AND DISPLAY RMD8551 RH (T) SUITS P/N 921078748 / 921078751
350A	2890444009	PCB AND DISPLAY RMD8551 LH (T) SUITS P/N 921078748 / 921078751
350E	2890166917	COVER CABLE FZR RMD8551/555(T) SUITS P/N 921078748 / 921078751
350C		
401C	2413978202	PANEL OPERATING MES3 RMD8551 SUITS P/N 921085794 / 921085989

*** Items not listed are only available by special order**

Product Name: RMD8551

Item Code: RMD8551RH, RMD8551LH
SKU: 9105705951, 9105705952
Production: 921078130, 921078249, 921078250
Release Date: 20/10/14

	Item No	Description
474	2890237106	WIRING DIPLAY 8501/551/555 SUITS P/N 921078748 / 921078751
493	2952248819	PROBE TEMP MES4 RMD/L8551/8501
528	2412350734	HINGE MIDDLE RH RMD8551/8555 SUITS P/N 921078748 / 921078751
528	2890108216	BASE FREZ C/W PCB MES3 RMD8551
528	2412350726	HINGE MIDDLE LH RMD8551/8555
531	2890183201	BASE FREEZER RH RMD8551 MES4
531	2890404003	PANEL CONTROL COMP RH 8551 (T) SUITS P/N 921078748 / 921078751
531	2890404102	PANEL CONTROL COMP LH 8551 (T) SUITS P/N 921078748 / 921078751
531	2890183003	BASE FREEZER LH RMD8551 MES4
531A	2890369008	BASE FREEZER RMD8551 MES3 SUITS P/N 921085794 / 921085989
565J		

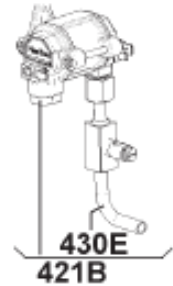
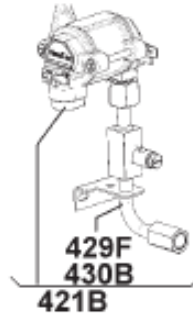
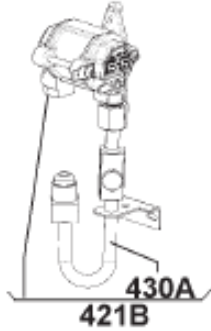
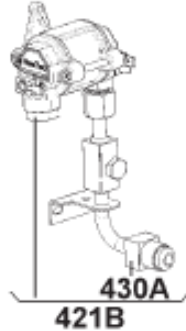
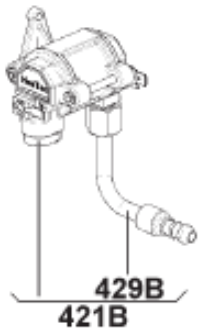
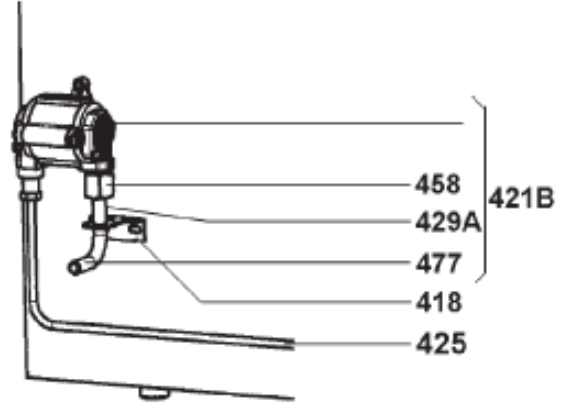
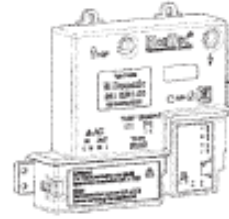
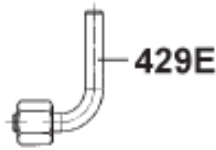
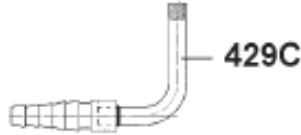
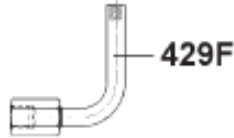
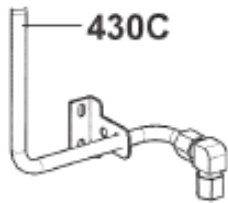
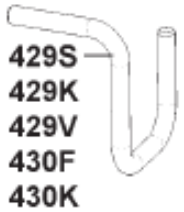
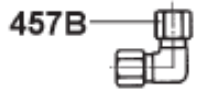
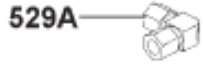
*** Items not listed are only available by special order**

Product Name: RMD8551

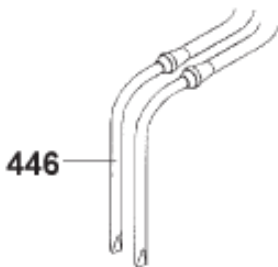
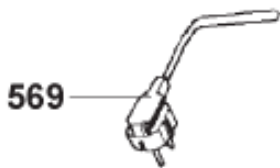


Item Code: RMD8551RH, RMD8551LH
SKU: 9105705951, 9105705952
Production: 921078130, 921078249, 921078250
Release Date: 20/10/14

**GASARMATUR
GAS EQUIPMENT**



**ELEKTROARMATUR
ELECTRO EQUIPMENT**



Product Name: RMD8551

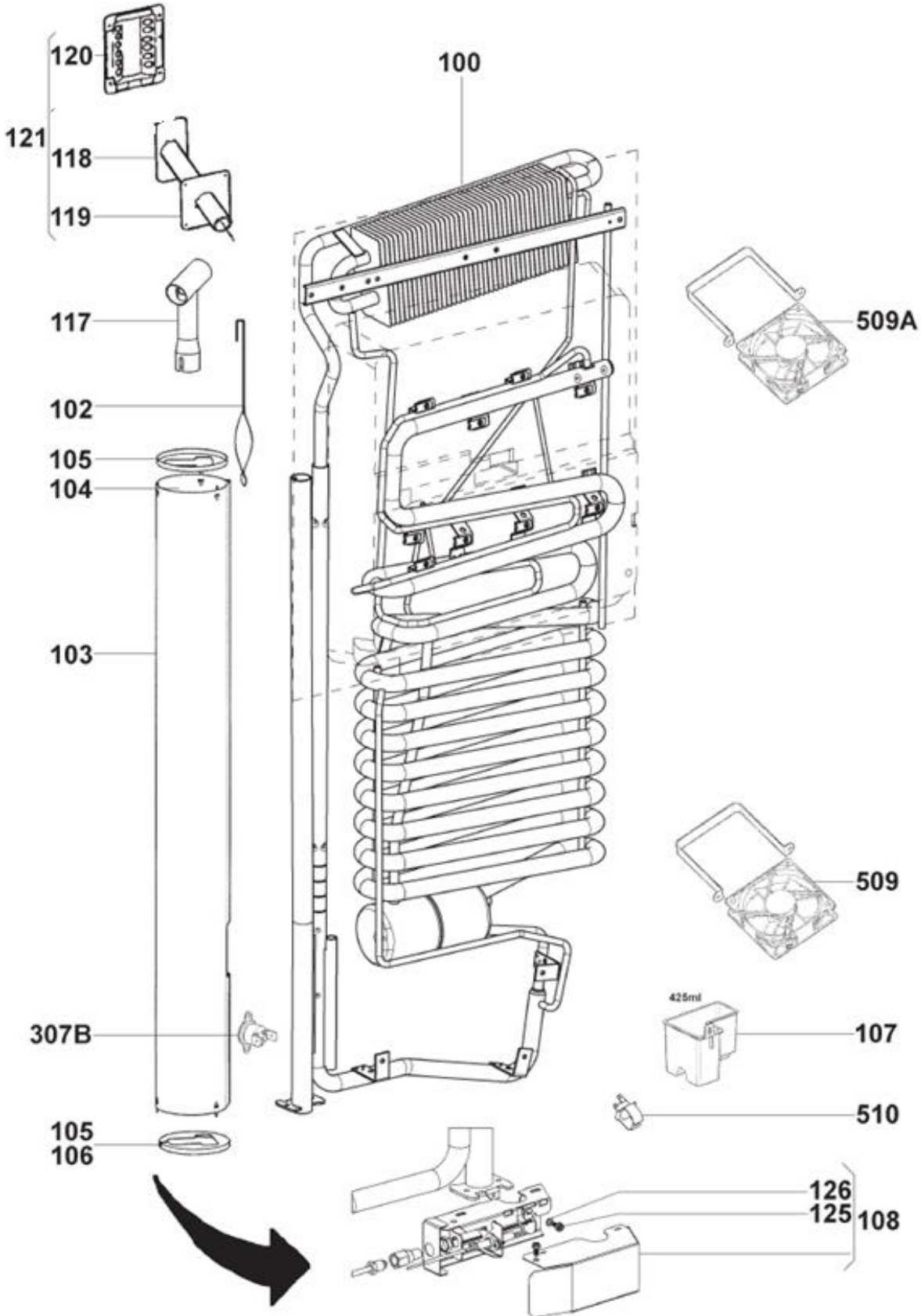
Item Code: RMD8551RH, RMD8551LH
SKU: 9105705951, 9105705952
Production: 921078130, 921078249, 921078250
Release Date: 20/10/14

	Item No	Description
521	2412789303	REIGNITER PCB 8551/8501 SUITS P/N 921085794 / 921085989
421B	2412798601	VALVE GAS RMD8551/8555 (T) SUITS P/N 921078748 / 921078751
421B	2412798353	VALVE GAS RMD8551/8501 SUITS P/N 921078751 / 921078762/ 921078504 / 921078505 / 9210784 / 921078405
425	2412593911	PIPE GAS BURNER RMD8551
430B	2413986031	UNION GAS RMD8551
446	2890170521	ELEMENT 170W 12V RMD/RML8551 SUITS P/N 921078751 / 921078762/ 921078504 / 921078505 / 9210784 / 921078405
446	2890180033	ELEMENT 190W 240V RMD/RML8551 SUITS P/N 921078751 / 921078762/ 921078504 / 921078505 / 9210784 / 921078405
446	2890209337	ELEMENT 240V 250W 8551/555(T) SUITS P/N 921078748 / 921078751
458		
477		
523A	2890189307	PCB MAIN 8501/8551/8555 SUITS P/N 921078748 / 921078751
523A	2890347038	PCB MAIN MES3 RMD8551 SUITS P/N 921078751 / 921078762/ 921078504 / 921078505 / 9210784 / 921078405
523A	2890189000	PCB MAIN MES4 RMD/L 8551/8501 SUITS P/N 921078751 / 921078762/ 921078504 / 921078505 / 9210784 / 921078405
530	2106491208	PLUG WIRING DISPLAY MES3 8551
569		
569		

*** Items not listed are only available by special order**

Product Name: RMD8551

Item Code: RMD8551RH, RMD8551LH
SKU: 9105705951, 9105705952
Production: 921078130, 921078249, 921078250
Release Date: 20/10/14



Product Name: RMD8551

Item Code: RMD8551RH, RMD8551LH
SKU: 9105705951, 9105705952
Production: 921078130, 921078249, 921078250
Release Date: 20/10/14

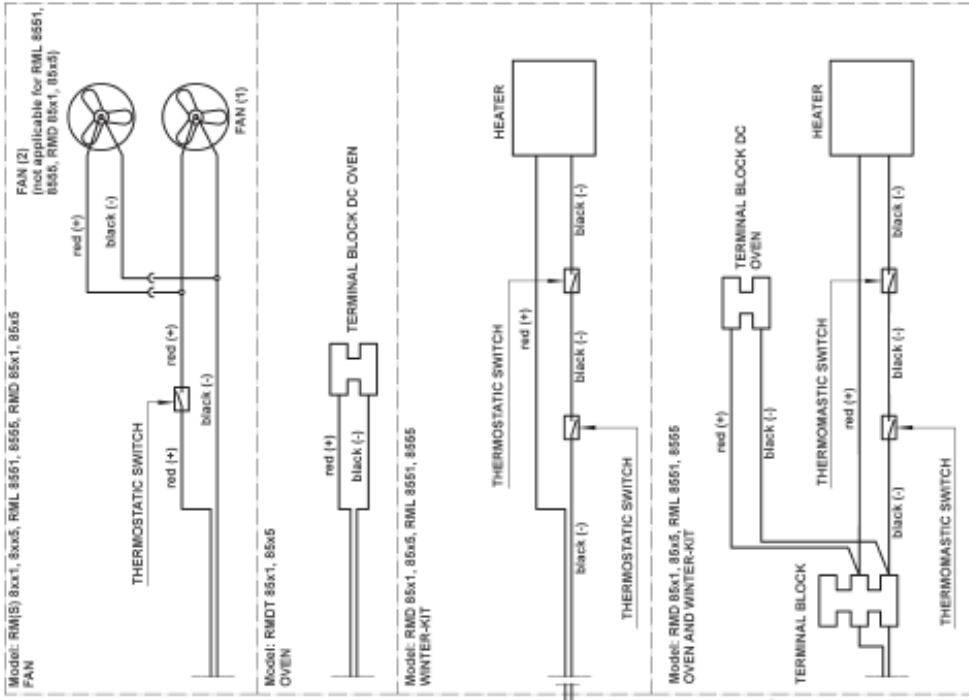
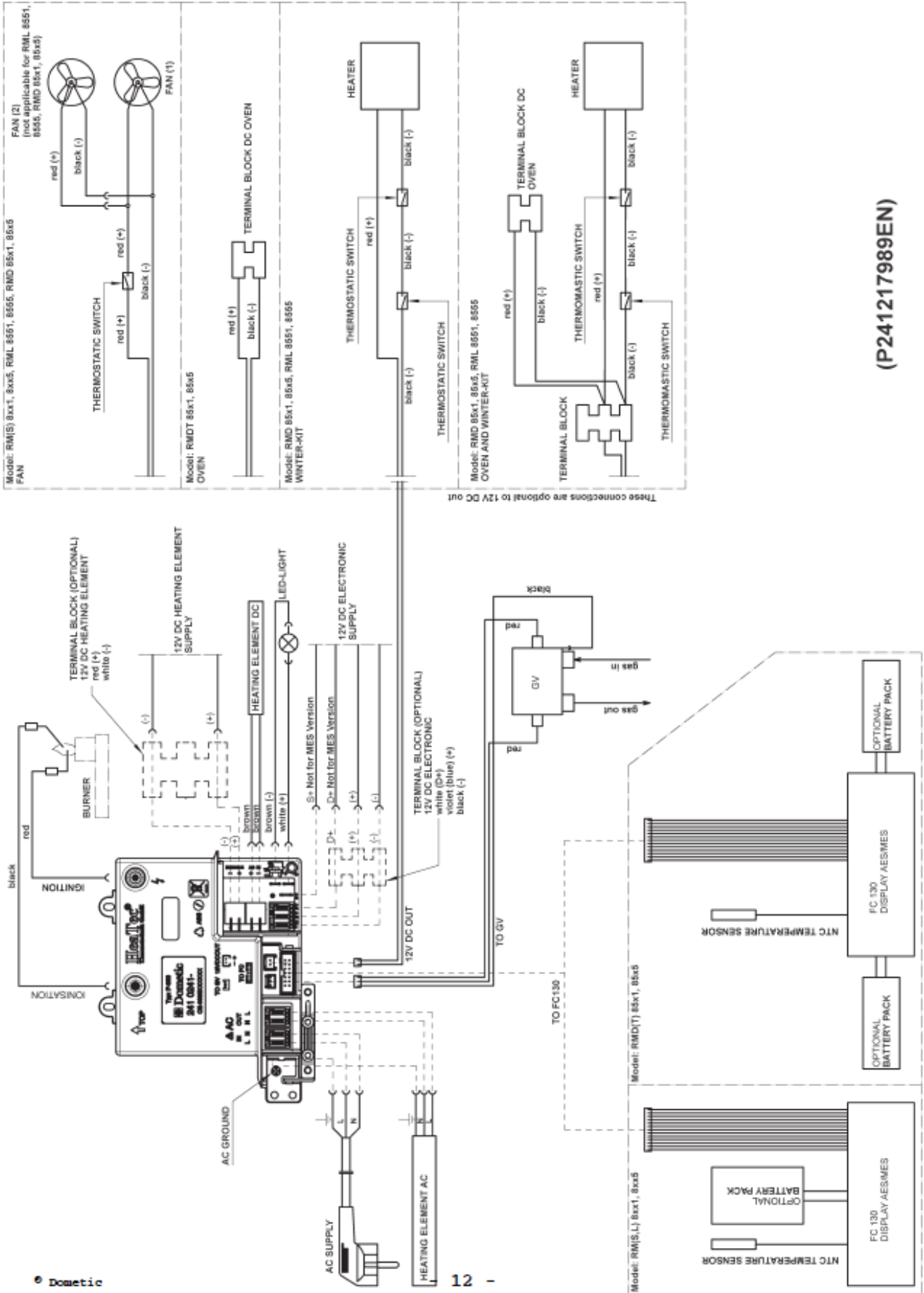
	Item No	Description
100	2890316108	COOLING UNIT RMD/RML8551 SUITS P/N 921078751 / 921078762/ 921078504 / 921078505 / 9210784 / 921078405
100	2890384197	COOLING UNIT RMD8551/8555 (T) SUITS P/N 921078751 / 921078762/ 921078504 / 921078505 / 9210784 / 921078405
102		
103		
104		
105		
106		
107		
108	2412802833	BURNER GAS RMD8551/8501 SUITS P/N 921078751 / 921078762/ 921078504 / 921078505 / 9210784 / 921078405
108	2890409994	BURNER GAS RMD8551/8555 (T) SUITS P/N 921078748 / 921078751
110		
114		
117		
120	2951055009	3776, OUTER COVER SUITS P/N 921078748 / 921078751
125		
126		
307B	3850870019	CLIXON RMD8555 (T) SUITS P/N 921078748 / 921078751
509	2106511880	FAN LOWER RMD8551/8555 (T) SUITS P/N 921078748 / 921078751
509		
509A	2106511872	FAN UPPER RMD8551/8555 (T) SUITS P/N 921078748 / 921078751
509	2106511856	FAN 12V RM8501/8551
510	2412906204	CLIXON FAN RML8551/RMDX

*** Items not listed are only available by special order**

Product Name: RMD8551



Item Code: RMD8551RH, RMD8551LH
SKU: 9105705951, 9105705952
Production: 921078130, 921078249, 921078250
Release Date: 20/10/14



These connections are optional to 12V DC out

(P241217989EN)

