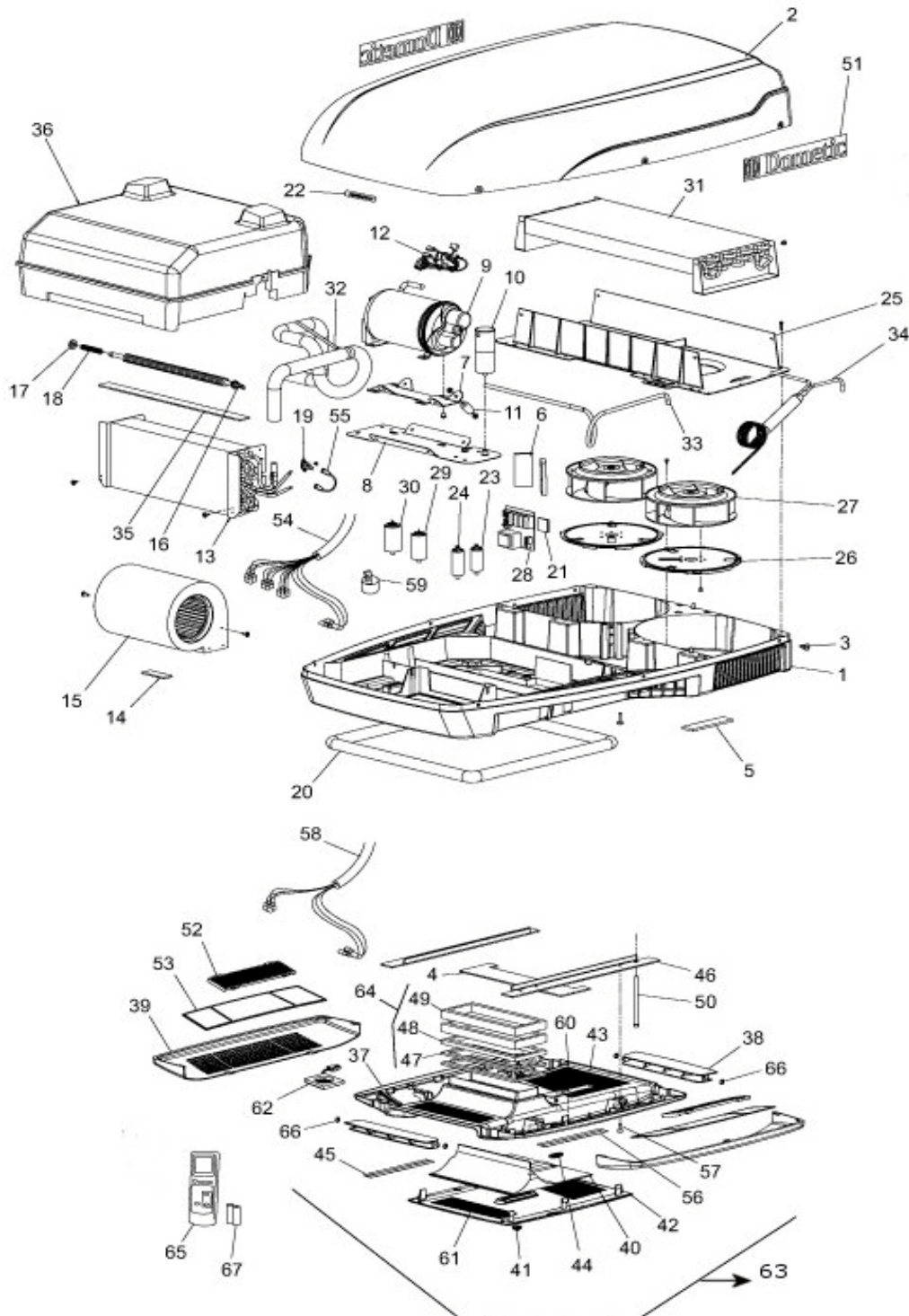


Net weight (kg) 34
 Fan speed (kW) 2
 Dimensions (LxWxH) (mm) 980 x 650 x 235
 Full Load, cooling (A) 4
 Electrical rating 230V-50 Hz
 Circuit (A /sec) 18/0.15
 Consumption, cooling mode (W) 910
 Consumption, heating mode (W) 1200
 Fuse (A) 5
 Roof cut out (mm) 400 x 400



COMPLETE APPLIANCE

1	LOWER FRAME/BASE	3862301201
2	MAIN COVER/TOP/HOOD	3862301219
3	RIVET TWO STAGE	3860160088
4	INSULATUION	3863500223
5	SEAL	3863500686
6	BOSS	3863500678
7	COMPRESSOR RETAINER	3861402489
8	RETAINER	3861402497
9	COMPRESSOR RETAINER	386740065
10	CAPACITOR	3866001385
11	DAMPING MAT	3862500661
12	COMPRESSOR WIRING HARNESS	3866001401
13	EVAPORATOR	3861900110
14	SEAL	3863500546
15	FRONT FAN ID.D2E133	3867200101
16	HEATING ELEMENT 1100W	3866001666
17	WASHER	3861000200
18	SPRING	3860500036
19	SAFETY CUT OUT/PROTECTION	3866000544
20	MAIN SEAL/GASKET	3862500224
21	ADHESIVE TAPE	3864000033
22	BADGE B2200	3868500707
23	CAPACITOR 2uF	3866001518
24	CAPACITOR	3866001674
25	AIR GUIDE	3862301318
26	VENTILATION PLATE	3862301326
27	VENTILATOR	3867200168
28	ELECTRONIC PCB ASSY	3865200335
29	CAPACITOR 7uF	3866001526
30	CAPACITOR	3866002268
31	CAPACITOR	3861900219
32	PIPE	3862701012
33	PIPE	3862701020
34	FILTER	3862701038
35	SEAL	3863500900
36	INTER COVER/HOUSING	3863501189
37	AIR DISTRIBUTOR	3862301417
38	AIR GUIDE	3862301441
39	VENT/GRATING	3862301466
40	AIR GUIDE	3862301433
41	KNOB ASSEMBLY	3862301458
42	AIR DISENSER COVER	3862301425
43	OPERATING PANEL	3865200319
44	RECEIVER COVER	3862301508
45	BADGE	3868500681
46	MOUNTING RAIL	3861403487
47	SEAL	3863500876
48	SEAL	3863500884
49	SEAL	3863500892
50	BOLT 6mm X 120mm	3860100639
51	BADGE - DOMETIC	3868500491
52	CARBON FILTER	3862301482
53	AIR FILTER	3862301474
54	MAIN WIRING HARNESS	3866002714
55	CABLE	3866002649
56	BADGE	3868500715
57	BOLT	3860100712

58	WIRING HARNESS	3866002581
59	FILTER EMC	3865200152
60	DAMPER	3863501155
61	INSULATION	3863501148
62	LED ELECTRONIC	3865200343
63	AIR DISTRIBUTION SYSTEM COMPLETE	3869002604
64	SEAL KIT COMPLETE	3869002588
65	REMOTE CONTROL	3865200327
66	O-RING	3862500174
67	BATTERIES NOT AVAILABLE	N/A

JJM28/09/07