

GB

We all want to relax and be free of worries on our holidays, that's why Thetford offer only the best products.

From mobile toilet systems, fitted refrigerators and service hatches to toilet fluids and maintenance products.

For that real holiday feeling, you can rely on Thetford.

NL

Natuurlijk wilt u graag zorgeloos op vakantie gaan. Daarom biedt Thetford u alleen de beste producten.

Van mobiele toiletssystemen, inbouwkoelkasten, service-luiken tot toiletvloestoffen en onderhouds-producten.

Voor het echte vakantiegevoel bent u bij ons aan het juiste adres!

DE

Natürlich möchten Sie gerne sorgenfrei in den Urlaub fahren, aus diesem Grunde bietet Ihnen Thetford ausgereifte Produkte von höchster Qualität.

Von mobilen Toilettensystemen über Einbaukühlschränken, Servicetüren bis hin zu Sanitärzusätzen und Pflegeprodukten.

Für ein ungetrübtes Urlaubsgefühl sind Sie bei uns in den besten Händen.

FR

Vous voulez partir l'esprit tranquille en vacances et c'est bien naturel. C'est la raison pour laquelle Thetford ne vous propose exclusivement que les meilleurs produits.

Des systèmes de WC portables aux réfrigérateurs intégrés, des portillons de service aux additifs sanitaires en passant par les produits d'entretien, vous trouverez chez Thetford tout ce qu'il vous faut pour passer de vraies vacances.

FR

Vous voulez partir l'esprit tranquille en vacances et c'est bien naturel. C'est la raison pour laquelle Thetford ne vous propose exclusivement que les meilleurs produits.

Des systèmes de WC portables aux réfrigérateurs intégrés, des portillons de service aux additifs sanitaires en passant par les produits d'entretien, vous trouverez chez Thetford tout ce qu'il vous faut pour passer de vraies vacances.

EUROPEAN HEADQUARTER
Thetford B.V.
Nijverheidsweg 29
P.O. Box 169
4870 AD Etten-Leur
The Netherlands

T +31 (0)76 5042200
F +31 (0)76 5042300
E info@thetford.eu

UNITED KINGDOM
Thetford Ltd.
Unit 6
Brookfields Way
Manvers
Rotherham
S63 5DL, England
United Kingdom

T +44 (0)844 997 1960
F +44 (0)844 997 1961
E info@thetford.eu

SCANDINAVIA
Thetford B.V.
Representative Office
Scandinavia
Hönekullavägen 13
43544 Mölnlycke
Sverige

T +46 (0)313363580
F +46 (0)31448570
E info@thetford.eu

GERMANY
Thetford GmbH
Schallbruch 14
42781 Haan
Deutschland

T +49 (0) 2129 94250
F +49 (0) 2129 942525
E: info@thetford.eu

FRANCE
Thetford S.A.R.L.
Bâtiment Le Califormie
11, Rue Rosa Luxembourg
CS 40204 Eragny sur Oise
95614 Cergy Pontoise
Cedex
France

T +33 (0)1 30 37 58 23
F +33 (0)1 30 37 97 67
E info@thetford.eu

ITALY
Thetford Italy c/o Tecma s.r.l.
Via Flaminia
Loc. Castel delle Formiche
05030 Otricoli (TR)
Italia

T +39 0744 709071
F +39 0744 719833
E info@thetford.eu

SPAIN AND PORTUGAL
Mercè Grau Solà
Agente para España y Portugal
C/Libertat
103-105 Baixos
08800 Vilanova i la Geltrú
Barcelona
España

T +34 (9) 3815 4389
F +34 (9) 3181 9339
E info@thetford.eu

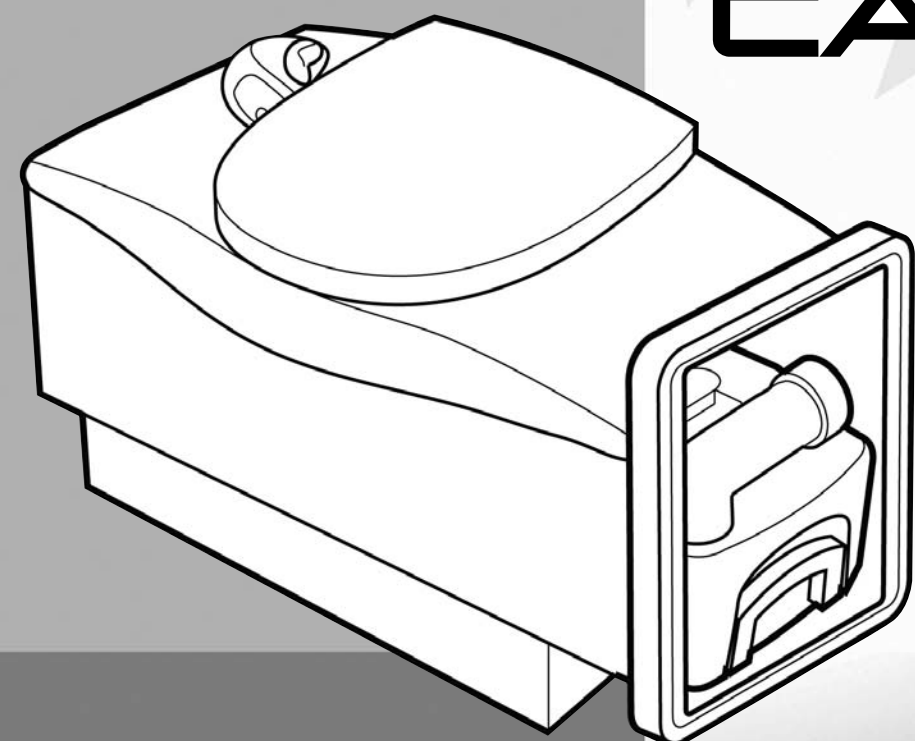
AUSTRALIA
Thetford Australia Pty. Ltd.
41 Lara Way
Campbellfield VIC 3061
Australia

T +61 (0)3 9358 0700
F +61 (0)3 9357 7060
E info@thetford.eu

Thetford is not responsible for printing errors and reserves the right to make changes to product specifications without notice.

www.thetford-europe.com

322201212-V01



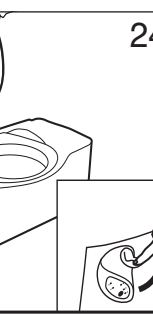
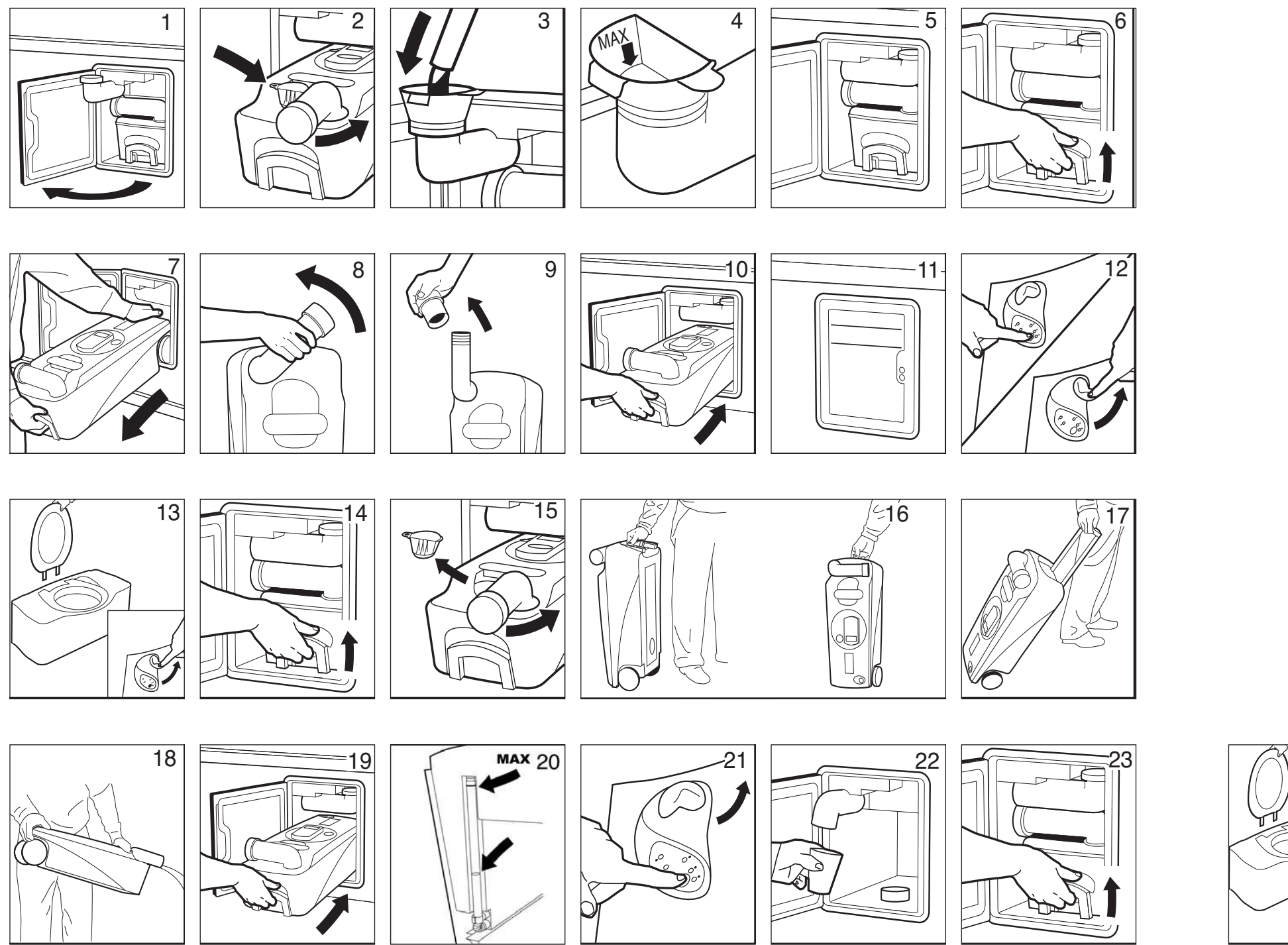
THETFORD
CASSETTE

C-402C / X
C-403L

GB • FR • SE • ES • DK • DE • NL • IT • PT • NO • FI • SI

CASSETTE C-402C / C-402X / C-403L

GB	-	Instructions for use	1
FR	-	Notice d'utilisation	3
SE	-	Bruksanvisning	5
ES	-	Instrucciones de manejo	7
DK	-	Brugervejledning	9
DE	-	Gebrauchsanweisung	11
NL	-	Gebbruiksaanwijzing	13
IT	-	Istruzioni per l'uso	15
PT	-	Instruções de utilização	17
NO	-	Brukerveiledning	19
FI	-	Käyttöohje	21
SI	-	Navodila za uporabo	23



THETFORD

Model : _____

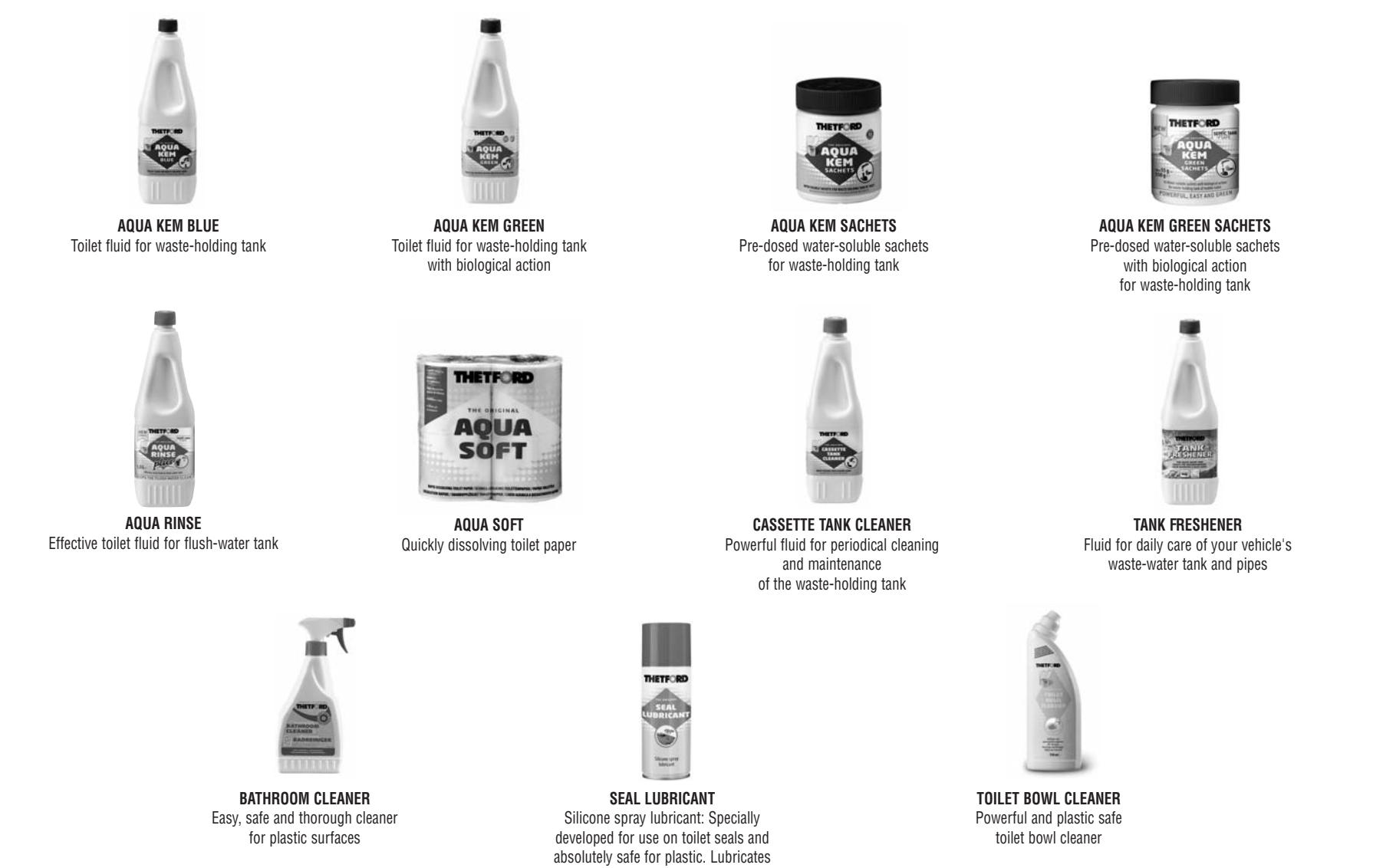
No. : _____

Code : _____

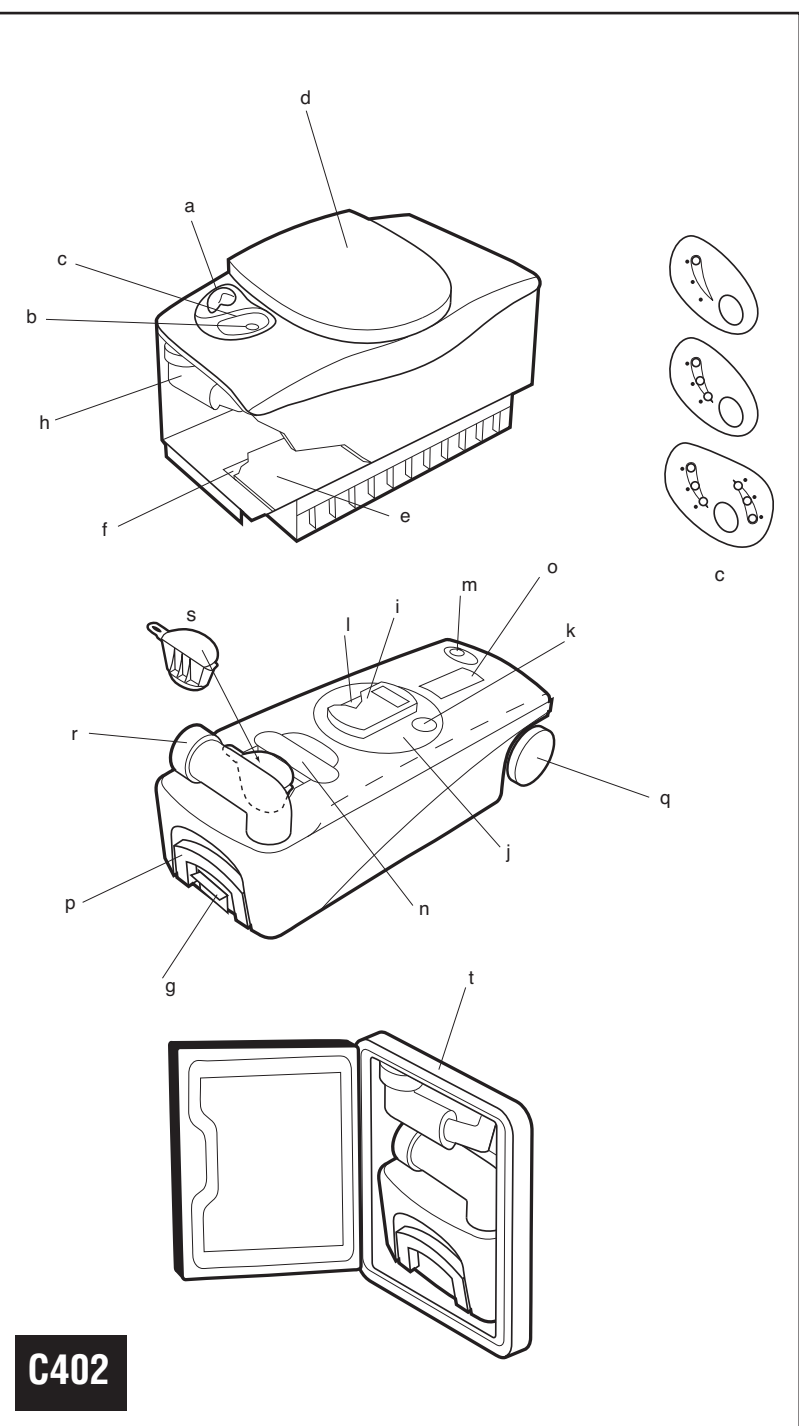
- Please fill in the model, number and code of your toilet above
- Complétez ci-dessus le modèle, le numéro et le code de votre toilette.
- Fyll här ovan in modell, nummer och kod på din toalett.
- Indique arriba el modelo, número y código de su inodoro.
- Udfyld ovenfor modellen, nummeret og koden på Deres toilet.
- Tragen Sie hierüber das Modell, die Nummer und den Code Ihrer Toilette ein.
- Vul hierboven het model, nummer en de code van uw toilet in.
- Compilare qui sopra il modello, il numero ed il codice della propria toilette.
- Preencha aqui o modelo, número e código da sanita que adquiriu.
- Fyll inn modell, nummer og koden til ditt toalett ovenfor.
- Kirjoita yllä olevaan tilaan käymäläsi malli, numero ja koodi.
- Prosim vnesite model, številko in kodo Vašega stranišča.

Flush water tank contents Contenu du réservoir de chasse Volym spottank Contenido del depósito de agua de lavado Indhold skyllevandstank Inhalt Frischwassertank Inhoud spoelwatertank Volume del serbatoio dell'acqua pulita Capacidade da caixa de descarga de água Innhold ferskvannstanken Huuhteluvesisäiliön sisältö Vsebinskotlička	Waste tank contents Contenu du réservoir à matières Volym avfallstank Contenido del depósito de residuos Indhold opsamlingsstank Inhalt Abwassertank Inhoud afvaltank Volume del serbatoio di scarico Capacidade do depósito de dejectos Innhold avfallstanken Jättesäiliön sisältö Vsebinska posode za fekalije
15,0 L	19,3 L

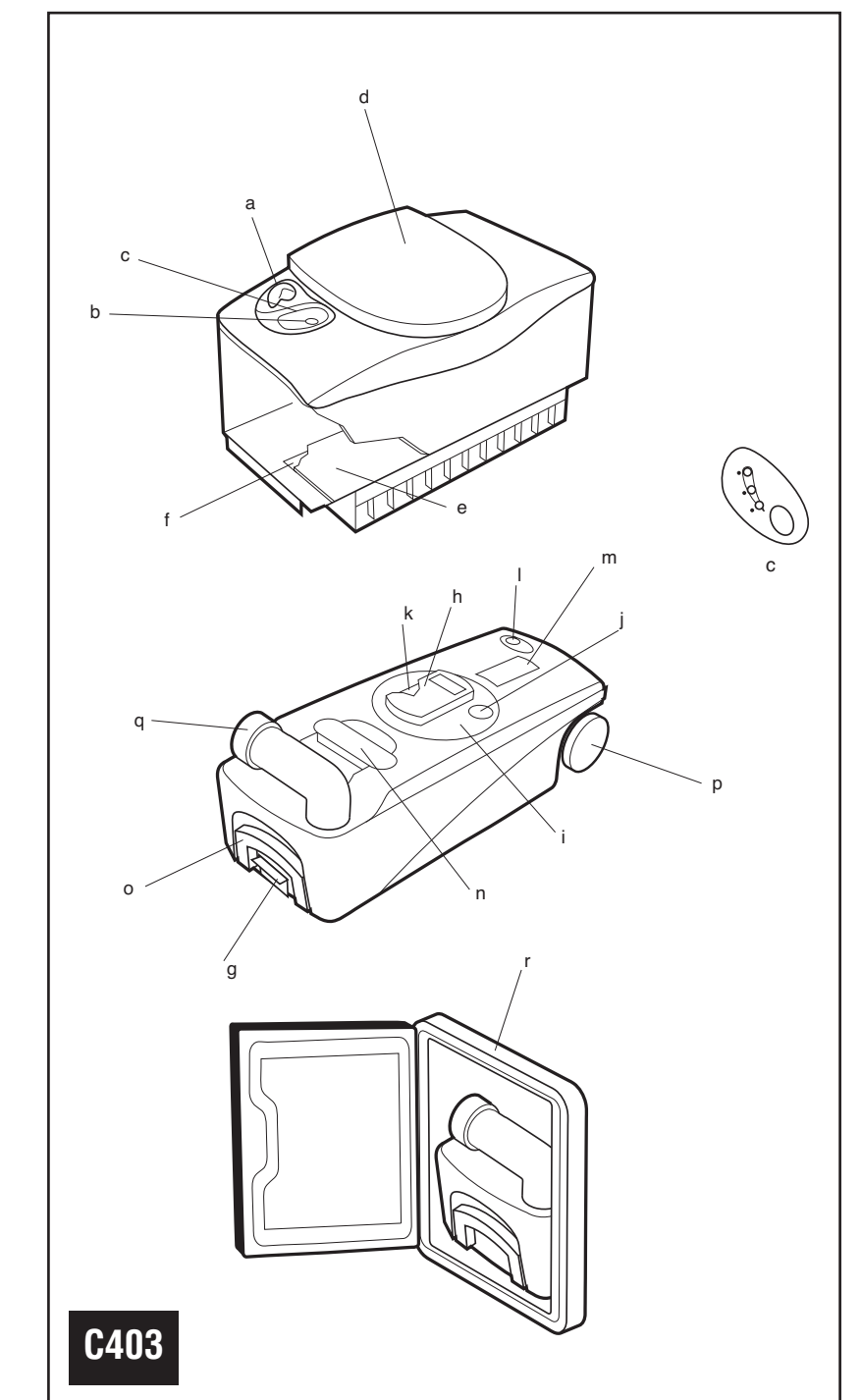
THETFORD ADDITIVES:



For more information about our products, please visit www.thetford-europe.com (for Europe), www.thetford.com (USA/Canada), or www.thetford.com.au (Australia). Product range may vary per country.



C402



C403

GB Instructions for use

These operating instructions cover Thetford cassette toilet models C-402C, C-402X and C-403L. There are a few differences in the use of these models. Make sure that you follow the instructions that apply to your toilet model.

The parts and functions that are referred to by letters are illustrated on the fold-out at the back of these operating instructions.

The actions to be taken, referred to by numbers, are illustrated on the fold-out at the front of these operating instructions.

PARTS AND FUNCTIONS C-402C AND C-402X

- a. Handle: opens and shuts the valve blade.
- b. Flush knob: when this is pressed, an electric pump fills the bowl with water.
- c. Level indicator display: the red LED on the display lights up when the waste tank is full (C-402C and C-402X). When the flush knob is pressed briefly, the display shows the level in the waste tank and the level in the water tank (C-402X).
- d. Removable seat and cover.
- e. Cover plates.
- f. Storage compartment for toilet fluids (only the tall model).
- g. Safety catch: holds the waste tank in place.
- h. Water filling funnel: for easy filling of the water tank.
- i. Cover: guarantees optimal hygiene. Opens when the waste tank is located in the toilet and closes when the waste tank is removed.
- j. Removable mechanism.
- k. Valve blade opener.
- l. Valve blade / valve seal.
- m. Vent plunger: for emptying without splashing.
- n. Upper handle.
- o. Automatic pressure release vent: ventilates the waste tank when this is located in the cassette toilet. Avoids excessive pressure in the waste tank.
- p. Pull-out handle: for easy transport of the waste tank.
- q. Wheels.
- r. Rotating emptying spout: ensures that the waste tank can be easily and hygienically emptied.
- s. Water filling extension.
- t. Access hatch to waste tank and water filling funnel: lockable from the outside of the vehicle.

C-403L PARTS AND FUNCTIONS

- a. Handle: opens and shuts the valve blade.
- b. Flush knob; when pressed a central electric pump in the vehicle pumps water into the bowl.
- c. Level indicator display: the red LED on the display lights up when the waste tank is full. When the flush knob is pressed briefly, the display shows the level in the waste tank.
- d. Removable seat and cover.
- e. Cover plates.

- f. Storage compartment for toilet fluids (only the tall model).
- g. Safety catch: holds the waste tank in place.
- h. Cover: guarantees optimal hygiene. Opens when the waste tank is located in the toilet.
- i. Removable mechanism.
- j. Valve blade opener.
- k. Valve blade / valve seal.
- l. Vent plunger: for emptying without splashing.
- m. Automatic pressure release vent: ventilates the waste tank when this is located in the cassette toilet. Avoids excessive pressure in the waste tank.
- n. Upper handle: for easy emptying.
- o. Pull-out handle: for easy transport of the waste tank.
- p. Wheels.
- q. Rotating emptying spout: ensures that the waste tank can be easily and hygienically emptied.
- r. Access hatch to waste tank: lockable from the outside of the vehicle.

INTRODUCTION

The Thetford cassette toilet is a high quality product. The functional design combines modern styling and ease of use and the toilet forms an integrated part of your caravan or camper bathroom. The Cassette toilet is manufactured from high quality synthetic material. This makes it a durable, user & maintenance friendly toilet.

The toilet is made up of two parts: a permanently fixed part and a waste tank that is accessible from the outside. The removable waste tank is located under the toilet bowl and can be removed via a door on the outside of the caravan or camper.

The Thetford Cassette toilet is the solution to the sanitary problem in your caravan or camper!

PREPARING FOR USE C-402C, C-402X AND C-403L

1. Open the access door on the outside of your caravan or camper.
- C-402C AND C-402X**
2. Rotate the waste tank emptying spout 90 degrees and remove the water filling extension (you will find it positioned beneath the handle closest to the emptying spout).
3. Rotate the waterfill funnel outwards, remove the cap and place the extension on the waterfill funnel. Add the stated amount of Thetford fresh water additive to the water tank. This ensures a better and cleaner flush and keeps the water in the flush tank fresh.
4. Fill the water tank with clean water. Warning: keep water level below the top of the water filling funnel.
5. Remove the extension and return to its original position on the waste tank.
Note: depending on the space between the door and waste tank, this extension part may also be fixed on the door with a hook. Screw the cap back onto the water filling funnel and push back inwards towards the side of the flush water tank.
Note: 150 ml of water will remain in the waterfill funnel when the water tank is empty.

C-402C, C-402X AND C-403L

6. Remove the waste tank by pulling the safety catch upwards.
7. Pull the waste tank outward to the stop. Tip it slightly and take the tank fully out.
8. Place the tank upright and turn the emptying spout upwards.
9. Remove the cap, with the measuring cup inside, from the emptying spout and pour the stated quantity of toilet fluid into the waste tank. This avoids unpleasant smells in the waste tank and keeps the inside of the waste tank clean. Next add approximately 2 litres of water - enough to ensure that the bottom of the waste tank is covered. Screw the cap back onto the emptying spout. Turn the emptying spout back to its original position.
N.B.: The emptying spout measuring cap is supplied in the same packaging as this manual.
Warning! Never add toilet fluid via the valve blade or via the toilet bowl.
10. Slide the waste tank back into its original position via the access door.
Note! Never use force if you cannot get the tank back into place easily. This may cause serious damage.
11. Make sure that the waste tank is secured with the safety catch. Shut the access door and lock it.

USE C-402C, C-402X AND C-403L

12. Run water into the bowl by pressing the flush knob briefly or open the valve blade by turning the handle anti-clockwise. Your Thetford toilet is now ready for use.
13. After use, open the valve blade (if still closed) by turning the handle anti-clockwise. Flush the toilet by pressing the flush knob for several seconds. **TIP!** The flush of your toilet will be more effective if you pulsate the flush by pressing the flush button several times in a row. Close the valve blade after use.
Note! Do not leave water in the bowl if the toilet is not being used. This does not help to reduce unpleasant smells and only leads to flooding.
Note! To prevent clogging, we recommend using Aqua Soft, Thetford's quickly dissolving toilet paper.

Important Warning Notice! Please do not travel with a flush water tank that is too full (we advise empty, but for sure not filled more than half-full). Do not travel with water in the toilet bowl. Failure to adhere to this notice may result in water damage to your caravan or motor home. Please avoid to travel with a waste-holding tank that is more than 3/4 full. This may cause leakage through the venting system.

EMPTYING

The waste tank has a capacity of 19 litres and must be emptied at the latest when the red light in the level display lights up. The indicator lamp will light up when the waste tank can still take about 2 litres, which is about 3 uses. It is advisable to empty the waste tank earlier.
Note! Do not allow the waste tank to become too full.

C-402C, C-402X AND C-403L

14. Make sure that the valve blade is closed. Open the access door located outside the vehicle. Pull the safety catch upwards and

remove the waste tank.

15. Remove the water filling extension first to avoid it will getting lost during emptying of the waste tank.
16. Stand the waste tank upright (Pull-out handle at the top, wheels at the bottom). Press the handle down and move it away from the waste tank until it snaps out of its locked position.
17. Pull the handle up and wheel the waste tank to an authorised waste dump.
18. Push the handle back. Turn the emptying spout upwards and remove the cap from the spout. Hold the waste tank by the upper handle with one hand, while placing your other hand by the rear handle so that during emptying you can operate the vent plunger with your thumb. To empty the tank without splashing, depress the vent plunger while emptying the tank.
After emptying, flush the tank thoroughly with water. Also clean the valve blade with water.
Note! The vent plunger should only be pressed once the emptying spout is pointing downwards!
19. If required make the toilet ready for use once again. Return the water filling extension to its original position on the waste tank. Slide the waste tank into the toilet and close the access door.

STORAGE

It is important that you follow the instructions below if you do not expect to use the Thetford toilet for a long period.

Completely empty the water tank through the drain tube, which also serves as a level indicator. Take the drain tube out of the clamp and carefully pull it downwards from the upper plug. Direct the drain tube out through the access door opening to allow water to flow out. Afterwards, be sure the drain tube is placed back into the clamp first and then pushed back into the upper plug.

C-403L

Drain the central water system of the caravan or camper.

C-402C, C-402X AND C-403L

20. Open the valve blade by turning the handle on the toilet anti-clockwise. Press the blue knob until water stops flowing into the bowl. Close the valve blade.

C-402C AND C-402X

21. Open the access door on the outside of your caravan or camper and turn the water filling funnel outwards. Remove the cap and empty the water filling funnel by turning it a quarter turn anti-clockwise.

C-402C, C-402X AND C-403L

22. Remove the waste tank and empty this at an authorised waste dump. Follow the instructions for cleaning and maintenance.
23. Replace the waste tank and open the valve blade by moving the handle on the toilet to the left.

CLEANING AND MAINTENANCE

The toilet should be cleaned and maintained regularly, depending on the amount of use. To clean Thetford toilets, we advise using water and

Thetford Bathroom Cleaner & Thetford Toilet Bowl Cleaner.

Note. Never use bleach, vinegar or other powerful household cleaners that contain these substances. These may cause permanent damage to the seals and other toilet components.

Toilet Bowl

- Squirt Thetford Toilet Bowl Cleaner into the toilet bowl and use Thetford Bathroom Cleaner for the outside of the toilet. Read the product instructions before use.
- Flush the toilet bowl with water and wipe down the rest of the toilet with a damp cloth.
- Clean seat and cover. The seat and cover can easily be removed: Lift the seat and cover assembly and pull the round pins (inside the assembly) outwards from the pin holes. After cleaning, replace the seat and cover by positioning the round pins in front of the pin holes and push the lid and seat downwards.
- To keep your flush water fresh and to prevent deposits from forming in your toilet bowl, add a correct dosage of Aqua Rinse in your flush-water tank, if present, on your toilet.

Tip! For a really shining toilet, dry with a soft dry cloth after cleaning.

Waste tank

Next to using Thetford's Cassette Tank Cleaner, the powerful cleaning agent for the periodical cleaning of the waste-holding tank of your toilet, we suggest the following:

- Remove the mechanism from the waste tank by turning it anti-clockwise, as shown on the waste tank. Rinse the complete mechanism under a tap.
- Remove the cover plate from the automatic pressure release vent by prising it up using a screwdriver. Use one hand to push the automatic pressure release vent open, while holding the float of the automatic pressure release vent on the inside of the tank with the other hand. Push the float upwards, turn the float a half turn and remove it from below. Remove the rubber seal that is under the float. Rinse the float and rubber seal under a tap. Replace the rubber seal and the float for the automatic pressure release vent in the same way.

The rubber seals in the toilet (the valve blade seal, the mechanism seal, the automatic pressure release vent seal and the cap seal) should be regularly treated with Thetford High Grade Seal Lubricant. This will ensure that the seals remain supple and in good condition. If the toilet is not to be used for any length of time, it is important to treat the seals with Thetford High Grade Seal Lubricant after cleaning.

Note! Never use Vaseline or any vegetable oil except olive oil. These may cause leakage.

N.B. The valve blade seal is a part of the toilet that is subject to wear. Depending on the extent and manner of service, after a certain period the seal will become less effective and must be replaced.

WINTER OPERATION

You can use your Thetford cassette toilet as usual in cold weather, as long as the toilet is situated in a heated location. If this is not the case there is a risk of freezing. In that case we advise that the toilet is drained by following the instructions under 'Storage'.

For environmental reasons the use of antifreeze, such as that used in a car radiator, is not advised.

THETFORD WARRANTY

Thetford B.V. offers the end users of its products a three-year guarantee. In the case of defects within the guarantee period Thetford will replace or repair the product. In this instance, the costs of replacement, labour costs for the replacement of defective components and/or the costs of the parts themselves will be paid by Thetford.

1. To claim under this guarantee, the user must take the product to a Service Centre recognised by Thetford. The claim will be assessed there.
2. Components replaced during repair under guarantee become the property of Thetford.
3. This guarantee does not prejudice current consumer protection law.
4. This guarantee is not valid in the case of products that are for, or are used for, commercial purposes.
5. Guarantee claims falling into one of the following categories will not be honoured:

- the product has been improperly used or the instructions in the manual have not been followed;
- the product has not been installed in accordance with the instructions;
- alterations have been made to the product;
- the product has been repaired by a Service Centre not recognised by Thetford;
- the serial number or product code has been changed;
- the product has been damaged by circumstances outside the normal use of the product.

CUSTOMER SERVICE

Please visit our web site if you require further information or have questions about your toilet, www.thetford-europe.com. The information available includes frequently asked questions, problems and solutions, instructions for repair, tips and a list of Thetford dealers near you. If you still have questions or remarks, please contact the Customer Service Department in your country (see the addresses at the back of this manual).

LIABILITY

Thetford is not liable for loss and/or damage caused directly or indirectly by use of the toilet.

FR Notice d'utilisation

Cette notice d'utilisation concerne les modèles de toilettes à cassette Thetford C-402C, C-402X et C-403L. Ces modèles diffèrent légèrement. Veuillez donc bien suivre ces instructions. Les pièces de rechange et les fonctions, désignées par des lettres, sont présentées sur une page à rabat à la fin de cette notice d'utilisation. Les manipulations à effectuer, désignées par des chiffres, sont présentées sur une page à rabat au début de cette notice d'utilisation.

PIECES ET FONCTIONS DES TOILETTES C-402C ET C-402X

- a. Poignée de commande : pour l'ouverture et la fermeture du clapet.
- b. Commande de rinçage : commande le rinçage de la cuvette avec de l'eau par le biais d'une pompe électrique.
- c. Indicateur de niveau : lorsque le réservoir à matières est plein, la diode rouge s'allume sur l'affichage (C-402C et C-402X). En appuyant brièvement sur la commande de rinçage, l'affichage montre le niveau dans le réservoir à matières C et le niveau d'eau dans le réservoir d'eau (C-402X).
- d. Siège et couvercle amovibles.
- e. Couvercle.
- f. Compartiment de stockage pour additifs sanitaires (uniquement pour le modèle haut).
- g. Patte de verrouillage : maintient la cassette en position bloquée.
- h. Pré-réservoir de remplissage d'eau pour permettre un remplissage aisé de l'eau fraîche.
- i. Couvercle coulissant : s'ouvre et se referme automatiquement en introduisant ou en retirant le réservoir à matières. Garantit une hygiène optimale.
- j. Mécanisme amovible.
- k. Commande de l'ouverture du clapet.
- l. Clapet/joint d'étanchéité du clapet.
- m. Bouton-poussoir de prise d'air. Assure une vidange sans risque d'éclaboussure.
- n. Poignée supérieure de transport.
- o. Event automatique : assure l'aération du réservoir à matières une fois celui-ci inséré dans les toilettes à cassette. Cet événement prévient toute surpression dans le réservoir à matières.
- p. Poignée coulissante : facilite le transport du réservoir à matières.
- q. Roulettes.
- r. Bras de vidange orientable permettant de vidanger la cassette plus aisément.
- s. l'extension de remplissage d'eau.
- t. Portillon d'accès. Fermeture à clef par l'extérieur du véhicule.

PIECES ET FONCTIONS DES TOILETTES C-403L

- a. Poignée de commande : pour l'ouverture/la fermeture du clapet.
- b. Commande de rinçage : commande le rinçage de la cuvette avec de l'eau par le biais de la pompe électrique centrale du véhicule.
- c. Indicateur de niveau : lorsque le réservoir à matières est plein, la diode rouge s'allume sur l'affichage. En appuyant brièvement sur la commande de rinçage, l'affichage montre le niveau dans le réservoir à matières.
- d. Siège et couvercle amovibles.
- e. Couvercles.

- f. Compartiment de stockage pour additifs sanitaires (uniquement pour le modèle haut).
- g. Patte de verrouillage maintenant la cassette en position bloquée.
- h. Couvercle coulissant : s'ouvre lorsque le réservoir à matières est introduit dans les toilettes. Garantit une hygiène optimale.
- i. Mécanisme amovible.
- j. Commande de l'ouverture du clapet.
- k. Clapet/joint d'étanchéité du clapet.
- l. Bouton-poussoir de prise d'air. Assure une vidange sans risque de projections.
- m. Event automatique: assure l'aération du réservoir à matières une fois celui-ci inséré dans les toilettes. Cet événement prévient toute surpression dans le réservoir à matières.
- n. Poignée supérieure de transport : facilite la vidange.
- o. Poignée coulissante: facilite le transport du réservoir à matières.
- p. Roulettes.
- q. Bras de vidange orientable permettant de vidanger la cassette plus aisément.
- r. Portillon d'accès. Fermeture à clef par l'extérieur du véhicule.

INTRODUCTION

Vous venez d'acquérir des toilettes à Cassette Thetford, un produit de qualité. La conception fonctionnelle de ce produit permet d'allier modernisme et aisance d'utilisation. Ces toilettes s'intègrent parfaitement au décor du cabinet de toilettes de votre véhicule de loisirs. Ces toilettes à cassette sont fabriquées à partir de plastiques de haute qualité facilitant le nettoyage et l'entretien.

Les toilettes se composent de deux parties : une partie montée de façon permanente et un réservoir à matières amovible accessible depuis l'extérieur. Le réservoir à matières se trouve sous la cuve des toilettes et est accessible en ouvrant le portillon aménagé dans la cloison du véhicule.

MISE EN SERVICE

C-402C, C-402X ET C-403L

1. Ouvrez le portillon d'accès sur le côté du véhicule.

C-402C ET C-402X

2. Tournez le tuyau de vidange du réservoir à matières de 90 degrés et retirez l'extension de remplissage d'eau (elle se situe sous la poignée à proximité directe du tuyau de vidange).
3. Tournez l'entonnoir de remplissage d'eau vers l'extérieur, retirez le bouchon et placez l'extension sur l'entonnoir de remplissage d'eau. Ajoutez la quantité indiquée d'additif sanitaire Thetford au réservoir à matières. Ceci pour améliorer la qualité et la propreté de la chasse et garantir la fraîcheur de l'eau dans le réservoir de chasse.
4. Remplissez le réservoir d'eau propre.
Attention : le niveau d'eau doit se situer en dessous de la partie supérieure de l'entonnoir de remplissage d'eau.
5. Retirez l'extension et remettez-la dans sa position initiale sur le réservoir à matières.
Remarque : En fonction de l'espace disponible entre la porte et le réservoir à matières, cette pièce d'extension peut également être fixée à la porte au moyen d'un crochet. Révissez le bouchon sur l'entonnoir de remplissage d'eau et poussez vers l'intérieur en direction du côté du réservoir de chasse.
Remarque : 150 ml d'eau resteront dans l'entonnoir de remplissage d'eau lorsque le réservoir d'eau est vide.

C-402C, C-402X ET C-403L

6. Tirez vers la haut la patte de verrouillage pour débloquer la cassette (réservoir à matières).
7. Tirez la cassette tout droit pour l'enlever. Lorsque la cassette touche la butée, inclinez-la légèrement vers le bas et retirez-la.
8. Posez la cassette en position verticale et faites pivoter le bras orientable vers le haut.
9. Dévissez le bouchon (doseur) du bras de vidange et versez dans celui-ci la quantité conseillée d'additif sanitaire pour réservoir à matières. Ce produit combat les odeurs désagréables et garantit la propreté du réservoir à matières. Puis ajoutez environ 2 litres d'eau afin de recouvrir le fond de la cassette. Révissez le bouchon (doseur) sur le bras orientable. Remplacez le bras orientable dans sa position d'origine.
N.B : A la livraison, le bouchon du bras de vidange se trouve dans le même emballage que cette notice d'utilisation.
Avertissement ! N'ajoutez jamais d'additif sanitaire directement par le clapet ou la cuvette car ceci peut endommager le joint de clapet. L'additif se mélange directement à l'eau dans le réservoir à matières.
10. Remplacez le réservoir à matières, extrémité avec bras orientable vers l'extérieur, par le portillon d'accès.
Attention ! Ne forcez jamais en introduisant le réservoir à matières dans son logement. Vous risquez en effet de l'endommager irrémédiablement.
11. Assurez-vous que la cassette est bien verrouillée par la patte de verrouillage. Fermez le portillon d'accès et verrouillez-le.

FONCTIONNEMENT ET UTILISATION C-402C, C-402X ET C-403L

12. Faites couler de l'eau dans la cuvette en appuyant brièvement sur la poignée de commande de rinçage de manière à ajouter de l'eau dans la cuvette ou actionnez l'ouverture de clapet en tournant la poignée de commande vers la gauche. Vous pouvez à présent utiliser vos toilettes Thetford.
13. Après utilisation, ouvrez le clapet (s'il est encore fermé) en faisant pivoter vers la gauche la poignée de commande. Vous pouvez rincer les toilettes en appuyant quelques secondes sur le bouton de rinçage. **ASTUCE** ! L'évacuation de vos toilettes sera plus efficace si vous faites pulser le flux d'eau en appuyant plusieurs fois d'affilée sur le bouton de la chasse d'eau. Fermez le clapet après l'utilisation.
Attention ! Ne laissez pas d'eau dans la cuvette lorsque vous n'utilisez pas les toilettes. Cela ne contribue en rien à réduire les odeurs désagréables et ne peut qu'entraîner des débordements.
Remarque ! Pour prévenir toute obstruction des toilettes, nous recommandons le papier hygiénique Thetford, Aqua Soft, à dissolution rapide.
Mise en garde importante! Lors de vos déplacements, assurez-vous que le réservoir d'eau propre n'est pas trop plein (nous vous conseillons de le vider complètement, ou au moins de veiller à ce qu'il ne soit pas rempli à plus de moitié). De même, pendant les déplacements, la cuvette ne doit pas contenir d'eau. Le non-respect de ces consignes peut déboucher sur des dégâts dus à l'eau dans votre caravane ou camping-car. Veuillez éviter de circuler avec un réservoir à déchets plein à plus de 3/4. Cela risque de provoquer des fuites dans le circuit de mise à l'air libre.

VIDANGE DE LA CASSETTE

La cassette a une capacité de 19 litres, elle doit être vidée lorsque

l'indicateur de niveau s'allume en rouge. Cet indicateur s'allume lorsque la cassette contient encore 2 litres environ, représentant environ 3 utilisations. Il est recommandé de vidanger plus tôt la cassette.

Attention ! Ne laissez pas le réservoir à matières se remplir outre mesure.

C-402C, C-402X ET C-403L

14. Veillez à fermer le clapet. Ouvrez le portillon à l'extérieur du véhicule. Tirez la patte de verrouillage vers le haut et enlevez le réservoir à matières.
15. Commencez par retirer l'extension de remplissage d'eau afin d'éviter qu'elle ne soit perdue pendant la vidange du réservoir à matières.
16. Placez le réservoir à la verticale (poignée coulissante en haut et roulettes en bas). Poussez la poignée vers le bas et déplacez-la du réservoir à matières de façon à le libérer du verrouillage.
17. Tirez la poignée vers le haut et transportez le réservoir à matières vers une aire de vidange prévue à cet effet.
18. Repoussez la poignée. Tournez le bras orientable vers le haut et dévissez le bouchon de bras orientable. Saisissez la cassette d'une main par la poignée du haut et de l'autre main la poignée arrière de sorte que le bouton prise d'air puisse se commander avec le pouce. Appuyez sur le bouton de prise d'air en vidant le réservoir. On évite ainsi les éclaboussures. Une fois vidé, rincez le réservoir à l'eau claire. Rincez également le clapet à l'eau claire.
Attention ! N'appuyez sur le bouton de prise d'air qu'une fois le bras orientable dirigé vers le bas.
19. Si la situation l'exige, remettez le WC en service. Remplacez l'extension de remplissage d'eau dans sa position initiale sur le réservoir à matières. Glissez le réservoir à matières dans le WC et fermez la porte d'accès.

FR

STOCKAGE

Si vous n'utilisez pas vos toilettes Thetford pendant un temps prolongé, il est important de vous conformer aux instructions suivantes. Vidangez complètement le réservoir d'eau au moyen du tuyau de vidange, qui fait également fonction de jauge de niveau. Libérez le tuyau de vidange de son attache et, en procédant avec précaution, tirez-le vers le bas de manière à le dégager du bouchon supérieur. Sortez le tuyau de vidange en le faisant passer par l'ouverture de la trappe d'accès pour permettre à l'eau de s'écouler à l'extérieur. Par la suite, veillez à replacer le tuyau de vidange en premier lieu dans son attache, puis à le renfoncer dans le bouchon supérieur.

C-403L

Vidangez le circuit d'eau général du véhicule.

C-402C, C-402X ET C-403L

20. Ouvrez le clapet en tournant la poignée sur les toilettes vers la gauche. Maintenez enfoncé le bouton bleu de rinçage pour vider toute l'eau. Fermez ensuite le clapet.

C-402C ET C-402X

21. Ouvrez le portillon à l'extérieur du véhicule et sortez le pré-réservoir de remplissage d'eau. Enlevez le bouchon et videz le pré-réservoir de remplissage d'eau en le tournant d'un quart de tour vers la gauche.

C-402C, C-402X ET C-403L

22. Déposez le réservoir à matières et vidangez-le dans un endroit

prévu à cet effet. Respectez les instructions de nettoyage et d'entretien.

23. Remplacez le réservoir à matières dans son logement et ouvrez le clapet en tournant la poignée des toilettes vers la gauche.

NETTOYAGE ET ENTRETIEN

La toilette doit être nettoyée et entretenue régulièrement, en fonction de la fréquence d'utilisation. Pour nettoyer la toilette Thetford, nous vous conseillons d'utiliser Thetford Bathroom Cleaner, Thetford Toilet Bowl Cleaner et l'eau.

Remarque: n'utilisez jamais d'eau de javel, de vinaigre ou d'autres produits détergents puissants contenant ces substances. Vous risqueriez d'endommager de façon définitive les joints et d'autres pièces de votre toilette.

Cuvette

- Versez le produit Thetford Toilet Bowl Cleaner dans la cuvette et utilisez le produit Thetford Bathroom Cleaner pour nettoyer l'extérieur des toilettes. Lisez les instructions du produit avant de l'utiliser.
- Rincez la cuvette à l'eau et lessivez le reste avec un chiffon humide.
- Nettoyez le siège et le couvercle. Le siège et le couvercle sont facilement amovibles : soulevez le siège et le couvercle et tirez les chevilles rondes (à l'intérieur de l'assemblage) vers l'extérieur de leurs logements. Après avoir nettoyé, remettez en place le siège et le couvercle en positionnant les chevilles rondes devant leurs logements et rabattez le couvercle ainsi que le siège.
- Pour assurer l'hygiène de votre toilette et empêcher la formation de dépôts dans la cuvette, versez une quantité adéquate de produit Aqua Rinse dans le réservoir d'eau propre de votre toilette (le cas échéant).

Un conseil ! Pour obtenir une toilette étincelante, essuyez-la avec un chiffon sec et doux après le nettoyage.

Réservoir à matières

Après l'utilisation du Cassette Tank Cleaner de Thetford, le puissant agent nettoyant destiné au nettoyage régulier du réservoir à matières de votre toilette, il est conseillé de se conformer aux instructions suivantes:

- Déposez le mécanisme du réservoir à matières en le tournant vers la gauche selon les instructions mentionnées sur le réservoir. Rincez à l'eau tout le mécanisme.
- Déposez le couvercle de l'évent automatique en le soulevant avec un tournevis. Ouvrez d'une main l'évent automatique et saisissez de l'autre main le flotteur de l'évent automatique à l'intérieur du réservoir. Repoussez vers le haut le flotteur, tournez-le d'un demi-tour et ôtez le flotteur vers le bas. Déposez le joint en caoutchouc qui se trouve sous le flotteur. Rincez le flotteur et le joint en caoutchouc en les passant sous l'eau. Remplacez de la même manière le joint en caoutchouc et le flotteur de l'évent automatique.

Les joints en caoutchouc des toilettes (joint du clapet, joint du mécanisme, joint de l'évent automatique, joint du bouchon) doivent être nettoyés régulièrement au moyen du "Spray silicone" Thetford afin de garantir leur souplesse et leur bon état. Même si vous n'utilisez pas vos toilettes pendant une longue période, il est recommandé de nettoyer les joints et de les traiter avec le "Spray silicone" Thetford.

Attention! N'utilisez jamais de vaseline ou d'huiles végétales autres que de l'huile d'olive. Ces produits peuvent provoquer des fuites. **B.** Le joint d'étanchéité de clapet est une pièce de vos toilettes sujette à l'usure.

Selon la fréquence et le mode d'entretien, il convient de remplacer les joints d'étanchéité.

UTILISATION PAR TEMPS FROID

Si vos toilettes à cassette Thetford se trouvent dans un endroit chauffé, vous pouvez les utiliser normalement par temps froid. Dans le cas contraire, elles risquent de geler. Dans ce cas, nous vous conseillons de vider vos toilettes en suivant les instructions de la rubrique « Stockage ».

L'utilisation de produits antigels tels que ceux qui sont utilisés dans les radiateurs de voiture n'est pas conseillée car elle entraîne une pollution de l'environnement.

GARANTIE THETFORD

Thetford offre une garantie de trois ans aux utilisateurs de ses produits. En cas de défaillances pendant cette période de garantie, Thetford procède au remplacement ou à la réparation du produit. Les frais de remplacement, de main-d'œuvre pour le remplacement des pièces défectueuses et/ou les frais relatifs aux pièces sont alors pris en charge par Thetford.

1. Pour pouvoir faire appel à cette garantie, l'utilisateur doit amener le produit dans un Centre de Services agréé par Thetford. L'application de la garantie y est évaluée.
2. Si la réparation passe par le remplacement sous garantie de certaines pièces, les pièces concernées sont la propriété de Thetford.
3. La législation relative à la consommation en vigueur ne souffre d'aucun préjudice de la présente clause de garantie.
4. Cette garantie n'est pas applicable aux produits utilisés à des fins commerciales.
5. La garantie est annulée dans l'un des cas suivants :
 - le produit a été utilisé de manière peu judicieuse ou les prescriptions de la notice d'utilisation n'ont pas été respectées ;
 - le produit n'a pas été installé conformément aux spécifications ;
 - une modification a été apportée au produit ;
 - le produit a été réparé par un technicien non agréé par Thetford ;
 - le numéro de série ou le code du produit a été modifié ;
 - le dommage causé au produit provient de circonstances étrangères à l'utilisation normale du produit.

SERVICE CLIENTELE

Pour plus de détails ou si vous souhaitez poser des questions au sujet de vos toilettes, consultez notre site Web www.thetford-europe.com. Vous y trouverez entre autres un forum, des problèmes et leurs solutions, des instructions de réparation, des conseils et une liste des distributeurs Thetford de votre région. Si cela ne suffisait pas et que vous souhaitiez encore nous poser des questions ou formuler des remarques, contactez le service clientèle de votre pays (voir les adresses au verso de cette notice).

RESPONSABILITE

Thetford ne peut en aucun cas être tenu responsable de la perte et/ou de dommages résultant directement ou indirectement de l'utilisation des toilettes.

SE Bruksanvisning

Denna bruksanvisning innehåller anvisningar för användning av Thetford kassettoalett C-402C, C-402X och C-403L. Dessa modeller ska på vissa punkter användas på olika sätt. Se till att du följer anvisningarna som gäller för din toalett.

Baktill i bruksanvisningen kan en flik vikas ut som visar de delar och funktioner till vilka bokstäverna hänvisar.

Framtill i bruksanvisningen kan en flik vikas ut som visar de handlingar som ska utföras och som hänvisas till med siffror.

SPECIFIKATIONER C-402C OCH C-402X

- Handtag som öppnar och stänger ventilbladet.
- Knapp för spolning; när denna trycks in spolas vatten i toalettskålen med hjälp av en elektrisk pump.
- Display nivåvisare; när avfallstanken bör tömmas tänds den röda lysdioden på displayen (C-402C och C-402X). Med ett kort tryck på spolknappen visar displayen nivån i avfallstanken och nivån i färskvattentanken (C-402X).
- Avtagbar sittning och lock.
- Glidlock.
- Förvaringsfack för saneringsvätska (endast hög modell).
- Låsanordning för kassetten; håller fast enheten i låst läge.
- Vattenpåfyllningstratt; för enkel påfyllning av färskvattentanken.
- Glidlock; garanterar optimal hygien. Öppnas och stängs automatiskt när avfallstanken skjuts in eller ut.
- Uttagbar mekanism.
- Ventilbladsöppnare.
- Ventilblad och ventilpackning.
- Luftningsknapp; garanterar jämn tömning utan stänk.
- Övre bärhandtag.
- Automatisk luftningsventil; luftar avfallstanken när den är inskjuten i toaletten. Detta förhindrar övertryck i avfallstanken.
- Skjutbart bärhandtag; för enkel transport av avfallstanken.
- Hjul.
- Vridbart tömningsrör; gör tömningen av kassetten lätt och bekväm.
- Förlängningsröret för vattenpåfyllning.
- Servicelucka; låses från husvagnens utsida.

SPECIFIKATIONER C-403L

- Handtag som öppnar och stänger ventilbladet.
- Knapp för spolning; när denna trycks in spolas vatten i toalettskålen med hjälp av fordonets centrala elektriska pump.
- Display nivåvisare; när avfallstanken bör tömmas tänds den röda lysdioden på displayen. Med ett kort tryck på spolknappen visar displayen nivån i avfallstanken.
- Avtagbar sittning och lock.
- Glidlock.
- Förvaringsfack för saneringsvätska (endast hög modell).
- Låsanordning; håller fast enheten i låst läge.
- Glidlock; garanterar optimal hygien. Öppnas när avfallstanken skjuts in i toaletten.

- Uttagbar mekanism.
- Ventilbladsöppnare.
- Ventilblad och ventilpackning.
- Luftningsknapp; garanterar jämn tömning utan stänk.
- Automatisk luftningsventil; luftar avfallstanken när den är inskjuten i toaletten. Detta förhindrar övertryck i avfallstanken.
- Övre bärhandtag; för enkel tömning.
- Skjutbart bärhandtag; för enkel transport av avfallstanken.
- Hjul.
- Vridbart tömningsrör; gör tömningen av kassetten lätt och bekväm.
- Servicelucka; låses från husvagnens utsida.

INLEDNING

Genom köpet av Thetford kassettoalett har du fått en kvalitetsprodukt. Den funktionella konstruktionen kombinerar en modern formgivning med enkel användning och gör toaletten till en integrerad del av badrummet i din husvagn eller husbil. Kassettoaletten är tillverkad av högvärdig plast så att den håller längre och går lätt att underhålla.

Toaletten består av två delar: en permanent monterad del och en lös avfallstank som kan kommas åt från utsidan. Avfallstanken sitter under toaletten och kan tas ut genom en lucka i husvagnens eller husbilens utsida.

En Thetford Kassettoalett är lösningen för det sanitära problemet i din husvagn eller husbil!

FÖRBEREDELSE FÖR ANVÄNDNING C-402C, C-402X OCH C-403L

- Öppna serviceluckan på husvagnens eller -bilens utsida.

C-402C, OCH C-402X

- Vrid avfallstankens tömningsrör 90 grader och tag ut förlängningsröret för vattenpåfyllning (detta befinner sig under handtaget närmast tömningsröret).
- Vrid vattenpåfyllningstratten utåt, avlägsna locket och placera förlängningsröret på påfyllningstratten. Tillfoga den angivna mängden Thetford saneringsvätska i vattentanken. Detta ger en bättre och renare spolning och håller vattnet i spoltanken färskt.
- Fyll vattentanken med rent vatten. Varning: håll vattennivån lägre än vattenpåfyllningstrattens ovansida.
- Avlägsna förlängningsröret och återställ det till sin ursprungliga plats på avfallstanken.
Obs: beroende på utrymmet mellan luckan och avfallstanken kan denna förlängningsdel även fästas vid luckan med en hake. Skruva tillbaka locket på vattenpåfyllningstratten och skjut tillbaka denna till sidan av spolvattentanken.
Obs: Det står kvar 150 ml vatten i påfyllningstratten när vattentanken är tom.

C-402C, C-402X OCH C-403L

- Avlägsna avfallstanken genom att dra låsanordningen uppåt.
- Drag tanken utåt till anslaget. Luta den något och lyft ut tanken helt.
- Sätt tanken upprätt och vrid tömningsröret uppåt.

- Öppna tömningsrörets lock med doseringsbägaren på insidan och tillsätt angiven mängd saneringsvätska i avfallstanken. Vätskan förekommer dålig lukt i avfallstanken och håller tankens insida ren. Tillsätt sedan ungefär 2 liter vatten, så att tankens botten blir täckt med vätska. Sätt tillbaka doseringslocket på tömningsröret. Vrid tillbaka tömningsröret.
Obs: Tömningsrörets doseringslock befinner sig vid leverans i samma förpackning som denna bruksanvisning.
Varning! Tillsätt inte saneringsvätska genom ventilbladet eller toalettskålen. I avfallstanken blandas vätskan genast med vatten.
- Skjut tillbaka avfallstanken genom luckan till sitt ursprungliga läge.
Obs! Skjut aldrig in tanken med kraft om det inte lyckas att få den på plats. Detta kan leda till allvarlig skada.
- Se till att avfallstanken hålls fast i låst läge av låsanordningen. Stäng serviceluckan och läs den.

ANVÄNDNING C-402C, C-402X OCH C-403L

- Fyll litet vatten i skålen genom att trycka på spolningsknappen eller öppna ventilbladet genom att vrida handtaget motsols. Din Thetford toalett är nu klar för bruk.
- Efter bruk öppnar du ventilbladet (om det ännu är stängt) genom att vrida handtaget motsols. Toaletten spolas genom att trycka några sekunder på spolningsknappen. **TIPS!** Toaletten spolar mera effektivt om du pulsar spolningen genom att trycka på spolknappen flera gånger. Stäng ventilbladet efter bruk.
Obs! Låt det inte stå vatten i skålen när toaletten inte används. Detta hjälper inte mot obehaglig doft och kan endast orsaka översvämning.
Anmärkning! För att förekomma förstoppning rekommenderar vi att du använder Thetfords snabblösande toalettpapper, Aqua Soft.

Viktigt varningsmeddelande! Kör inte med för mycket vatten i spoltanken (vi rekommenderar tom tank och avråder kraftfullt från mer än halvfull). Kör inte med vatten i toalettskålen. Att köra med vatten i toalettskålen kan orsaka vattenskador i husvagnen eller -bilen. Undvik att resa med en avfallstank som är fylld mer än till 3/4. Detta kan orsaka läckage genom ventilationssystemet.

TÖMNING

Avfallstanken har en volym på 19 liter och måste tömmas senast när den röda lampan på nivådisplayen tänds. Indikatorlampan tänds när avfallstanken har en restkapacitet kvar på ca 2 liter, vilket överensstämmer med ca. 3 användningar. Vi rekommenderar att tömma tanken tidigare.

Obs! Låt inte avfallstanken bli för full.

C-402C, C-402X OCH C-403L

- Se till att ventilen är ordentligt stängd. Öppna serviceluckan på husvagnens utsida. Drag låsanordningen uppåt och tag ut avfallstanken.
- Avlägsna först förlängningsröret för påfyllning för att undvika att tappa bort den medan du tömmer avfallstanken.
- Placera avfallstanken vertikalt (det skjutbara handtaget upptill, hjulen nedtill). Tryck handtaget nedåt och för det bort från avfallstanken, så att denna lossas ur låsanordningen.

17. Drag handtaget uppåt och kör avfallstanken till en därtill avsedd, tillåten tömningsplats.
18. Skjut tillbaka handtaget. Vrid tömningsröret uppåt och avlägsna locket från röret. Grip avfallstanken med ena handen vid det övre handtaget och håll med den andra handen fast det bakre handtaget, så att du under tömningen når luftningsknappen med tummen. För att tömma tanken utan att det stänker trycker du på luftningsknappen under tömningen. Spola tanken efteråt med rent vatten. Rengör även ventilbladet med vatten.
Obs! Tryck inte på luftningsknappen förrän tömningsröret är riktat nedåt!
19. Förbered vid behov toaletten åter för bruk. Återställ förlängningsröret för påfyllning till sin ursprungliga plats på avfallstanken. Skjut in avfallstanken i toaletten och stäng tillgångsluckan.

FÖRVARING

Om du inte kommer att använda din Thetford toalett under längre tid är det viktigt att följa nedanstående anvisningar.

Töm vattentanken helt via dräneringsröret. Dräneringsröret fungerar även som nivåindikator. Ta loss dräneringsröret ur bygeln och dra den försiktigt nedåt från den övre tappen. Rikta dräneringsröret ut genom serviceluckans öppning så att vattnet kan rinna ut. Efteråt sätter du tillbaka dräneringsröret i bygeln och trycker in det i den övre tappen.

C-403L

Töm husvagnens eller –bilens centrala vattensystem.

SE

C-402C, C-402X OCH C-403L

20. Öppna ventilbladet genom att vrida handtaget på toaletten motsols. Tryck sedan på den blå knappen tills det inte längre strömmar vatten i skålen. Stäng ventilbladet.

C-402C OCH C-402X

21. Öppna luckan på husvagnens utsida och vrid fyllningstratten utåt. Öppna locket och töm fyllningstratten genom att vrida den ett kvarts varv motsols.

C-402C, C-402X OCH C-403L

22. Avlägsna avfallstanken och töm den på en därtill avsedd, tillåten tömningsplats. Följ anvisningarna för rengöring och underhåll.
23. Sätt tillbaka avfallstanken och öppna ventilbladet genom att föra handtaget på toaletten åt vänster.

RENGÖRING OCH UNDERHÅLL

Toaletten bör rengöras och underhållas regelbundet, hur ofta beror på hur mycket den används. Vi rekommenderar att du använder Thetfords Bathroom Cleaner & Thetford Toilet Bowl Cleaner när du rengör Thetford-toaletter.

Anm: Använd aldrig blekmedel, vinäger eller starka rengöringsmedel som innehåller dessa ämnen. De kan orsaka permanenta skador på packningar och andra toalettdelar.

Toalettskål

- Häll Thetford Toilet Bowl Cleaner i toalettskålen och använd Thetford badrumsrengöring för toalettens utsida. Läs instruktionerna för produkten före användning.
- Spola toalettskålen med vatten och torka av resten av toaletten med en fuktad trasa.
- Rengör sitsen och toalettlocket. Sitsen och toalettlocket kan enkelt tas bort: Lyft anordningen med sitsen och locket och dra de runda tapparna (inne i anordningen) utåt från tapphålerna. Efter rengöringen, sätt tillbaka sitsen och locket genom att placera de runda tapparna framför tapphålerna och tryck locket och sitsen nedåt.
- För att hålla spolvattnet fräscht, och förebygga att avlagringar bildas i toalettskålen, håller du i rätt dosering Aqua Rinse i spolvattentanken om du har en sådan på din toalett.

Tips! Torka toaletten med en mjuk, torr trasa efter rengöringen om du vill ha en riktigt skinande ren toalett.

Avfallstank

Förutom att använda Thetfords Cassette Tank Cleaner, det effektiva rengöringsmedlet för periodisk rengöring av toalettens vattentank, föreslår vi att du gör följande:

- Tag ut mekanismen ur avfallstanken genom att vrida den motsols såsom anges på tanken. Skölj den kompletta mekanismen under en kran.
- Avlägsna täckplattan från den automatiska luftningsanordningen genom att vipa den uppåt med en skruvmejsel. Skjut med ena handen luftningsanordningen till öppet läge medan du med den andra handen griper anordningens flottör. Tryck flottören uppåt, vrid den ett halvt varv och tag ut flottören nedåt. Tag ut gummipackningen som sitter under flottören. Skölj flottören och gummipackningen under en kran. Sätt tillbaka den automatiska luftningsanordningens gummipackning och flottör på samma sätt.

Toalettens gummitätningar (ventilbladets packning, mekanismens packning, den automatiska luftningens packning, lockets packning) måste regelbundet behandlas med Thetford Silikonspray. Detta håller tätningarna smidiga och i god form. Även när toaletten inte kommer att användas under längre tid är det viktigt att tätningarna efter rengöring behandlas med Thetford Silikonspray.

Obs! Använd aldrig vaselin eller annan vegetabilisk olja än olivolja. Dessa kan orsaka läckage.

OBS. Bladets tätningssring är en del av toaletten som är utsatt för slitage. Beroende på hur ofta och väl den underhålls kommer funktionen efter en viss tid att försämrats, tätningssringen måste då bytas ut.

VINTERANVÄNDNING

Thetford Kassettoalett kan användas vid kallt väder om den placeras i ett uppvärmt utrymme. Annars föreligger risk att den fryser. I så fall rekommenderar vi att du tömmer toaletten enligt anvisningarna under 'Förvaring'.

Bruk av ett frostskyddsmedel, t.ex. ett sådant som används i bilkylare, rekommenderas ej på grund av miljöbelastning.

THETFORD GARANTI

Thetford B.V. bjuder sina produkters slutanvändare en garanti på 3 år. Inom garantiperioden åtar Thetford sig vid brister att byta ut eller reparera produkten. Byteskostnader, arbetslön vid byte av trasiga delar och/eller kostnader för reservdelar betalas i så fall av Thetford.

1. För att göra anspråk på garantin ska användaren lämna in produkten hos ett Servicecentrum som är erkänt av Thetford. Här bedöms garantianspråket.
2. Om delar av produkten byts ut för reparation under garantin, blir dessa delar Thetfords egendom.
3. Gällande konsumentlagstiftning påverkas inte av detta garantivillkor.
4. Garantin gäller inte för produkter som används eller har använts för kommersiella ändamål.
5. Alla garantianspråk förfaller om:
 - produkten har använts på felaktigt sätt eller anvisningarna i bruksanvisningen inte har följts;
 - produkten inte har installerats enligt föreskrifterna;
 - ändringar har utförts hos produkten;
 - produkten har reparerats av någon annan än ett Servicecentrum erkänt av Thetford;
 - produktens serienummer eller kod har ändrats;
 - skada har uppstått hos produkten till följd av omständigheter utom produktens normala användning.

KUNDSERVICE

För mer information eller vid frågor om produkten kan du besöka vår webbplats, www.thetford-europe.com. Här finner du bl.a. frågor som ofta ställs, problem och lösningar, reparationsanvisningar, tips och en lista över Thetford återförsäljare i din omgivning. Om du ändå har vidare frågor eller anmärkningar kan du kontakta avdelningen Customer Service i ditt land (se adresserna på bruksanvisningens baksida).

ANSVARIGHET

Thetford åtar sig inget ansvar för förlust och/eller skada till direkt eller indirekt följd av toalettens användning.

ES Instrucciones de manejo

Estas instrucciones de manejo se refieren a los modelos C-402C, C-402X y C-403L del inodoro de casete Thetford. El uso de este inodoro difiere en algunos aspectos según el modelo. Asegúrese de seguir las instrucciones aplicables a su inodoro.

Los componentes y las funciones, indicadas con letras, se reproducen en un esquema desplegable incluido al final de estas instrucciones de manejo.

Las operaciones a realizar, indicadas mediante números, figuran en un esquema desplegable al principio de estas instrucciones de manejo.

COMPONENTES Y FUNCIONES DEL C-402C Y C-402X

- a. Palanca; abre y cierra la válvula de cierre.
- b. Botón de lavado; al pulsarlo una bomba eléctrica bombea agua en la taza.
- c. Indicador de nivel; cuando el depósito de residuos esté lleno se iluminará el led rojo del display (C-402C y C-402X). Pulsando brevemente el botón de lavado, el display indicará el nivel del depósito de residuos y el nivel del depósito de agua (C-402X).
- d. Asiento y tapas desmontables.
- e. Tapaderas.
- f. Espacio para guardar líquidos para inodoros (sólo en los modelos altos).
- g. Perno de sujeción; mantiene el depósito de residuos en su sitio.
- h. Embudo; para facilitar el llenado del depósito de agua.
- i. Tapadera; garantiza una higiene óptima. Se abre al introducir el depósito de residuos en el inodoro y se cierra al retirarlo.
- j. Mecanismo extraíble.
- k. Abridor de la válvula de cierre.
- l. Válvula de cierre / goma de cierre.
- m. Émbolo de ventilación; para vaciar sin derramar.
- n. Asidero superior.
- o. Aireación automática; airea el depósito de residuos cuando está introducido en el inodoro de casete. Evita un exceso de presión en el depósito de residuos.
- p. Tirador extensible; para transportar cómodamente el depósito de residuos.
- q. Ruedas.
- r. Embudo giratorio; permite vaciar el depósito de residuos de una forma cómoda e higiénica.
- s. acoplo de llenado de agua.
- t. Puerta de acceso al depósito de residuos y el embudo; bloquear en la parte exterior del vehículo.

COMPONENTES Y FUNCIONES DEL C-403L

- a. Palanca; abre y cierra la válvula de cierre.
- b. Botón de lavado; al pulsarlo la bomba eléctrica central del vehículo bombea agua en la taza.
- c. Indicador de nivel; cuando el depósito de residuos esté lleno se iluminará el led rojo del display. Pulsando brevemente el botón de lavado, el display indicará el nivel del depósito de residuos.
- d. Asiento y tapas desmontables.
- e. Tapaderas.
- f. Espacio para guardar líquidos para inodoros (sólo en los modelos

- altos).
- g. Perno de sujeción; mantiene el depósito de residuos en su sitio.
- h. Tapadera; garantiza una higiene óptima. Se abre al introducir el depósito de residuos en el inodoro.
- i. Mecanismo extraíble.
- j. Abridor de la válvula de cierre.
- k. Válvula de cierre / goma de cierre.
- l. Émbolo de ventilación; para vaciar sin derramar.
- m. Aireación automática; airea el depósito de residuos cuando está introducido en el inodoro de casete. Evita un exceso de presión en el depósito de residuos.
- n. Asidero superior; facilita el vaciado.
- o. Tirador extensible; para transportar cómodamente el depósito de residuos.
- p. Ruedas.
- q. Embudo giratorio; permite vaciar el depósito de residuos de una forma cómoda e higiénica.
- r. Puerta de acceso al depósito de residuos y el embudo; bloquear en la parte exterior del vehículo.

INTRODUCCIÓN

Con la compra del inodoro de casete Thetford dispone de un producto de primera calidad. Su diseño funcional combina un estilo moderno con la comodidad de uso y hace de su inodoro un elemento integrado en el cuarto de baño de su caravana o autocaravana. El inodoro de casete ha sido fabricado en material sintético de primera calidad. De este modo, se convierte en un inodoro duradero y fácil de usar y mantener.

El inodoro está compuesto de dos partes: una parte fija y un depósito de residuos desmontable y accesible desde el exterior. Este depósito de residuos se encuentra debajo de la taza del inodoro y puede ser retirado a través de una pequeña puerta en la parte exterior de la autocaravana o caravana.

¡El inodoro de casete Thetford es la solución a los problemas sanitarios en su autocaravana o caravana!

PREPARACIÓN AL USO C-402C, C-402X Y C-403L

1. Abrir la puerta de acceso en el exterior de su autocaravana o caravana.

C-402C Y C-402X

2. Gire el embudo de vaciado del depósito de residuos 90 grados y retire el acoplo de llenado de agua (que se encuentra debajo de la palanca más cercana al embudo de vaciado).
3. Gire el embudo de llenado de agua hacia afuera, retire el tapón y coloque el acoplo sobre el embudo. Añada al depósito de agua la cantidad indicada de aditivo líquido Thetford. Este líquido garantiza una descarga de agua mejor y más limpia y mantiene fresca el agua del depósito.
4. Llene el depósito de agua con agua limpia.
Advertencia: asegúrese de que el nivel de agua permanece por debajo de la parte superior del embudo de llenado de agua.
5. Retire el acoplo y vuelva a colocarlo en su lugar original en el depósito de residuos.
Nota: dependiendo del espacio existente entre la puerta y el depósito de residuos, este acoplo también puede colgarse en la puerta

mediante un gancho. Vuelva a enroscar el tapón del embudo de llenado de agua y gire el embudo hacia el interior contra el lateral de depósito de agua de lavado.

Nota: Con el depósito de agua vacío quedan 150 ml de agua en el embudo de llenado.

C-402C, C-402X Y C-403L

6. Retire el depósito de residuos tirando hacia arriba el perno de sujeción.
7. Saque el depósito de residuos hacia afuera contra el tope. Ladeándolo ligeramente, puede retirar el depósito completamente.
8. Coloque el depósito en posición vertical y gire el embudo hacia arriba.
9. Gire el tapón del embudo con el vaso dosificador en el interior y vierta la cantidad de líquido para inodoros indicada en el depósito de residuos. Este líquido evita olores desagradables en el depósito de residuos y mantiene el interior de este depósito limpio. A continuación, añada aproximadamente 2 litros de agua, de forma que el fondo del depósito de residuos quede completamente cubierto. Enrosque el vaso dosificador nuevamente sobre el embudo. Vuelva a girar el embudo hasta su posición inicial.
Nota: El tapón dosificador del embudo se suministra en el mismo envase que estas instrucciones de manejo.
¡Advertencia! No debe añadir nunca líquido para inodoros a través de la válvula de cierre o la taza del inodoro. En el depósito de residuos, este líquido se mezcla inmediatamente con el agua.
10. A través de la pequeña puerta de acceso, vuelva a colocar el depósito de residuos en su posición inicial.
¡Cuidado! No intente nunca forzar la entrada del depósito de residuos cuando no consiga colocarlo en su sitio. Puede causar daños graves.
11. Asegúrese de que el depósito de residuos quede bloqueado con el perno de sujeción. Cierre la puerta de acceso con llave.

MANEJO

C-402C, C-402X Y C-403L

12. Introduzca una pequeña cantidad de agua en la taza pulsando un momento el botón de lavado o abra la válvula de cierre girando la palanca en el sentido contrario a las agujas del reloj. Ahora ya puede usar su inodoro Thetford.
13. Después de usar el inodoro, abra la válvula de cierre (si aún estaba cerrada) girando la palanca en el sentido contrario a las agujas del reloj. Para lavar el inodoro pulse unos segundos sobre el botón de lavado. **¡CONSEJO!** La descarga de su inodoro será más efectiva si presiona el botón de descarga varias veces consecutivamente. Después del uso, cierre la válvula de cierre.
¡Cuidado! No deje agua en la taza si no usa el inodoro, ya que ello no favorece la eliminación de olores desagradables y sólo conlleva el posible derrame de agua.
Observación Con el fin de evitar obstrucciones, recomendamos el uso de papel higiénico de disolución rápida Aqua Soft de Thetford.
¡Advertencia importante! Por favor, no viaje con una cisterna de agua demasiado llena (recomendamos que esté vacía, pero desde luego desaconsejamos que esté llena por encima de la mitad de su capacidad). Tampoco viaje con agua en la taza del inodoro. Si no cumple estas recomendaciones, su caravana o autocaravana podría sufrir daños ocasionados por el agua. Evítense viajar con un depósito de residuos que esté más de tres cuartas partes lleno. Esto podría producir fugas a través del sistema de ventilación.

VACIADO

El depósito de residuos tiene una capacidad de 20 litros y se debe vaciar a más tardar cuando se ilumine el led rojo del display de nivel. El led indicador se enciende cuando el depósito de residuos tenga una capacidad residual de 2 litros, lo que equivale a +/- 3 usos. Se recomienda vaciar el depósito antes.

¡Cuidado! No deje que el depósito de residuos se llene demasiado.

C-402C, C-402X Y C-403L

14. Asegúrese de que la válvula de cierre está cerrada. Abra la puerta de acceso en el exterior del vehículo. Tire del perno de sujeción hacia arriba y retire el depósito de residuos.
15. Retire primero el acoplo de llenado de agua, para evitar que se pierda al vaciar el depósito de residuos.
16. Coloque el depósito de residuos en posición vertical (tirador extensible en la parte superior, ruedas en la parte inferior). Pulse el tirador hacia abajo y desplácelo lejos del depósito para soltar el seguro.
17. Tire el tirador hacia arriba y conduzca el depósito de residuos al lugar de vertido autorizado.
18. Coloque el tirador en su posición inicial. Gire el embudo hacia arriba y retire el tapón del embudo. Coja el depósito de residuos con una sola mano por el asidero superior y coloque la otra mano en el asidero posterior, de forma que pueda accionar el émbolo de ventilación con el dedo pulgar durante el vaciado. Para vaciar el depósito sin provocar salpicaduras, pulse sin exagerar el émbolo de ventilación durante el vaciado. Después del vaciado, lave el depósito a fondo con agua. También debe limpiar la válvula de cierre con agua.
¡Cuidado! ¡No oprima el émbolo de ventilación hasta que el embudo indique hacia abajo!
19. En caso necesario, prepare el inodoro para poder utilizarlo de nuevo. Vuelva a colocar el acoplo de llenado de agua en su posición original en el depósito de residuos. Deslice el depósito de residuos en el inodoro y cierre la puerta de acceso.

ALMACENAMIENTO

Si no va a usar su inodoro Thetford por un periodo prolongado, es importante seguir antes las siguientes instrucciones. Vacía por completo la cisterna mediante el tubo de desagüe, que también sirve de indicador de nivel. Suelta el tubo de desagüe de su abrazadera y retíralo de la conexión superior tirando con cuidado hacia abajo. Pasa el tubo de desagüe a través de la portezuela de acceso para que salga el agua. Después, asegúrate de que el tubo está sujeto en su abrazadera antes de acoplarlo de nuevo a la conexión superior.

C-403L

Vacíe el sistema central de agua de su caravana o autocaravana.

C-402C, C-402X Y C-403L

20. Abra la válvula de cierre girando la palanca del inodoro en el sentido contrario a las agujas del reloj. Mantenga pulsado el botón azul hasta que deje de entrar agua en la taza. Cierre la válvula de cierre.

C-402C Y C-402X

21. Abra la puerta en el exterior de su caravana o autocaravana y gire el embudo hacia afuera. Retire el tapón y vacíe el embudo girando un cuarto de vuelta en el sentido contrario a las agujas del reloj.

C-402C, C-402X Y C-403L

22. Retire el depósito de residuos y vacíelo en un lugar de vertido autorizado e indicado. Siga las instrucciones para su limpieza y mantenimiento.
23. Vuelva a colocar el depósito de residuos en su sitio y abra la válvula de cierre girando la palanca del inodoro hacia la izquierda.

LIMPIEZA Y MANTENIMIENTO

Debe limpiarse y mantenerse el inodoro con regularidad, en función de la frecuencia de uso. Para limpiar los inodoros Thetford, le recomendamos utilizar agua, Bathroom Cleaner de Thetford & Toilet Bowl Cleaner.

Nota: no utilice lejía, vinagre ni otros limpiadores domésticos potentes que contengan tales sustancias, ya que pueden ocasionar daños irreversibles a las juntas y a otros componentes del inodoro.

Taza del inodoro

- Vierta un chorro del Toilet Bowl Cleaner de Thetford en la taza del inodoro y utilice el limpiador de baños Thetford para el exterior del inodoro. Lea las instrucciones del producto antes de utilizarlo.
- Pulse el botón de descarga y limpie el resto del inodoro con un paño húmedo.
- Limpie el asiento y la tapa. El asiento y la tapa se pueden desmontar fácilmente: Levante el ensamble del asiento y la tapa y tire de los pasadores redondos (dentro del ensamble) hacia fuera de los orificios del pasador. Después de la limpieza, vuelva a colocar el asiento y la tapa posicionando los pasadores redondos en frente de los orificios del pasador y empuje la tapa y el asiento hacia abajo.
- Para mantener fresca el agua de la cisterna y para evitar la formación de depósitos en la taza del inodoro, añada la cantidad apropiada de Aqua Rinse al agua de la cisterna (si su inodoro dispone de ella).

¡Consejo! Para que su inodoro brille de verdad, séquelo con un paño suave y seco después de limpiarlo.

Depósito de residuos

Le recomendamos limpiar minuciosamente el depósito de residuos cada temporada. Después de utilizar Cassette Tank Cleaner para inodoros Cassette de Thetford, un potente agente limpiador para la limpieza periódica del depósito de su inodoro, le recomendamos que siga las siguientes instrucciones:

- Retirar el mecanismo del depósito de residuos, girándolo, tal y como se indica en el depósito, en el sentido contrario a las agujas del reloj. Limpiar todo el mecanismo bajo el agua del grifo.
- Retirar la tapadera de la ventilación automática impulsándolo hacia arriba con ayuda de un destornillador. Abra pulsando con una mano la ventilación automática, mientras coge con la otra mano el flotador de la ventilación automática que se encuentra en el interior del depósito. Empuje el flotador hacia arriba, gírelo media vuelta y sáquelo por abajo. Retire la junta de goma que se encuentra debajo del flotador. Limpie el flotador y la junta de goma bajo el agua del grifo. Vuelva a colocar la junta de goma y el flotador de la ventilación automática del mismo modo en su sitio.

Las juntas de goma del inodoro (junta de la válvula, junta del mecanismo, junta de la ventilación automática, junta del tapón) se deben tratar regularmente con Silicona en aerosol de Thetford. De este modo se garantiza la flexibilidad y buen estado de las juntas. También cuando el inodoro no se use durante un largo periodo de tiempo, es importante tratar las juntas con Silicona en aerosol de Thetford después de su limpieza.

¡Cuidado! No utilice nunca vaselina o aceites vegetales distintos del aceite de oliva. Pueden causar fugas.

Nota: La junta de la válvula es un componente del inodoro especialmente susceptible al desgaste. Dependiendo de la frecuencia y la forma de mantenimiento, su funcionalidad disminuye después de algún tiempo y es necesario sustituir la junta.

USO DURANTE EL INVIERNO

Puede usar su inodoro casete Thetford normalmente con tiempo frío, siempre que el inodoro se encuentre instalado en un espacio con calefacción. En caso contrario, existe un peligro de congelación. En este caso, recomendamos el vaciado del inodoro siguiendo las instrucciones del capítulo 'Almacenamiento'.

Con el fin de evitar la contaminación del medio ambiente, no se recomienda el uso de anticongelantes como los utilizados en los radiadores de los automóviles.

GARANTÍA THETFORD

Thetford B.V. ofrece a los usuarios finales de sus productos una garantía de tres años. En el caso de que se produjeran defectos dentro del periodo de garantía, Thetford sustituirá o reparará el producto. En este caso, los gastos de sustitución, la mano de obra para la sustitución de piezas defectuosas y/o los gastos de las propias piezas serán por cuenta de Thetford.

1. Para tener derecho a esta garantía, el usuario deberá llevar el producto a un Centro de Servicio reconocido por Thetford. En este centro se evaluará el derecho de reclamación.
2. En el caso en que, para la reparación, determinadas piezas del producto en garantía fueran sustituidas, dichas piezas serán propiedad de Thetford.
3. Esta cláusula de garantía no afecta a la legislación para la protección del consumidor en vigor.
4. Esta garantía no será de aplicación a los productos que estén siendo utilizados o hayan sido utilizados con fines comerciales.
5. El derecho de garantía caducará en cualquiera de los siguientes supuestos:
 - el producto haya sido utilizado inadecuadamente o las instrucciones del manual no han sido respetadas;
 - el producto no ha sido instalado conforme a las instrucciones;
 - se han introducido cambios en el producto;
 - el producto ha sido reparado por un Centro de Servicio no reconocido por Thetford;
 - el número de serie o el código del producto ha sido modificado;
 - el producto ha sido dañado por circunstancias fuera del uso normal del producto.

ATENCIÓN AL CLIENTE

Para más información o preguntas respecto de su inodoro, visite nuestra página web www.thetford-europe.com. Aquí encontrará un gran número de preguntas, problemas y soluciones, instrucciones de reparación, sugerencias y una lista de concesionarios Thetford de su zona. Si tuviera más preguntas u observaciones, póngase en contacto con el departamento de Atención al cliente de su país (vea las direcciones al dorso de este manual).

RESPONSABILIDAD

Thetford no será responsable de la pérdida y/o los daños que deriven directa o indirectamente del uso del inodoro.

DK Brugervejledning

Nærværende brugervejledning omhandler Thetford-kassettoiletmodellerne C-402C, C-402X og C-403L. Disse modeller er på en række punkter forskellige fra hinanden. Vær opmærksom på, at De følger de instruktioner, som finder anvendelse på Deres toilet.

De dele og funktioner, der henvises til med bogstaver, er klarlagt på en flap bag i nærværende brugervejledning.

De handlinger, som skal udføres, og hvortil der henvises med et tal, er klarlagt på en flap foran i nærværende brugervejledning.

DELE OG FUNKTIONER C-402C OG C-402X

- a. Håndtag; åbner og lukker ventilbladet.
- b. Skylleknop; når der trykkes på knappen, aktiveres vandtilførslen til kummen ved hjælp af en elektrisk pumpe.
- c. Display med niveauindikator; når affaldstanken er fuld, begynder den røde LED på displayet at brænde (C-402C og C-402X). Efter et kort tryk på skylleknappen, viser displayet niveauet for affaldstanken og niveauet for vandtanken (C-402X).
- d. Aftageligt sæde og låg.
- e. Dækplader.
- f. Opbevaringsrum til toiletmidler (kun ved høj model).
- g. Holdeklips; holder affaldstanken fastlåst.
- h. Påfyldningsstuds til vand; til nem påfyldning af vandtanken.
- i. Skydedæksel; garanterer optimal hygiejne. Åbner og lukker automatisk, når affaldstanken sættes ind og tages ud.
- j. Udtagelig mekanisme.
- k. Ventilbladsåbner.
- l. Ventilblad / tætning.
- m. Udluftningsventil; sikrer problemløs tømning uden sprøjt.
- n. Øverste bærehåndtag.
- o. Automatisk udluftning; udlufter affaldstanken, når den er isat kassettoiletlet. Dette forhindrer overtryk i affaldstanken.
- p. Udrækkeligt håndtag; gør det nemt at transportere affaldstanken.
- q. Hjul.
- r. Svingbart aftømningsrør; sikrer nem og hygiejnisk tømning af affaldstanken.
- s. Vandpåfyldnings-forlængerrøret.
- t. Dør til affaldstank og påfyldningsstuds til vand; låses fra campingvognens yderside.

DELE OG FUNKTIONER C-403L

- a. Håndtag; åbner og lukker spærreventilen.
- b. Skylleknop; når der trykkes på knappen, aktiverer vandtilførslen til kummen ved hjælp af den centrale elektriske pumpe på køretøjet.
- c. Display med niveauindikator; når affaldstanken er fuld, begynder den røde LED på displayet at brænde. Efter et kort tryk på skylleknappen, viser displayet niveauet for affaldstanken.
- d. Aftageligt sæde og låg.
- e. Dækplader.

- f. Opbevaringsrum til toiletmidler (kun ved høj model).
- g. Holdeklips; holder affaldstanken fastlåst.
- h. Skydedæksel; garanterer optimal hygiejne. Åbnes, når affaldstanken indsættes i toiletlet.
- i. Udtagelig mekanisme.
- j. Ventilbladsåbner.
- k. Ventilblad / tætning.
- l. Udluftningsventil; sikrer problemløs tømning uden sprøjt.
- m. Automatisk udluftning; udlufter affaldstanken, når den er isat kassettoiletlet. Dette forhindrer overtryk i affaldstanken.
- n. Øverste håndtag; til nem tømning.
- o. Udrækkeligt håndtag; gør det nemt at transportere affaldstanken.
- p. Hjul.
- q. Svingbart aftømningsrør; sikrer nem og hygiejnisk tømning af affaldstanken.
- r. Dør til affaldstank; kan låses fra campingvognens yderside.

INDLEDNING

Med Thetford-kassettoiletlet har De fået et kvalitetsprodukt. På grund af det funktionelle design kombineres et moderne stil med hjemlige faciliteter, og bliver toiletlet en integreret del af Deres campingvogns eller autocampers badeværelse. Kassettoiletlet er fremstillet af kunststof af høj kvalitet. Det gør det til et holdbart, brugs- og vedligeholdelsesvenligt toilet.

Toiletlet består af to dele: En permanent installeret del og en udtagelig affaldstank, som kan tages ud udefra. Den udtagelige affaldstank er placeret under toiletkummen og kan fjernes gennem en lille dør på ydersiden af campingvognen eller autocamperen.

Thetford-kassettoiletlet er den perfekte løsning på det sanitære problem i Deres campingvogn eller autocamper!

FORBEREDELSE FØR BRUG C-402C, C-402X OG C-403L

1. Åbn døren på ydersiden af Deres campingvogn eller autocamper.

C-402C OG C-402X

2. Drej opsamlingsstankens tømningrør 90 grader og fjern forlængerrøret til vandpåfyldning (det sidder under håndtaget nærmest ved tømningrøret).
3. Drej vandpåfyldningstragten udad, tag hættten af og sæt vandpåfyldnings-forlængerrøret på påfyldningstragten. Kom den angivne mængde Thetford sanitetsvæske i vandtanken. Dette giver en bedre og renere skylning og holder vandet i skyllevandstanken frisk.
4. Fyld vandtanken med rent vand. **Advarsel:** Hold vandstanden neden for toppen af vandpåfyldningstragten.
5. Fjern forlængerrøret og sæt det tilbage på plads på opsamlingsstanken. **Bemærk:** Afhængigt af pladsen mellem døren og opsamlingsstanken kan denne forlængerdel også monteres på døren med en krog. Skru hættten tilbage på vandpåfyldningstragten og tryk indad mod siden af skyllevandstanken. **Bemærk:** Der bliver 150 ml vand tilbage i vandpåfyldningstragten, når vandtanken er tom.

C-402C, C-402X OG C-403L

6. Tag affaldstanken ud ved at trække holdeklipsen opad.
7. Træk affaldstanken ud, indtil den støder imod anslaget. Tip tanken en smule og tag hele tanken ud.
8. Sæt tanken lodret og drej aftømningsrøret opad.
9. Fjern låget, med på indersiden doseringsbægeret, fra aftømningsrøret og hæld den angivne mængde toiletmiddel i affaldstanken. På den måde undgås ubehagelige lugte i affaldstanken, og holdes indersiden af affaldstanken ren. Tilsæt efterfølgende ca. 2 liter vand, så affaldstankens bund er helt dækket. Sæt herefter doseringslåget på aftømningsrøret igen. Drej aftømningsrøret tilbage til udgangspositionen. **NB:** Doseringslåget til aftømningsrøret er ved levering i den samme pakke som nærværende brugervejledning. **Advarsel!** Tilsæt aldrig toiletmidler gennem ventilbladet eller toiletkummen. I affaldstanken blandes toiletmidlet med det samme med vand.
10. Skub affaldstanken igen på plads gennem den lille dør. **NB!** Skub aldrig affaldstanken ind med kraft, hvis det ikke lykkes at få tanken på plads. Det kan medføre alvorlige skader.
11. Sørg for, at affaldstanken er låst fast med holdeklipsen. Luk døren og lås den.

BRUG

C-402C, C-402X OG C-403L

12. Lad lidt vand løbe i kummen ved kort at trykke på skylleknappen eller ved at åbne ventilbladet ved at dreje håndgrebet mod uret. De kan nu bruge Deres Thetford-toilet.
13. Efter brug åbner De ventilbladet (hvis det endnu er lukket) ved at dreje håndtaget mod uret. De skyller toiletlet ved at trykke på skylleknappen i nogle sekunder. **TIP!** Udskylningen af dit toilet bliver mere effektiv, hvis du pumper skylleknappen flere gange i træk. Luk ventilbladet efter brug. **NB!** Der må ikke stå vand i kummen, når toiletlet ikke bruges. Det bidrager ikke til reduktion af ubehagelige lugte og kan resultere i, at toiletlet løber over. **Bemærkning!** Vi anbefaler at bruge Aqua Soft, Thetfords hurtigt opløsende toiletpapir, for at undgå forstoppelse.

Vigtig advarsel! Kør ikke med en fuld skylletank (vi anbefaler at rejse med en tom skylletank, men hvis det ikke kan lade sig gøre, må den ikke være mere end halvt fyldt op). Kør heller ikke med vand i toiletkummen. Hvis du ikke overholder denne forholdsregel, kan der ske vandskade i din campingvogn eller camper. Venligst undgå at rejse med en affaldstank, der er mere end 3 / 4 fuld. Dette kan medføre lækage gennem udluftningssystemet.

TØMNING

Affaldstanken har et indhold på 19 liter og skal tømmes senest, når den røde LED på niveauet displayet brænder. Indikatorlampen begynder at brænde, når der er ca. 2 liter væske tilbage i affaldstanken. Det betyder, at toiletlet kan bruges ca. 3 gange til. Det anbefales at tømme affaldstanken på et tidligere tidspunkt.

NB! Affaldstanken må ikke blive for fuld.

C-402C, C-402X OG C-403L

14. Sørg for, at ventilbladet er lukket. Åbn døren på ydersiden af køretøjet. Træk holdeklipsen opad og tag affaldstanken ud.
15. Fjern først vandpåfyldnings-forlængerstykket for at undgå at miste det, mens du tømmer opsamlingsstanken.
16. Anbring affaldstanken i lodret stilling (det udtrækelige håndgreb i top, hjulene i bunden). Tryk håndgrebet nedad og bevæg håndtaget væk fra affaldstanken, så den låses op.
17. Træk håndtaget opad og kørs affaldstanken til et godkendt aftømningssted, der er beregnet til dette formål.
18. Skub håndtaget tilbage. Drej aftømningsrøret opad og fjern låget på aftømningsrøret. Tag med den ene hånd fat i affaldstanken ved det øverste bærehåndtag. Tag fat i det bagerste håndtag med den anden hånd, så udluftningsventilen kan betjenes med tommelfingeren under tømningen. Tryk forsigtigt udluftningsventilen ind under tømningen, for at tømme tanken uden sprøjt. Skyl tanken godt med vand efter tømningen. Rens ligeledes ventilbladet med vand.
NB! Udluftningsventilen skal først trykkes ind, når aftømningsrøret peger nedad!
19. Gør om nødvendigt toilettet klar til brug igen. Sæt vandpåfyldnings-forlængerrøret på plads igen på vandtanken. Skyd opsamlingsstanken ind i toilettet og luk adgangs døren.

OPBEVARING

Hvis De ikke skal bruge Deres Thetford-toilet gennem længere tid, er det vigtigt, at De først følger nedenstående instruktioner.

Tøm vandtanken helt via aftømningsrøret, der også fungerer som niveauindikator. Tag aftømningsrøret ud af rørholderen, og træk det forsigtigt nedad fra den øverste bøjle. Før aftømningsrøret ud gennem åbningen til adgangs dækslet, så vandet kan løbe ud. Sørg derefter for, at aftømningsrøret bliver sat fast i rørholderen først og derefter skubbet tilbage i den øverste bøjle.

C-403L

Aftap det centrale vandsystem af Deres campingvogn eller autocamper.

C-402C, C-402X OG C-403L

20. Åbn ventilbladet ved at dreje håndtaget på toilettet mod uret. Tryk nu på den blå knap, indtil der ikke længere strømmer vand i kummen. Luk ventilbladet.

C-402C OG C-402X

21. Åbn døren på ydersiden af campingvognen eller autocamperen, og drej påfyldningsstudsens til vand udad. Fjern låget og tøm påfyldningsstudsens til vand ved at dreje den en kvart omdrejning mod uret.

C-402C, C-402X OG C-403L

22. Tag affaldstanken ud og læg den på et godkendt tømningsssted, der er beregnet til dette formål. Følg instruktionerne for rengøring og vedligeholdelse.
23. Sæt affaldstanken tilbage på plads og åbn ventilbladet ved at bevæge håndtaget på toilettet mod venstre.

RENGØRING OG VEDLIGEHOLDELSE

Toilettet skal rengøres og vedligeholdes regelmæssigt, afhængigt af hvor meget det bruges. Til rengøring af Thetford-toiletter anbefales vand og Thetfords rengøringsmiddel & Thetfords Toilet Bowl Cleaner til badeværelser.

Bemærk. Brug aldrig blegemidler, eddike eller andre kraftige rengøringsmidler, der indeholder disse stoffer. Det kan forårsage permanente skader på pakninger og andre toiletd dele.

Toiletkumme

- Sprøjt Thetford Toilet Bowl Cleaner i toilettet og brug Thetfords badeværelsesrens til at rengøre toilettet udenpå. Læs instruktioner- ne inden anvendelse.
- Skyl toilettet med vand, og tør resten af toilettet af med en fugtig klud.
- Rengør sæde og dække. Sædet og dækket kan nemt tages af: Løft sæde- og dækkemontering og træk de runde bolte (inde i monteringen) udad fra boltehullerne. Efter rengøring sættes sæde og dække på igen ved at placere de runde bolte forrest i boltehullerne og dække og sæde skubbes nedad.
- Du sikrer frisk skyllevand og forhindrer aflejringer i toiletkummen ved at hælde en korrekt dosis Aqua Rinse i skylletanken, hvis toilettet er udstyret med en sådan.
Tip! Du vil få et virkeligt skinnende toilet ved at tørre det med en blød, tør klud efter rengøring.

Affaldstank

Vi anbefaler en grundig rengøring af affaldstanken en gang i hver sæson. Ud over at bruge Thetfords Cassette Tank Cleaner, som er et effektivt rengøringsmiddel til regelmæssig rengøring af affaldstanken i dit toilet, har vi følgende forslag:

- Tag mekanismen ud af affaldstanken ved at dreje den mod uret, som vist på affaldstanken. Skyl hele mekanismen med vand under vandhanen.
- Fjern afdækningspladen af den automatiske udluftning ved at vippe den opad med en skruetrækker. Åbn den automatiske udluftning ved at skubbe mod den med den ene hånd, mens De med den anden hånd og på indersiden af tanken tager fat i den automatiske udluftnings svømmer. Skub svømmeren opad, drej svømmeren en halv omdrejning og tag svømmeren ud ved at trække den nedad. Tag gummitætningen under svømmeren ud. Skyl svømmeren og gummitætningen med vand under vandhanen. Monter gummitætningen og den automatiske udluftnings svømmer igen på samme måde som beskrevet foroven.

Toilettets gummitætninger (bladventilens tætning, mekanismens tætning, den automatiske udluftnings tætning, lågets tætning) skal rengøres regelmæssigt med Thetford-silikon spray. Det sikrer, at tætningerne forbliver bløde og i god stand. Selv hvis toilettet ikke skal bruges gennem længere tid, er det vigtigt efter rengøring at behandle tætningerne med Thetford-silikon spray.

NB! Brug aldrig vaseline eller andre vegetabiliske olier end olivenolie. De kan forårsage lækage.

NB Tætningen på bladet er en del af Deres toilet, som udsættes for slid. Afhængig af vedligeholdelsesomfanget og -måden, svækkes dens effekt efter en vis periode, og skal tætningen udskiftes.

BRUG I VINTERPERIODEN

De kan blive ved med at bruge Deres Thetford-kassettoilet, når det er koldt, hvis toilettet står på et opvarmet sted. Hvis det ikke gør det, er der risiko for tilfrysning. I så tilfælde anbefaler vi at aftappe toilettet jf. instruktionerne under "Opbevaring".

Brugen af frostvæske, f.eks. et, som bruges til radiatoren i en bil, anbefales ikke af hensyn til miljøet.

THETFORD-GARANTI

Thetford B.V. giver slutbrugerne af dets produkter en garanti på 3 år. Inden for garantiperioden udskifter eller reparerer Thetford produktet i tilfælde af defekter. Udgifterne for udskiftningen, arbejds lønnen for udskiftningen af defekte dele og/eller udgifterne for delene betales i det tilfælde af Thetford.

1. For at kunne gøre krav på garantien, skal brugeren tage produktet hen til et servicecenter, som er anerkendt af Thetford. Her bedømmes garantikravet.
2. Hvis dele af produktet udskiftes under garantien i forbindelse med reparation, bliver de pågældende dele Thetfords ejendom.
3. Den gældende forbrugerlovgivning ændres ikke af nærværende garantibestemmelser.
4. Garantien gælder ikke for produkter, som anvendes eller er blevet anvendt til kommercielle formål.
5. Alle krav på garanti bortfalder i et af følgende tilfælde:
 - hvis produktet er blevet brugt usagkyndigt eller hvis forskrifterne i vejledningen ikke er blevet fulgt;
 - hvis produktet ikke er installeret jf. forskrifterne;
 - hvis produktet er blevet ændret;
 - hvis produktet er blevet repareret af et servicecenter, der ikke er anerkendt af Thetford;
 - hvis produktets serienummer eller kode er blevet ændret;
 - hvis der er opstået skade på produktet på grund af forhold, som ikke vedrører den normale brug af produktet.

KUNDESERVICE

Se for yderligere oplysninger eller spørgsmål om Deres toilet vor webside www.thetford-europe.com. Her finder De bl.a. hyppigt stillede spørgsmål, problemer og løsninger, reparationsinstruktioner, tips og en liste over Thetford-forhandlere i nærheden af Dem. Har De alligevel yderligere spørgsmål eller bemærkninger, bedes De kontakte kundeserviceafdelingen (se adresserne bag på denne vejledning).

ANSVAR

Thetford er ikke ansvarlig for tab og/eller skade, som er en direkte eller indirekte følge af brug af toilettet.

DE Gebrauchsanweisung

In dieser Gebrauchsanweisung werden die Ausführungen C-402C, C-402X und C-403L der Thetford Cassettentoilette behandelt. Diese Ausführungen unterscheiden sich in manchen Punkten bei der Verwendung. Achten Sie darauf, dass Sie den Anweisungen folgen, die für Ihre Toilette gelten.

Die Teile und Funktionen, auf die mit Buchstaben verwiesen wird, sind am Ende dieser Gebrauchsanweisung auf einer Klappkarte dargestellt. Die auszuführenden Handlungen, auf die mit Ziffern verwiesen wird, befinden sich am Anfang dieser Gebrauchsanweisung auf einer Klappkarte.

TEILE UND FUNKTIONEN

C-402C UND C-402X

- a. Hebel; öffnet und schließt den Schieber.
- b. Spüldrucktaste; beim Eindrücken fließt mittels einer elektrischen Pumpe Wasser ins Becken.
- c. Füllstandsanzeige; bei vollem Fäkalientank leuchtet das rote Lämpchen in der Anzeige auf (C-402C und C-402X). Durch kurzes Drücken der Spüldrucktaste wird auf der Anzeige der Füllstand des Fäkalientanks und des Wassertanks (C-402X) wiedergegeben.
- d. Abnehmbare Brille und Deckel.
- e. Abdeckplatten.
- f. Fach für Sanitärflüssigkeiten (nur bei hohem Modell).
- g. Sicherungsklemme; sorgt für sichere Position des Fäkalientanks.
- h. Wasserfüllrichter; für leichtes Füllen des Wassertanks.
- i. Abdeckplatte; garantiert optimale Hygiene. Öffnet, wenn der Fäkalientank in die Toilette geschoben wird, und schließt, wenn der Fäkalientank herausgenommen wird.
- j. Herausnehmbarer Mechanismus.
- k. Schieberknopf.
- l. Schieber / Schieberdichtung.
- m. Belüftungsknopf; für spritzerfreies Entleeren.
- n. Oberer Handgriff.
- o. Automatische Entlüftung; entlüftet den Fäkalientank, wenn dieser in die Cassettentoilette geschoben ist. Verhindert Überdruck im Fäkalientank.
- p. Ausklappbarer Handgriff; für den einfachen Transport des Fäkalientanks.
- q. Räder.
- r. Schwenkbarer Auslaufstutzen; sorgt dafür, dass der Fäkalientank leicht und hygienisch geleert werden kann.
- s. Wassertankfortsatz.
- t. Servicetür zum Fäkalientank und Wasserfüllrichter; an der Außenseite des Fahrzeugs zu verriegeln.

TEILE UND FUNKTIONEN C-403L

- a. Hebel; öffnet und schließt den Schieber.
- b. Spüldrucktaste; beim Eindrücken fließt mittels der zentralen elektrischen Pumpe des Fahrzeugs Wasser ins Becken.
- c. Füllstandsanzeige; bei vollem Fäkalientank leuchtet das rote Lämpchen in der Anzeige auf. Durch kurzes Drücken der Spüldrucktaste wird auf der Anzeige der Füllstand des Fäkalientanks wiedergegeben.
- d. Abnehmbare Brille und Deckel.
- e. Abdeckplatten.
- f. Fach für Sanitärflüssigkeiten (nur bei hohem Modell).
- g. Sicherungsklemme; sorgt für sichere Position des Fäkalientanks.
- h. Abdeckplatte; garantiert optimale Hygiene. Öffnet, wenn der

- Fäkalientank in die Toilette geschoben wird.
- i. Herausnehmbarer Mechanismus.
 - j. Schieberknopf.
 - k. Schieber / Schieberdichtung.
 - l. Belüftungsknopf; für spritzerfreies Entleeren.
 - m. Automatische Entlüftung; entlüftet den Fäkalientank, wenn dieser in die Cassettentoilette geschoben ist. Verhindert Überdruck im Fäkalientank.
 - n. Oberer Handgriff; für einfaches Entleeren.
 - o. Ausklappbarer Handgriff; für den einfachen Transport des Fäkalientanks.
 - p. Räder.
 - q. Schwenkbarer Auslaufstutzen; sorgt dafür, dass der Fäkalientank leicht und hygienisch geleert werden kann.
 - r. Servicetür zum Fäkalientank; an der Außenseite des Fahrzeugs zu verriegeln.

EINLEITUNG

Mit der Thetford Cassettentoilette verfügen Sie über ein Qualitätsprodukt. Durch die funktionale Gestaltung werden modernes Design und bequeme Benutzung kombiniert und die Toilette formt einen integralen Bestandteil im Bad Ihres Wohnwagens oder Wohnmobils. Die Cassettentoilette besteht aus hochwertigem Kunststoff. Dadurch ist es eine langlebige, benutzungs- und wartungsfreundliche Toilette.

Die Toilette besteht aus zwei Teilen: einem permanent montierten Teil und einem von außen zugänglichen und herausnehmbaren Fäkalientank. Der herausnehmbare Fäkalientank befindet sich unter der Toilette und kann durch eine Tür an der Außenseite des Wohnwagens oder Wohnmobils entnommen werden.

Die Thetford Cassettentoilette ist die Lösung für das Sanitärproblem in Ihrem Wohnwagen oder Wohnmobil!

VORBEREITUNG FÜR DIE NUTZUNG

C-402C, C-402X UND C-403L

1. Öffnen Sie die Servicetür an der Außenseite Ihres Wohnwagens oder Wohnmobils.

C-402C UND C-402X

2. Drehen Sie den Auslaufstutzen des Fäkalientanks um 90 Grad und entfernen Sie den Wassertankfortsatz (dieser findet sich unter dem Handgriff, der dem Auslaufstutzen am nächsten ist).
3. Drehen Sie den Wasserfüllrichter nach außen, entfernen Sie den Deckel und setzen Sie den Fortsatz auf den Wasserfüllrichter. Geben Sie die angegebene Menge Thetford-Toilettenadditiv in den Wassertank. Dies gewährleistet eine bessere und reinigendere Spülung und hält das Wasser im Frischwassertank frisch.
4. Füllen Sie den Wassertank mit frischem Wasser.
Achtung: Achten Sie darauf, dass der Wasserstand unter dem Wasserfüllrichter bleibt.
5. Entfernen Sie den Fortsatz und bringen Sie ihn an seiner ursprünglichen Position am Fäkalientank an.
Hinweis: Je nach Platz zwischen der Tür und dem Fäkalientank kann der Fortsatz auch mit einem Zapfen an der Tür befestigt werden. Schrauben Sie den Deckel wieder auf den Wasserfüllrichter und drücken Sie ihn zurück nach innen in Richtung des Frischwassertanks.
Hinweis: 150 ml Wasser verbleiben im Wasserfüllrichter, wenn der

Wassertank leer ist.

C-402C, C-402X UND C-403L

6. Entfernen Sie den Fäkalientank, indem Sie die Sicherungsklemme nach oben ziehen.
7. Ziehen Sie den Fäkalientank nach außen bis an den Anschlag. Kippen Sie ihn ein wenig und nehmen Sie den Tank vollständig heraus.
8. Stellen Sie den Tank gerade hin und drehen Sie den Auslaufstutzen nach oben.
9. Drehen Sie den Deckel, mit dem Dosierbecher an der Innenseite, von dem Auslaufstutzen und geben Sie die angegebene Menge Sanitärflüssigkeit in den Fäkalientank. Hierdurch werden üble Gerüche im Fäkalientank verhindert und die Innenseite des Fäkalientanks sauber gehalten. Fügen Sie daraufhin noch rund zwei Liter Wasser hinzu, so dass der Boden des Fäkalientanks vollständig bedeckt ist. Drehen Sie danach den Dosierbecher zurück auf den Auslaufstutzen. Drehen Sie den Auslaufstutzen in die ursprüngliche Stellung zurück.
Hinweis: Der Dosierbecher des Auslaufstutzens befindet sich bei der Lieferung in derselben Verpackung wie diese Gebrauchsanweisung.
Warnung! Fügen Sie nie Sanitärflüssigkeit durch den Schieber oder durch das Toilettenbecken hinzu. Im Fäkalientank wird die Flüssigkeit sofort mit Wasser vermischt.
10. Schieben Sie den Fäkalientank durch die Tür wieder in seine ursprüngliche Position.
Achtung! Wenden Sie beim Hineinschieben des Fäkalientanks keine Gewalt an. Dies kann zu schwerwiegenden Beschädigungen führen.
11. Sorgen Sie dafür, dass der Fäkalientank mit der Sicherungsklemme verriegelt ist. Schließen Sie die Servicetür ab.

BEDIENUNG

C-402C, C-402X UND C-403L

12. Lassen Sie etwas Wasser in das Becken laufen, indem Sie kurz auf den Spülknopf drücken, oder öffnen Sie den Schieber, indem Sie den Hebel entgegen dem Uhrzeigersinn drehen. Sie können jetzt Ihre Thetford Toilette benutzen.
13. Nach der Benutzung öffnen Sie den Schieber (wenn noch geschlossen), indem Sie den Hebel entgegen dem Uhrzeigersinn drehen. Sie spülen die Toilette, indem Sie einige Sekunden auf den Spülknopf drücken. **TIPPI!** Lassen Sie etwas Wasser in die Schüssel laufen, indem Sie den Spülhebel noch einmal auf- und abbewegen oder öffnen Sie den Ventilschieber unter der Toilettenschüssel, indem Sie ihn zu sich hin ziehen. Schließen Sie den Schieber nach der Benutzung.
Achtung! Lassen Sie kein Wasser im Becken stehen, wenn die Toilette nicht benutzt wird. Dies vermindert keine unangenehmen Gerüche und kann lediglich zu Verstopfung führen.
Anmerkung! Um Verstopfungen zu verhindern, empfehlen wir die Verwendung von Thetfords schnell auflösendem Toilettenpapier, Aqua Soft.
Wichtiger Warnhinweis! Bitte reisen Sie nicht mit einem zu vollen Spülwassertank (wir empfehlen, mit einem leeren Tank zu reisen, sicherheitshalber sollte er aber keinesfalls mehr als halbvoll sein). Während der Reise sollte sich auch kein Wasser im WC-Becken befinden. Wenn Sie diesen Hinweis nicht beachten, können Wasserschäden an Ihrem Wohnwagen oder Wohnmobil entstehen. Bitte Fahrt mit einem mehr als $\frac{3}{4}$ -vollem Fäkalientank vermeiden. Das könnte ein Leck durch das Lüftungssystem verursachen.

ENTLEEREN

Der Fäkalientank hat einen Inhalt von 19 Litern und muss spätestens dann geleert werden, wenn das rote Lämpchen der Füllstandsanzeige leuchtet. Das geschieht, wenn im Fäkalientank noch ein Rest von rund 2 Litern ist, was +/- 3 Benutzungen entspricht. Es wird empfohlen, den Fäkalientank bereits vorher zu entleeren.

Achtung! Lassen Sie den Fäkalientank nicht zu voll werden.

C-402C, C-402X UND C-403L

14. Sorgen Sie dafür, dass der Schieber geschlossen ist. Öffnen Sie die Servicetür an der Außenseite des Fahrzeugs. Ziehen Sie die Sicherungsklemme nach oben und entfernen Sie den Fäkalientank.
 15. Entfernen Sie zuerst den Wassertankfortsatz, um zu verhindern, dass dieser beim Entleeren des Fäkalientanks verloren geht.
 16. Bringen Sie den Fäkalientank in vertikale Position (ausklappbarer Hebel an der Oberseite, Räder an der Unterseite). Drücken Sie den Hebel nach unten und bewegen Sie den Hebel vom Fäkalientank weg, so dass dieser aus seiner Verriegelung springt.
 17. Ziehen Sie den Hebel nach oben und fahren Sie den Fäkalientank zu einer dafür vorgesehenen und genehmigten Entsorgungsstelle.
 18. Schieben Sie den Hebel zurück. Drehen Sie den Auslaufstutzen nach oben und entfernen Sie den Deckel vom Auslaufstutzen. Halten Sie mit einer Hand den Fäkalientank am oberen Handgriff und mit der anderen Hand den hinteren Handgriff, so dass der Belüftungsknopf während des Entleerens mit dem Daumen bedient werden kann. Um den Tank spritzerfrei zu entleeren, drücken Sie beim Entleeren den Belüftungsknopf vorsichtig ein. Spülen Sie den Tank nach dem Entleeren gründlich mit Wasser. Reinigen Sie auch den Schieber mit Wasser.
- Achtung!** Belüftungsknopf erst eindrücken, wenn der Auslaufstutzen nach unten weist!
19. Machen Sie erforderlichenfalls die Toilette wieder gebrauchsbereit. Setzen Sie den Wassertankfortsatz wieder an seine ursprüngliche Position am Fäkalientank. Schieben Sie den Fäkalientank in die Toilette und schließen Sie die Servicetür.

LAGERUNG

Wenn Sie Ihre Thetford Toilette längere Zeit nicht benutzen, ist es wichtig, zuerst die folgenden Anweisungen zu befolgen. Entleeren Sie den Wassertank vollständig über den Ablassschlauch, der ebenfalls als Füllstandsanzeige dient. Nehmen Sie den Ablassschlauch aus dem Haltebügel und ziehen Sie diesen nach unten von dem oberen Stöpsel ab. Schwenken Sie den Ablassschlauch nach außen durch die Türöffnung, so dass das Wasser herausläuft. Befestigen Sie anschließend den Ablassschlauch im Haltebügel und drücken Sie ihn danach wieder in den oberen Stöpsel.

C-403L

Lassen Sie das Wasser aus dem zentralen Wassersystem Ihres Wohnwagens oder Wohnmobils ab.

C-402C, C-402X UND C-403L

20. Öffnen Sie den Schieber, indem Sie den Hebel auf der Toilette entgegen dem Uhrzeigersinn drehen. Drücken Sie jetzt so lange auf den blauen Knopf, bis kein Wasser mehr in das Becken fließt. Schließen Sie den Schieber.

C-402C UND C-402X

21. Öffnen Sie die Tür an der Außenseite des Wohnwagens oder Wohnmobils und drehen Sie den Wasserfülltrichter nach außen. Entfernen Sie den Deckel und entleeren Sie den Wasserfülltrichter, indem Sie ihn eine Viertelumdrehung entgegen dem Uhrzeigersinn drehen.

C-402C, C-402X UND C-403L

22. Entfernen Sie den Fäkalientank und entleeren Sie diesen an einer dafür vorgesehenen und genehmigten Entsorgungsstelle. Folgen Sie den Anweisungen für die Reinigung und Wartung.
23. Setzen Sie den Fäkalientank zurück und öffnen Sie den Schieber, indem Sie den Hebel auf der Toilette nach links bewegen.

REINIGUNG UND WARTUNG

Die Toilette muss regelmäßig gereinigt und gewartet werden; die Intervalle sind dabei von der Frequenz der Benutzung abhängig. Reinigen Sie Thetford-Toiletten mit Wasser, Thetford Toilet Bowl Cleaner und Thetford Badreiniger.

Achtung! Verwenden Sie niemals Bleichmittel, Essig oder andere Haushaltsreiniger. Diese Mittel können bleibende Schäden an den Dichtungen und anderen Teilen der Toilette verursachen.

WC-Becken

- Geben Sie Thetford Toilet Bowl Cleaner in das Toilettenbecken und verwenden Sie Thetford Badreiniger für das Äußere der Toilette. Lesen Sie vor der Benutzung die Gebrauchsanweisung der Produkte.
- Spülen Sie das WC-Becken mit Wasser aus und wischen Sie den Rest der Toilette mit einem feuchten Tuch ab.
- Sitz und Deckel reinigen. Der Sitz und der Deckel können leicht abgenommen werden: Heben Sie die beiden Teile an und ziehen Sie die runden Stifte (im Scharnierbereich) aus den Stiftlöchern nach außen. Setzen Sie nach der Reinigung Sitz und Deckel wieder auf, indem Sie die runden Stifte vor die Stiftlöcher halten und Sitz und Deckel nach unten schieben.
- Um das Spülwasser frisch riechen zu lassen und Ablagerungen im WC-Becken vorzubeugen, geben Sie die richtige Dosierung Aqua Rinse in den Spülwassertank (wenn bei Ihrer Toilette vorhanden).

Tipp! Ihre Toilette glänzt wirklich richtig, wenn Sie diese nach dem Reinigen mit einem weichen, trockenen Tuch nachtrocknen.

Fäkalientank

Neben der Verwendung des Cassette Tank Cleaners von Thetford, dem kräftigsten Reinigungsmittel für die periodische Reinigung des Fäkalientanks Ihrer Toilette, schlagen wir Folgendes vor:

- Nehmen Sie den Mechanismus aus dem Fäkalientank, indem Sie diesen, wie auf dem Fäkalientank angegeben, entgegen dem Uhrzeigersinn drehen. Spülen Sie den kompletten Mechanismus unter dem Wasserhahn ab.
- Entfernen Sie die Abdeckplatte der automatischen Entlüftung, indem Sie diese mit Hilfe eines Schraubendrehers nach oben heben. Drücken Sie mit einer Hand die automatische Entlüftung auf, während Sie mit der anderen Hand an der Innenseite des Tanks den Schwimmer der automatischen Entlüftung ergreifen. Drücken Sie den Schwimmer nach oben, drehen Sie ihn eine halbe Umdrehung und nehmen Sie ihn nach unten heraus. Nehmen Sie die Gummidichtung, die sich unter dem Schwimmer befindet, heraus. Spülen Sie den Schwimmer und die Gummidichtung unter dem Wasserhahn ab. Setzen Sie die Gummidichtung und den Schwimmer der automatischen Entlüftung in derselben Weise zurück.

Die Gummidichtungen der Toilette (Dichtungen von Schieber, Mechanismus, automatischer Entlüftung und Deckel) müssen regelmäßig mit Thetford Pflegemittel für Dichtungen behandelt werden. Die Dichtungen bleiben dann weich und in guter Form. Auch wenn die Toilette für längere Zeit nicht benutzt wird, ist es wichtig, die

Dichtungen nach der Reinigung mit Thetford Pflegemittel für Dichtungen zu behandeln.

Achtung! Verwenden Sie nie Vaseline oder andere pflanzliche Öle außer Olivenöl. Diese können Lecks verursachen.

Hinweis: Die Dichtung des Schiebers ist ein Bestandteil der Toilette, der der Abnutzung unterliegt. Abhängig vom Ausmaß und der Art der Wartung lässt sich nach einer gewissen Zeit die Funktionsfähigkeit des Dichtungsringes nach und muss ersetzt werden.

GEBRAUCH IM WINTER

Sie können Ihre Thetford Cassettentoilette ganz normal während kalten Wetters verwenden, wenn die Toilette in einer warmen Umgebung steht. Ist dies nicht der Fall, besteht die Möglichkeit des Einfrierens. In diesem Fall empfehlen wir, das Wasser der Toilette entsprechend den Anweisungen im Abschnitt „Lagerung“ abzulassen.

Von der Verwendung von Frostschutzmitteln, zum Beispiel solchen, die im Kühler des Autos eingesetzt werden, wird im Zusammenhang mit Umweltverschmutzung abgeraten.

THETFORD GARANTIE

Thetford B.V. gewährt den Benutzern seiner Produkte eine Garantie von drei Jahren. Innerhalb der Garantiezeit wird Thetford im Falle von Defekten das Produkt ersetzen oder reparieren. Die Kosten für den Ersatz, der Arbeitslohn für den Ersatz defekter Teile und/oder die Kosten für die Ersatzteile selbst gehen in diesem Fall auf Rechnung von Thetford.

1. Um Ansprüche aus dieser Garantie geltend zu machen, muss der Benutzer das Produkt zu einem von Thetford anerkannten Service-Center bringen. Hier wird der Anspruch beurteilt.
2. Wenn zur Instandsetzung Teile des Produktes im Rahmen der Garantie ersetzt werden, gehen die betreffenden Ersatzteile in das Eigentum von Thetford über.
3. Die geltenden Verbraucherschutzgesetze werden von dieser Garantiebestimmung unverletzt gelassen.
4. Diese Garantie gilt nicht für Produkte, die für gewerbliche Zwecke verwendet werden oder wurden.
5. Jeglicher Garantieanspruch verfällt bei einem der folgenden Fälle:
 - das Produkt wurde unsachgemäß verwendet oder die Vorschriften in der Gebrauchsanweisung wurden nicht befolgt;
 - das Produkt wurde nicht gemäß den Vorschriften installiert;
 - am Produkt wurden Veränderungen vorgenommen;
 - das Produkt wurde von einem nicht von Thetford anerkannten Service-Center repariert;
 - die Seriennummer oder der Code des Produkts wurde geändert;
 - am Produkt sind Schäden entstanden aus Gründen, die nicht im normalen Gebrauch des Produktes selbst liegen.

KUNDENDIENST

Schauen Sie für mehr Informationen, oder wenn Sie Fragen zu Ihrer Toilette haben, auf unsere Website: www.thetford-europe.com. Hier finden Sie unter anderem häufig gestellte Fragen, Probleme und Lösungen, Reparaturanweisungen, Tipps und eine Liste mit Thetford-Händlern in Ihrer Umgebung. Sollten Sie darüber hinaus noch Fragen oder Bemerkungen haben, dann nehmen Sie bitte mit der Abteilung Kundendienst in Ihrem Land Kontakt auf (siehe die Adressen am Ende dieser Gebrauchsanweisung).

HAFTUNG

Thetford haftet nicht für Verluste und/oder Schäden als unmittelbare oder mittelbare Folge des Gebrauchs der Toilette.

NL Gebruiksaanwijzing

In deze gebruiksaanwijzing worden de uitvoeringen C-402C, C-402X en C-403L van het Thetford Cassette toilet behandeld. Deze uitvoeringen verschillen op enige punten in gebruik. Let u erop dat u die instructies opvolgt, die van toepassing zijn op uw toilet. De onderdelen en functies, waarnaar met letters wordt verwezen, zijn achterin deze gebruiksaanwijzing door middel van een uitklappagina in kaart gebracht. De te verrichten handelingen, waarnaar met cijfers wordt verwezen, staan voorin deze gebruiksaanwijzing op een uitklappagina uitgebeeld.

ONDERDELEN EN FUNCTIES

C-402C EN C-402X

- a. Hendel; opent en sluit de afsluitschuif.
- b. Spoeldrukknop; bij indrukken spoelt er water in de pot door middel van een elektrische pomp.
- c. Niveauiindicator display; bij volle afvaltank gaat het rode ledje op het display branden (C-402C en C-402X). Door kortstondig de spoeldrukknop in te drukken, toont het display het niveau in de afvaltank en het niveau in de watertank (C-402X).
- d. Afneembare bril en deksel.
- e. Afdekplaten.
- f. Opbergruimte voor toiletvloeistoffen (alleen bij hoog model).
- g. Beveiligingsklem; houdt de afvaltank op zijn plaats.
- h. Watervultrechter; voor gemakkelijk vullen van de watertank.
- i. Afdekplaat; garandeert een optimale hygiëne. Opent wanneer de afvaltank in het toilet geschoven wordt en sluit wanneer de afvaltank eruit genomen wordt.
- j. Uitneembaar mechanisme.
- k. Afsluitschuifopener.
- l. Afsluitschuif / afsluitrubber.
- m. Beluchtingsknop; voor legen zonder spatten.
- n. Bovenhandvat.
- o. Automatische ontluchting; ontluucht de afvaltank wanneer deze in het Cassette toilet geschoven is. Voorkomt overdruk in de afvaltank.
- p. Uitschuifbare handgreep; voor het eenvoudig transporteren van de afvaltank.
- q. Wielen.
- r. Draaibare schenkuit; zorgt ervoor dat de afvaltank gemakkelijk en hygiënisch geleegd kan worden.
- s. Watervulverlenging.
- t. Toegangsdeur tot afvaltank en watervultrechter; aan de buitenzijde van het voertuig te vergrendelen.

ONDERDELEN EN FUNCTIES C-403L

- a. Hendel; opent en sluit de afsluitschuif.
- b. Spoeldrukknop; bij indrukken spoelt er water in de pot door middel van de centrale elektrische pomp in het voertuig.
- c. Niveauiindicator display; bij volle afvaltank gaat het rode ledje op het display branden. Door kortstondig de spoelknop in te drukken, toont het display het niveau in de afvaltank.
- d. Afneembare bril en deksel.
- e. Afdekplaten.
- f. Opbergruimte voor toiletvloeistoffen (alleen bij hoog model).
- g. Beveiligingsklem; houdt de afvaltank op zijn plaats.
- h. Afdekplaat; garandeert een optimale hygiëne. Opent wanneer de

afvaltank in het toilet geschoven wordt.

- i. Uitneembaar mechanisme.
- j. Afsluitschuifopener.
- k. Afsluitschuif / afsluitrubber.
- l. Beluchtingsknop; voor legen zonder spatten.
- m. Automatische ontluchting; ontluucht de afvaltank wanneer deze in het Cassette toilet geschoven is. Voorkomt overdruk in de afvaltank.
- n. Bovenhandvat; voor gemakkelijk legen.
- o. Uitschuifbare handgreep; voor het eenvoudig transporteren van de afvaltank.
- p. Wielen.
- q. Draaibare schenkuit; zorgt ervoor dat de afvaltank gemakkelijk en hygiënisch geleegd kan worden.
- r. Toegangsdeur tot afvaltank; aan de buitenzijde van het voertuig te vergrendelen.

INLEIDING

Met het Thetford Cassette toilet heeft u een kwaliteitsproduct in handen. Door het functionele ontwerp worden moderne vormgeving en gebruiksgemak gecombineerd en vormt het toilet een geïntegreerd onderdeel van de badkamer van uw caravan of camper. Het Cassette toilet is vervaardigd van hoogwaardige kwaliteit kunststof. Dit maakt het tot een duurzaam, gebruiks- en onderhoudsvriendelijk toilet.

Het toilet bestaat uit twee delen: een permanent gemonteerd gedeelte en een van buiten toegankelijke, uitneembare afvaltank. De uitneembare afvaltank bevindt zich onder de toiletpot en kan via een deurtje aan de buitenkant van caravan of camper worden uitgenomen.

Het Thetford Cassette toilet is de oplossing voor het sanitaire probleem in uw caravan of camper!

VOORBEREIDING VOOR GEBRUIK

C-402C, C-402X EN C-403L

1. Open de toegangsdeur aan de buitenzijde van uw caravan of camper.

C-402C EN C-402X

2. Draai de schenkuit van de afvaltank 90 graden en verwijder de watervulverlenging (de watervulverlenging zit bevestigd onder het handvat bij de schenkuit).
3. Draai de watervultrechter naar buiten, verwijder de dop en plaats de watervulverlenging op de watervultrechter. Voeg de aangegeven hoeveelheid Thetford spoelwater toe voor de spoelwater tank toe. Dit zorgt voor een betere en schonere spoeling en houdt het water van de spoelwater tank fris. Vul hierna de spoelwater tank met schoon water.
4. Vul de spoelwater tank met schoon water. Let op: houd het water-niveau onder de bovenkant van de watervultrechter.
5. Verwijder de watervulverlenging en plaats deze terug op de originele plaats op de afvaltank.
Let op: afhankelijk van de ruimte tussen de deur en de afvaltank, kan de watervulverlenging ook middels een haakje aan de binnenkant van de deur bevestigd zijn. Schroef de dop terug op de watervultrechter en draai deze naar binnen tegen de zijkant van de spoelwater tank aan.
Opmerking: Er blijft 150 ml water in de watervultrechter staan als de watertank leeg is.

C-402C, C-402X EN C-403L

6. Verwijder de afvaltank door de beveiligingsklem naar boven te trekken.
7. Trek de afvaltank naar buiten tot tegen de aanslag. Kantel hem enigszins en neem de tank geheel uit.
8. Zet de tank rechtop en draai de schenkuit omhoog.
9. Draai de dop, met aan de binnenzijde de doseerbeker, van de schenkuit en schenk de aangegeven hoeveelheid toiletvloeistof in de afvaltank. Hierdoor worden nare geurtjes in de afvaltank voorkomen en wordt de binnenzijde van de afvaltank schoongehouden. Voeg vervolgens nog ongeveer 2 liter water toe, zodat de bodem van de afvaltank geheel bedekt is. Draai hierna de doseerdop terug op de schenkuit. Draai de schenkuit terug in de oorspronkelijke stand.
N.B.: De doseerdop van de schenkuit bevindt zich bij aflevering in dezelfde verpakking als deze gebruiksaanwijzing.
Waarschuwing! Voeg nooit toiletvloeistof toe via de afsluitschuif of via de toiletpot. In de afvaltank wordt de vloei stof meteen met water vermengd.
10. Schuif de afvaltank weer via het deurtje in zijn originele positie.
Let op! Duw nooit met kracht de afvaltank naar binnen als het niet lukt de tank op zijn plaats te krijgen. Dit kan tot ernstige beschadigingen leiden.
11. Zorg ervoor dat de afvaltank vergrendeld is met de beveiligingsklem. Sluit de toegangsdeur en doe deze op slot.

GEBRUIK

C-402C, C-402X EN C-403L

12. Laat wat water in de pot lopen door even op de spoelknop te drukken of open de afsluitschuif door de hendel tegen de klok in te draaien. U kunt nu gebruik maken van uw Thetford toilet.
13. Na gebruik opent u de afsluitschuif (indien nog gesloten) door de hendel tegen de klok in te draaien. U spoelt het toilet door enige seconden op de spoelknop te drukken. **TIP!** Het doorspoelen van het toilet verloopt efficiënter als u het spoelwater laat pulseren door de spoelknop meerdere malen achter elkaar in te drukken. Sluit de afsluitschuif na gebruik.
Let op! Laat geen water in de pot staan, als het toilet niet wordt gebruikt. Dit helpt niet bij het reduceren van stank en kan slechts leiden tot overstroming.

Opmerking: Om verstoppingen te voorkomen, raden wij aan om Thetford's snel oplossend toiletpapier, Aqua Soft, te gebruiken.

Belangrijke waarschuwing! Zorg ervoor dat de spoelwater tank tijdens het rijden niet te vol is. De tank mag maximaal half vol zijn. (U kunt echter het best met een lege spoelwater tank rijden.) Bovendien moet u ervoor zorgen dat er tijdens het rijden geen water in de toilet pot staat. Als u deze voorzorgsmaatregelen niet in acht neemt, kan er waterschade aan uw caravan of camper ontstaan. U wordt aangeraden om niet op reis te gaan met een afvaltank die meer dan ¾ vol is. Dit kan lekkage via het ventilatiesysteem veroorzaken.

LEGEN

De afvaltank heeft een inhoud van 19 liter en moet uiterlijk geleegd worden als het rode lampje van het niveau display brandt. Het indicatielampje gaat branden als er in de afvaltank nog een restcapaciteit van ongeveer 2 liter is, wat neerkomt op +/- 3 gebruiken.

Aanbevolen is om de afvaltank reeds eerder te legen.

Let op! Laat de afvaltank niet te vol worden.

C-402C, C-402X EN C-403L

14. Zorg ervoor dat de afsluitschuif gesloten is. Open de toegangsdeur aan de buitenzijde van het voertuig. Trek de beveiligingsklem naar boven en verwijder de afvaltank.
15. Verwijder allereerst de watervulverlenging om te voorkomen dat deze verloren gaat tijdens het legen van de afvaltank.
16. Plaats de afvaltank verticaal (uitschuifbare hendel aan de bovenzijde, wielen aan de onderzijde). Druk de hendel naar beneden en beweeg de hendel van de afvaltank vandaan, zodat deze uit zijn vergrendeling springt.
17. Trek de hendel naar boven en rijd de afvaltank naar een daarvoor bestemde toegestane stortplaats.
18. Schuif de hendel terug. Draai de schenktuit omhoog en verwijder de dop van de schenktuit. Pak met één hand de afvaltank bij het bovenhandvat en plaats uw andere hand bij de achterhandgreep, zodat de beluchtingsknop tijdens het legen met de duim bediend kan worden. Druk, om de tank spatvrij te legen, tijdens het legen de beluchtingsknop beheerst in. Spoel na het legen de tank goed met water. Reinig ook de afsluitschuif met water.
Let op! Beluchtingsknop pas indrukken als de schenktuit naar beneden wijst!
19. Maak, indien nodig, het toilet weer gereed voor gebruik. Plaats de watervulverlenging terug op de originele plaats op de afvaltank. Schuif de afvaltank in het toilet en sluit de toegangsdeur.

NL OPSLAG

Voordat u uw Thetford toilet langere tijd niet gaat gebruiken, is het van belang dat u onderstaande instructies opvolgt.

Leeg de watertank in zijn geheel via de aftapslang, tevens niveaumeter voor de watertank. Haal de aftapslang/niveaumeter uit de bevestigingsbeugel en trek deze naar beneden van de bovenstop af. Draai de aftapslang naar buiten door de deuropening zodat het water eruit loopt. Plaats naderhand de aftapslang eerst in de bevestigingsbeugel en duw het daarna omhoog over de bovenstop.

C-403L

Tap het centrale watersysteem van uw caravan of camper af.

C-402C, C-402X EN C-403L

20. Open de afsluitschuif door de hendel op het toilet tegen de klok in te draaien. Druk nu zo lang op de blauwe knop tot er geen water meer de pot instroomt. Sluit de afsluitschuif.

C-402C EN C-402X

21. Open het deurtje aan de buitenzijde van de caravan of camper en draai de watervultrechter naar buiten. Verwijder de dop en leeg de watervultrechter door hem een kwart slag tegen de klok in te draaien.

C-402C, C-402X EN C-403L

22. Verwijder de afvaltank en leeg deze op een daartoe bestemde, toegestane stortplaats. Volg de instructies voor schoonmaak en onderhoud.
23. Plaats de afvaltank terug en open de afsluitschuif door de hendel op het toilet naar links te bewegen.

SCHOONMAAK EN ONDERHOUD

Het wordt aanbevolen het toilet regelmatig te reinigen en te onderhouden, afhankelijk van de mate van gebruik. Voor het reinigen van het toilet wordt het gebruik van water en Thetford Badkamerreiniger en Thetford Toilet Bowl Cleaner aanbevolen.

Let op! Gebruik geen bleekmiddel, azijn of andere krachtige huishoudelijke schoonmaakmiddelen waarin deze stoffen zijn verwerkt. Deze middelen kunnen blijvende schade veroorzaken aan de afdichtingen en andere onderdelen van het toilet.

Toiletpot

- Spray Thetford Toilet Bowl Cleaner in de toiletpot en gebruik Thetford Badkamerreiniger voor de buitenkant van het toilet. Lees voor gebruik de productinstructies.
- Spoel de toiletpot met water schoon en veeg de rest af met een vochtige doek.
- Reinig de bril en het deksel. De bril en het deksel zijn gemakkelijk te verwijderen. Til de bril en het deksel tegelijkertijd op en trek de ronde pennen (aan de binnenkant van de bril en het deksel) uit de gaatjes naar buiten. Plaats de bril en het deksel na het reinigen weer terug door de ronde pennen boven de gaatjes te houden en vervolgens het deksel en de bril omlaag te drukken.
- Om het spoelwater fris te houden en te voorkomen dat er zich een afzetting in de toiletpot vormt, dient u de juiste dosering Aqua Rinse in de spoelwatertank (indien aanwezig) te schenken.
Tip! Droog voor een glanzend resultaat het toilet na het reinigen af met een zachte, droge doek.

Afvaltank

Behalve het gebruik van Cassette Tank Cleaner, het krachtige reinigingsmiddel van Thetford voor het periodiek reinigen van de afvaltank van het toilet, is het raadzaam onderstaande instructies op te volgen:

- Neem het mechanisme uit de afvaltank door deze, zoals aangegeven op de afvaltank, tegen de klok in te draaien. Spoel het complete mechanisme af onder de kraan.
- Verwijder het afdekplaatje van de automatische ontluchting door deze met behulp van een schroevendraaier omhoog te wippen. Duw met uw ene hand de automatische ontluchting open, terwijl u met uw andere hand aan de binnenkant van de tank de vlotter van de automatische ontluchting vastpakt. Duw de vlotter omhoog, draai de vlotter een halve slag en neem de vlotter naar onderen uit. Neem de rubberen afdichting die zich onder de vlotter bevindt uit. Spoel de vlotter en de rubberen afdichting af onder de kraan. Plaats de rubberen afdichting en vlotter van de automatische ontluchting op dezelfde manier terug.

De rubberen afdichtingen van het toilet (afdichting van de schuif, afdichting van het mechanisme, afdichting van de automatische ontluchting, afdichting van de dop) dienen regelmatig te worden behandeld met Thetford Siliconenspray. De afdichtingen blijven dan soepel en in goede vorm. Ook wanneer het toilet voor langere tijd niet gebruikt wordt, is het belangrijk om de afdichtingen na reiniging te behandelen met Thetford Siliconenspray.

Let op! Gebruik nooit vaseline of andere plantaardige oliën dan olijfolie. Deze kunnen lekkage veroorzaken.

N.B. De afdichting van de schuif is een onderdeel van het toilet dat onderhevig is aan slijtage. Afhankelijk van de mate en wijze van onderhoud, vermindert na een bepaalde periode de functie en dient de afdichting te worden vervangen.

GEBUIK IN DE WINTER

U kunt uw Thetford Cassette toilet gewoon gebruiken tijdens koud weer indien het toilet in een verwarmde omgeving staat. Wanneer dit niet het geval is, bestaat de kans op bevriezing. In dat geval raden wij aan om het toilet af te tappen door de instructies onder "Opslag" te volgen.

Het gebruik van antivriesmiddel, zoals bijvoorbeeld antivriesmiddel welke gebruikt wordt voor de radiator van een auto wordt niet geadviseerd in verband met milieubelasting.

THETFORD GARANTIE

Thetford B.V. biedt de eindgebruikers van haar producten een garantie van drie jaar. Binnen de garantietermijn zal Thetford, in geval van defecten, overgaan tot vervanging of herstel van het product. De kosten voor vervanging, arbeidsloon voor het vervangen van defecte onderdelen en/of de kosten van de onderdelen zelf komen in dit geval voor rekening van Thetford.

1. Om aanspraak te kunnen maken op deze garantie moet de gebruiker het product naar een door Thetford erkend Service Centre brengen. Hier zal de aanspraak worden beoordeeld.
2. Indien voor herstel onderdelen van het product onder garantie worden vervangen, worden de betreffende onderdelen eigendom van Thetford.
3. De geldende consumentenwetgeving wordt door deze garantie-bepaling onverlet gelaten.
4. Deze garantie geldt niet voor producten die voor commerciële doeleinden gebruikt worden of zijn.
5. Iedere aanspraak op garantie vervalt in één van de volgende gevallen:
 - het product onoordeelkundig is gebruikt of de voorschriften in de handleiding niet zijn opgevolgd;
 - het product niet volgens voorschriften is geïnstalleerd;
 - er veranderingen aan het product zijn aangebracht;
 - het product door een niet door Thetford erkend Service Centre is gerepareerd;
 - het serienummer of de code van het product is gewijzigd;
 - schade aan het product is ontstaan door omstandigheden buiten het normaal gebruik van het product zelf.

KLANTENSERVICE

Kijk voor meer informatie of vragen over uw toilet op onze website, www.thetford-europe.com. Hier vindt u onder andere veel gestelde vragen, problemen en oplossingen, reparatieinstructies, tips en een lijst met Thetford dealers bij u in de buurt. Mocht u desondanks nog vragen of opmerkingen hebben, neemt u dan contact op met de afdeling Customer Service van uw land (zie de adressen achterop deze handleiding).

AANSPRAKELIJKHEID

Thetford is niet aansprakelijk voor verlies en/of schade als direct of indirect gevolg van gebruik van het toilet.

IT Istruzioni per l'uso

Il presente manuale contiene le istruzioni per l'uso delle toilette a Cassette Thetford modelli C-402C, C-402X e C-403L. Questi modelli differiscono leggermente l'uno dall'altro nell'uso. Seguire attentamente le istruzioni relative alla toilette che si utilizza. I componenti e le funzioni, indicate con lettere, sono illustrati in un pieghevole contenuto sul retro di questo manuale. Le operazioni da eseguire, indicate con cifre, sono illustrate in un pieghevole riportato all'inizio di questo manuale.

COMPONENTI E FUNZIONI DEI MODELLI C-402C E C-402X

- a. Manopola: apre e chiude la valvola di scarico.
- b. Pulsante per risciacquo: premendolo, attraverso una pompa elettrica, la tazza viene risciacquata con acqua.
- c. Indicatore di livello del serbatoio di scarico: quando il serbatoio di scarico è pieno, la spia rossa situata sul display si illumina (C-402C e C-402X). Premendo brevemente il pulsante di risciacquo, sul display viene visualizzato il livello del serbatoio di scarico e del serbatoio dell'acqua (C-402X).
- d. Sedile e coperchio removibili.
- e. Coperchi di chiusura.
- f. Scomparto per contenere i liquidi sanitari (solo nei modelli alti).
- g. Supporto di bloccaggio: mantiene in posizione il serbatoio di scarico.
- h. Imbuto per rifornimento dell'acqua: per facilitare il rifornimento del serbatoio dell'acqua.
- i. Coperchio di chiusura: garantisce un'igiene ottimale. Si apre automaticamente quando il serbatoio di scarico viene inserito nella toilette e si chiude quando il serbatoio di scarico viene tolto dalla toilette.
- j. Meccanismo removibile.
- k. Dispositivo di apertura della valvola di scarico.
- l. Valvola di scarico / guarnizione di tenuta.
- m. Pulsante di aerazione: evita problemi di spruzzi durante lo svuotamento del serbatoio.
- n. Maniglia superiore.
- o. Valvola di decompressione del serbatoio di scarico: si apre automaticamente quando il serbatoio di scarico viene inserito nella toilette a Cassette. Tale dispositivo impedisce che la pressione nel serbatoio raggiunga valori troppo alti.
- p. Impugnatura: consente di estrarre e trasportare con facilità il serbatoio di scarico.
- q. Ruote.
- r. Manicotto di scarico girevole: consente di svuotare facilmente il serbatoio di scarico in modo igienico.
- s. Prolunga per il rifornimento dell'acqua.
- t. Sportello di accesso al serbatoio di scarico e all'imbuto per rifornimento dell'acqua: è dotato di serratura all'esterno.

COMPONENTI E FUNZIONI DEL MODELLO C-403L

- a. Manopola: apre e chiude la valvola di scarico.
- b. Pulsante per risciacquo: premendolo, attraverso una pompa elettrica, la tazza viene risciacquata con acqua.
- c. Indicatore di livello del serbatoio di scarico: quando il serbatoio di scarico è pieno, la spia rossa situata sul display si illumina. Premendo brevemente il pulsante di risciacquo, sul display viene

- visualizzato il livello del serbatoio di scarico.
- d. Sedile e coperchio removibili.
- e. Coperchi di chiusura.
- f. Scomparto per contenere i liquidi sanitari (solo nei modelli alti).
- g. Supporto di bloccaggio: mantiene in posizione il serbatoio di scarico.
- h. Coperchio di chiusura: garantisce un'igiene ottimale. Si apre automaticamente quando il serbatoio di scarico viene inserito nella toilette.
- i. Meccanismo removibile.
- j. Dispositivo di apertura della valvola di scarico.
- k. Valvola di scarico / guarnizione di tenuta.
- l. Pulsante di aerazione: evita problemi di spruzzi durante lo svuotamento del serbatoio.
- m. Valvola di decompressione del serbatoio di scarico: si apre automaticamente quando il serbatoio di scarico viene inserito nella toilette a Cassette. Tale dispositivo impedisce che la pressione nel serbatoio raggiunga valori troppo alti.
- n. Maniglia superiore: facilita lo svuotamento.
- o. Impugnatura: consente di estrarre e trasportare con facilità il serbatoio di scarico.
- p. Ruote.
- q. Manicotto di scarico girevole: consente di svuotare facilmente il serbatoio di scarico in modo igienico.
- r. Sportello di accesso al serbatoio di scarico: è dotato di serratura all'esterno.

INTRODUZIONE

Con l'acquisto della Thetford Cassette Vi siete assicurati un prodotto di alta qualità. Grazie al design funzionale si ha un connubio di stile moderno e praticità d'uso, per cui la toilette forma parte integrante del bagno del vostro camper o caravan. La toilette a Cassette è fabbricata con plastica di elevata qualità, che la rende un prodotto durevole, pratico e di facile manutenzione.

La toilette è formata da due parti: una parte fissa e un serbatoio di scarico estraibile dall'esterno. Quest'ultimo si trova sotto la tazza della toilette e può essere rimosso attraverso uno sportellino d'accesso situato all'esterno del camper o caravan.

La toilette a Cassette Thetford è la soluzione al problema dei sanitari nel vostro camper o caravan!

PREPARATIVI PRIMA DELL'USO C-402C, C-402X E C-403L

1. Aprire lo sportellino d'accesso all'esterno del camper o caravan.

C-402C E C-402X

2. Ruotare il bocchettone di svuotamento del serbatoio di scarico di 90 gradi e rimuovere la prolunga per il rifornimento dell'acqua (ubicata sotto la leva molto prossima al bocchettone di svuotamento).
3. Ruotare l'imbuto per il rifornimento dell'acqua verso l'esterno, togliere il coperchio e posizionare la prolunga sull'imbuto per il rifornimento dell'acqua. Aggiungere la quantità prescritta di additivo speciale per toilette nel serbatoio dell'acqua. Tale additivo garantisce un risciacquo più efficiente e pulito e mantiene pura l'acqua del serbatoio di risciacquo.
4. Rifornire di acqua pulita il serbatoio dell'acqua.
Attenzione: mantenere il livello dell'acqua al di sotto della sommità dell'imbuto per il rifornimento dell'acqua.

5. Togliere la prolunga e riportarla nella sede originaria sul serbatoio di scarico.
Nota: in base allo spazio tra lo sportello e il serbatoio di scarico, è anche possibile fissare la prolunga sullo sportello con un gancio. Riavvitare il coperchio sull'imbuto per il rifornimento dell'acqua e spingere quest'ultimo nuovamente all'interno, verso il lato del serbatoio dell'acqua di risciacquo.
Nota: Quando il serbatoio dell'acqua è vuoto, nell'imbuto per il rifornimento dell'acqua rimangono 150 ml di acqua.

C-402C, C-402X E C-403L

6. Estrarre il serbatoio di scarico, tirando verso l'alto il supporto di bloccaggio.
7. Tirare il serbatoio di scarico verso l'esterno fino al dispositivo di arresto. Inclinare leggermente ed estrarlo.
8. Mettere il serbatoio in posizione verticale e ruotare il manicotto di scarico verso l'alto.
9. Togliere il tappo dal manicotto di scarico e, con l'ausilio del dosatore di cui è dotato, versare nel serbatoio di scarico la quantità indicata di liquido per toilette Thetford. Questo previene odori sgradevoli nel serbatoio di scarico e evita la formazione di incrostazioni. Quindi, aggiungere circa 2 litri di acqua, in modo che il fondo del serbatoio sia completamente immerso. Infine, richiudere il tappo di dosaggio sul manicotto di scarico e riportarlo nella posizione originale.
N.B.: al momento della consegna il tappo di dosaggio del manicotto di scarico si trova nella stessa confezione delle istruzioni per l'uso.
Avvertenza! Non versare mai liquido sanitario attraverso la valvola di scarico o nella tazza della toilette.
10. Inserire nuovamente il serbatoio di scarico nella posizione originale attraverso lo sportellino d'accesso.
Attenzione! Se non si riesce ad inserire facilmente il serbatoio, non forzare mai l'ingresso nella toilette, per non provocare gravi danni.
11. Assicurarsi che il serbatoio di scarico sia bloccato con il supporto di bloccaggio. Chiudere lo sportellino d'accesso con la chiave.

USO

C-402C, C-402X E C-403L

12. Fare scorrere un po' d'acqua nella tazza premendo brevemente il pulsante di risciacquo, oppure aprire la valvola di scarico ruotando la manopola in senso antiorario. A questo punto la toilette Thetford è pronta per l'uso.
13. Dopo l'uso, aprire la valvola di scarico (se chiusa) ruotando la manopola in senso antiorario. Per risciacquare la toilette premere il pulsante di risciacquo per alcuni secondi. **SUGGERIMENTO!** Lo scarico della toilette è più efficace se si preme per più volte consecutive il pulsante dello sciacquone. Dopo l'uso chiudere la valvola di scarico.
Attenzione! Non lasciare acqua nella tazza quando la toilette non viene utilizzata. Ciò non aiuta a ridurre gli odori sgradevoli e può portare unicamente alla fuoriuscita dell'acqua dalla tazza.
Nota! Per prevenire ostruzioni, si consiglia di utilizzare la carta igienica Aqua Soft Thetford, che si scioglie rapidamente.
Avvertenza importante! Non viaggiare con il serbatoio dell'acqua pulita troppo pieno (l'ideale è che sia vuoto, ma assolutamente non oltre la metà della capienza). Non viaggiare con acqua nella tazza della toilette. Il mancato rispetto di queste avvertenze può causare danni da allagamento al camper o alla roulotte. Evitare di viaggiare con un serbatoio di scarico pieno per più di 3/4. Si potrebbero causare perdite tramite l'impianto di ventilazione.

SVUOTAMENTO

Il serbatoio di scarico ha una capacità di 19 litri e deve essere svuotato al più tardi quando si illumina la spia rossa del display di livello. La spia si illumina quando nel serbatoio vi è una capacità residua di circa 2 litri, corrispondenti a +/- 3 utilizzi. Si consiglia di svuotare il serbatoio di scarico prima.

Attenzione! Non lasciare che il serbatoio di scarico si riempia troppo.

C-402C, C-402X E C-403L

14. Assicurarsi che la valvola di scarico sia chiusa. Aprire lo sportellino d'accesso all'esterno del veicolo. Tirare verso l'alto il supporto di bloccaggio ed estrarre il serbatoio di scarico.
 15. Togliere prima la maniglia per il rifornimento dell'acqua, onde evitare di perderla durante lo svuotamento del serbatoio di scarico.
 16. Mettere il serbatoio di scarico in posizione verticale (impugnatura in alto, ruote in basso). Premere la manopola verso il basso e allontanarla dal serbatoio di scarico in modo che fuoriesca dal blocco.
 17. Sfilare la maniglia verso l'alto e portare il serbatoio di scarico al punto di scarico autorizzato.
 18. Reintrodurre la maniglia. Portare verso l'alto il manicotto di scarico e rimuovere il relativo tappo. Afferrare con una mano il serbatoio di scarico dalla maniglia superiore e afferrare con l'altra mano l'impugnatura posteriore, in modo che il pulsante d'aerazione possa essere controllato con il pollice durante lo svuotamento del serbatoio. Per evitare gli spruzzi, durante lo svuotamento tenere premuto il pulsante d'aerazione. Dopo lo svuotamento, sciacquare bene il serbatoio con acqua e lavare anche la valvola di scarico.
- Attenzione!** Premere il pulsante d'aerazione solo quando il manicotto di scarico è rivolto verso il basso!
19. Se necessario, preparare nuovamente per l'uso la toilette. Riporre la prolunga per il rifornimento dell'acqua nella sede originaria sul serbatoio dell'acqua. Inserire il serbatoio di scarico nella toilette e chiudere lo sportello di accesso.

MAGAZZINAGGIO

Prima di un lungo periodo di inutilizzo della toilette Thetford, è essenziale seguire le istruzioni riportate di seguito. Svuotare completamente il serbatoio dell'acqua attraverso il tubo di scarico, che funge anche da indicatore di livello. Estrarre il tubo di scarico dal morsetto e tirarlo con attenzione verso il basso dal connettore superiore. Dirigere il tubo verso l'esterno tramite l'apertura sullo sportello di accesso per consentire la fuoriuscita dell'acqua. Al termine, ricordarsi di riposizionare il tubo nel morsetto e di spingerlo nuovamente nel connettore superiore.

C-403L

Svuotare l'impianto centrale dell'acqua del camper o caravan.

C-402C, C-402X E C-403L

20. Aprire la valvola di scarico ruotando in senso antiorario la manopola situata sulla toilette. Premere il pulsante blu fino a quando nella tazza non fluisce più acqua, chiudere la valvola di scarico.

C-402C E C-402X

21. Aprire lo sportellino d'accesso all'esterno del camper o caravan e ruotare l'imbuto per il rifornimento dell'acqua verso l'esterno. Rimuovere il tappo e svuotare l'imbuto ruotandolo di un quarto di giro in senso antiorario.

C-402C, C-402X E C-403L

22. Estrarre il serbatoio di scarico e svuotarlo in un punto di scarico autorizzato attenendosi alle istruzioni per la pulizia e la manutenzione.
23. Reinserire il serbatoio di scarico e aprire la valvola di scarico ruotando verso sinistra la manopola situata sulla toilette.

PULIZIA E MANUTENZIONE

La toilette deve essere regolarmente pulita e sottoposta a manutenzione, in base alla frequenza di utilizzo. Si consiglia di pulire le toilette Thetford con acqua e detergente per bagni Thetford & Thetford Toilet Bowl Cleaner.

N.B. Non usare mai candeggina, aceto o altri prodotti per uso domestico aggressivi che contengono queste sostanze, in quanto possono danneggiare permanentemente le guarnizioni e altri componenti della toilette.

Tazza della toilette

- Spruzzare Toilet Bowl Cleaner di Thetford nella tazza della toilette ed utilizzare il detergente per bagni Thetford per la parte esterna della toilette. Leggere le istruzioni del prodotto prima dell'uso.
- Sciacquare la tazza con acqua e pulire il resto della toilette con un panno umido.
- Pulire sedile e coperchio. È molto semplice rimuovere sedile e coperchio: Sollevare il gruppo sedile e coperchio e tirare i perni rotondi (all'interno del gruppo) fuori dai fori dei perni. Dopo la pulizia, reinserrire sedile e coperchio posizionando i perni rotondi davanti ai fori dei perni e premendo sedile e coperchio verso il basso.
- Per mantenere l'acqua pulita fresca ed evitare le formazioni di incrostazioni all'interno della tazza della toilette, aggiungere la giusta quantità di Aqua Rinse nel serbatoio dell'acqua pulita, se la toilette ne è dotata.
- Se la toilette è dotata di una pompa elettrica per svuotamento serbatoio di scarico, ricordare di pulire regolarmente il meccanismo di collegamento tra il serbatoio di scarico e la pompa elettrica per svuotamento serbatoio, applicando inoltre lo spray lubrificante al silicone ad alta resistenza di Thetford.

Suggerimento! Per una toilette ancora più brillante, dopo la pulizia, asciugarla con un panno morbido e asciutto.

Serbatoio di scarico

Dopo aver usato Thetford Cassette Tank Cleaner, il potente detergente per la pulizia periodica del serbatoio di scarico della toilette, si consiglia di seguire le istruzioni riportate qui di seguito.

- Estrarre il meccanismo dal serbatoio di scarico ruotandolo in senso antiorario come indicato sul serbatoio stesso. Risciacquare il meccanismo completo sotto acqua corrente.
- Smontare il coperchio di chiusura dello sfiato automatico facendolo scattare verso l'alto con un cacciavite. Premere con una mano lo sfiato automatico per aprirlo, e afferrare con l'altra mano il galleggiante dello sfiato automatico all'interno del serbatoio. Spingere il galleggiante verso l'alto, ruotarlo di mezzo giro ed estrarlo dal basso. Rimuovere la guarnizione di tenuta che è situata sotto il galleggiante. Sciacquare il galleggiante e la guarnizione di tenuta sotto acqua corrente. Rimontare la guarnizione di tenuta e il galleggiante dello sfiato automatico nella posizione originale.

Le guarnizioni di tenuta della toilette (della valvola, del meccanismo, dello sfiato automatico e del tappo) devono essere trattate regolarmente con Spray al Silicone Thetford, per mantenerle flessibili

e in buone condizioni. È importante trattare le guarnizioni di tenuta con Spray al Silicone Thetford dopo la pulizia anche quando non si utilizza la toilette per molto tempo.

Attenzione! Non utilizzare mai vaselina o altri oli vegetali diversi dall'olio di oliva, perché possono causare delle perdite.

N.B. La guarnizione di tenuta della valvola è un componente della toilette soggetto a usura. A seconda della misura e del tipo di manutenzione, dopo un determinato periodo la guarnizione deve essere sostituita in quanto perderà la sua tenuta.

USO DELLA TOILETTE IN INVERNO

La toilette a Cassette Thetford può essere usata anche in inverno purché in un ambiente riscaldato. In caso contrario esiste il pericolo di congelamento. In tal caso si consiglia di svuotare la toilette seguendo le istruzioni contenute nella sezione 'Magazzinaggio'.

Si sconsiglia l'uso di antigelo, ad esempio quello utilizzato per il radiatore dell'automobile, in quanto esso è nocivo per l'ambiente.

GARANZIA THETFORD

Thetford B.V. offre una garanzia di tre anni agli utenti finali dei propri prodotti. Durante questo periodo di garanzia, in caso di difetti, Thetford procederà alla sostituzione o riparazione del prodotto. Le spese per la sostituzione, la manodopera per la sostituzione di componenti difettosi e/o le spese per i componenti stessi saranno in tal caso sostenute da Thetford.

1. Per poter fare uso di questa garanzia, l'utente deve portare il prodotto presso un Centro di Assistenza autorizzato Thetford, che prenderà in esame il reclamo.
2. I componenti sostituiti in garanzia devono essere restituiti a Thetford.
3. Le vigenti norme di legge a tutela dei consumatori, non vengono modificate da queste disposizioni di garanzia.
4. La garanzia non vale per prodotti che vengono utilizzati o sono intesi per scopi commerciali.
5. La garanzia sarà nulla in uno dei seguenti casi:
 - il prodotto è stato utilizzato in modo negligente o non si sono osservate le disposizioni contenute nel manuale;
 - il prodotto non è stato installato secondo le disposizioni;
 - il prodotto è stato modificato;
 - il prodotto è stato riparato da un centro assistenza non autorizzato da Thetford;
 - il numero di serie o il codice del prodotto sono stati modificati;
 - il prodotto ha subito dei danni perché è stato utilizzato in condizioni diverse da quelle previste per un impiego normale.

ASSISTENZA AI CLIENTI

Per maggiori informazioni o quesiti sulla toilette si invita a visitare il nostro sito www.thetford-europe.com, dove troverete le risposte alle domande più frequenti, problemi e soluzioni, istruzioni per le riparazioni, consigli e un elenco dei concessionari Thetford. Se ciononostante desiderate sottoporre quesiti o osservazioni, vi invitiamo a mettervi in contatto con il Servizio Assistenza Clienti nel vostro paese (gli indirizzi sono riportati sul retro del presente manuale).

RESPONSABILITÀ

Thetford non è responsabile per perdita e/o danni diretti o indiretti in seguito all'uso della toilette.

PT Instruções de utilização

As presentes instruções de utilização aplicam-se aos modelos C-402C, C-402X e C-403L das sanitas Cassette da Thetford. No que se refere à sua utilização, estes modelos diferem em alguns aspectos. Certifique-se de que segue as instruções que se aplicam ao modelo da sanita que adquiriu.

Os componentes e funções assinalados por meio de letras correspondem aos desenhos que se encontram no final deste manual, numa folha desdobrável.

Os procedimentos a seguir, assinalados por meio de números, encontram-se no início destas instruções, numa folha desdobrável.

COMPONENTES E FUNÇÕES

C-402C E C-402X

- a. Manipulo; abre e fecha a lâmina da válvula.
- b. Botão do autoclismo; ao carregar neste botão é bombeada água para a sanita através de uma bomba eléctrica.
- c. Mostrador do indicador do nível de dejectos; quando o depósito se encontra cheio, o LED vermelho (C-402C e C-402X) no mostrador acende. Se carregar brevemente no botão do autoclismo, o mostrador indicará o nível de dejectos no depósito bem como o nível da caixa de descarga de água (C-402X).
- d. Assento e tampa amovíveis.
- e. Placas de vedação.
- f. Compartimento para armazenamento de líquidos de limpeza para sanitas (apenas no modelo de gama alta).
- g. Trinco de segurança; evita que o depósito de dejectos saia da posição correcta.
- h. Funil da caixa de descarga de água; destinado a facilitar o enchimento da caixa de descarga de água.
- i. Placa de vedação; garante a máxima higiene. Abre quando o depósito de dejectos é introduzido na sanita e fecha quando o depósito de dejectos é retirado da sanita.
- j. Mecanismo amovível.
- k. Dispositivo de abertura da lâmina da válvula.
- l. Lâmina da válvula /borracha da válvula.
- m. Botão do orifício de ventilação; para esvaziar o depósito de dejectos sem salpicos.
- n. Pega superior.
- o. Orifício de libertação automática da pressão; liberta a pressão no interior do depósito de dejectos quando introduzido na sanita Cassette. Ajuda a evitar o excesso de pressão no interior do depósito de dejectos.
- p. Pega corredeira; para facilitar o transporte do depósito de dejectos.
- q. Rodas.
- r. Tubo de descarga rotativo; garante um esvaziamento fácil e higiénico do depósito de dejectos.
- s. Extensão para enchimento com água.
- t. Porta de acesso ao depósito de dejectos e funil da caixa de descarga de água; tranca do lado de fora do veículo.

COMPONENTES E FUNÇÕES C-403L

- a. Manipulo; abre e fecha a lâmina da válvula.
- b. Botão do autoclismo; ao carregar é bombeada água para a sanita através de uma bomba eléctrica central situada dentro do veículo.
- c. Mostrador do indicador do nível de dejectos; quando o depósito se encontra cheio, o LED vermelho no mostrador acende. Se carregar brevemente no botão do autoclismo, o mostrador

- indicará o nível de dejectos no depósito bem como o nível da caixa de descarga de água.
- d. Assento e tampa amovíveis.
- e. Placas de vedação.
- f. Compartimento para armazenamento de líquidos de limpeza para sanitas (apenas no modelo de gama alta).
- g. Trinco de segurança; evita que o depósito de dejectos saia da posição correcta.
- h. Placa de vedação; garante a máxima higiene. Abre quando o depósito de dejectos é introduzido na sanita e fecha quando o depósito de dejectos é retirado da sanita.
- i. Mecanismo amovível.
- j. Dispositivo de abertura da lâmina da válvula.
- k. Lâmina da válvula /borracha da válvula.
- l. Botão do orifício de ventilação; para esvaziar o depósito de dejectos sem salpicos.
- m. Orifício de libertação automática da pressão; liberta a pressão no interior do depósito de dejectos quando introduzido na sanita Cassette. Ajuda a evitar o excesso de pressão no interior do depósito de dejectos.
- n. Pega superior; para esvaziar facilmente o depósito.
- o. Pega corredeira; para facilitar o transporte do depósito de dejectos.
- p. Rodas.
- q. Tubo de descarga rotativo; garante um esvaziamento fácil e higiénico do depósito de dejectos.
- r. Porta de acesso ao depósito de dejectos; tranca do lado de fora do veículo.

INTRODUÇÃO

A sanita Cassette da Thetford é um produto de qualidade. A sua concepção funcional alia o design moderno ao máximo conforto, o que possibilita uma excelente integração da sanita na casa de banho da sua roulotte ou caravana de campismo. A sanita Cassette foi fabricada em PVC de alta qualidade. Daí que se trate de uma sanita resistente, fácil de utilizar e que requer um mínimo de manutenção.

A sanita é constituída por duas partes: uma parte fixa e um depósito de dejectos amovível, acessível do exterior. O depósito de dejectos amovível encontra-se por baixo da sanita, podendo ser retirado através de uma porta situada na parte exterior da roulotte ou caravana de campismo.

A sanita Cassette da Thetford constitui a solução indicada para resolver as questões sanitárias em roulettes ou caravanas de campismo!

PREPARATIVOS PARA A UTILIZAÇÃO

C-402C, C-402X E C-403L

1. Abra a porta de acesso na parte exterior da sua roulotte ou caravana de campismo.
2. Rode o tubo de descarga do depósito de dejectos em 90 graus e retire a extensão para enchimento com água (situa-se debaixo do manipulo que fica mais perto do tubo de descarga).
3. Rode o funil de enchimento com água para fora, retire a tampa e introduza a extensão no funil. Adicione à caixa de descarga da água a quantidade recomendada de aditivo Thetford para conservação da água. Deste modo, a descarga terá mais força e a água na caixa de descarga manter-se-á fresca.
4. Encha a caixa de descarga da água com água limpa.
Aviso: mantenha o nível de água abaixo da marca superior do funil de enchimento com água.

5. Retire a extensão e arrume-a no seu sítio no depósito de dejectos.
Nota: consoante o espaço existente entre a porta e o depósito de dejectos, esta peça de extensão pode também estar fixada à porta por meio de um gancho. Volte a enroscar a tampa do funil de enchimento e pressione-o para dentro, em direcção à parte lateral da caixa de descarga da água.
Nota: permanecerá 150 ml de água no funil de enchimento quando a caixa de descarga de água estiver vazia.

C-402C, C-402X E C-403L

6. Retire o depósito de dejectos, puxando o trinco de segurança para cima.
7. Puxe o depósito de dejectos para fora até ao batente. Incline-o um pouco e tire o depósito completamente para fora.
8. Endireite o depósito e rode o tubo de descarga para cima.
9. Rode a tampa do tubo de descarga, com o copo doseador na parte interior, e deite a quantidade indicada de aditivo para casa de banho no depósito de dejectos. Este produto elimina odores desagradáveis e mantém o interior do depósito limpo. Em seguida adicione cerca de 2 litros de água, até o fundo do depósito ficar completamente coberto. Volte, então, a fechar a tampa do tubo de descarga, rodando no sentido inverso. Rode o tubo de descarga para a posição inicial.
Nota: A tampa doseadora do tubo de descarga encontra-se na mesma embalagem que as presentes instruções de utilização.
Aviso! Nunca adicione aditivo através da lâmina da válvula ou da sanita. Dentro do depósito o líquido é imediatamente misturado com água.
10. Introduza o depósito novamente na posição inicial através da porta.
Atenção! Nunca empurre o depósito com força se não conseguir posicioná-lo correctamente. Poderá causar danos graves ao equipamento.
11. Certifique-se de que o depósito fica correctamente fixo através do trinco de segurança. Feche a porta de acesso à chave.

UTILIZAÇÃO

C-402C, C-402X E C-403L

12. Deixe correr um pouco de água na sanita, carregando brevemente no botão do autoclismo ou abra a lâmina da válvula, rodando o manipulo no sentido contrário ao dos ponteiros do relógio. A sanita Thetford está agora pronta a utilizar.
13. Após a utilização, abra a lâmina da válvula (se ainda estiver fechada), rodando o manipulo no sentido contrário ao dos ponteiros do relógio. Puxe o autoclismo, carregando alguns segundos no botão do autoclismo. **SUGESTÃO!** A limpeza da sanita será mais efetiva se fizer a descarga pressionando o botão de descarga várias vezes seguidas. Após a utilização feche a lâmina da válvula.
Atenção! Não deixe ficar água na sanita se deixar de a utilizar. Poderá surgir mau cheiro e mesmo uma inundação.
Observação! Para evitar entupimentos, aconselhamos a utilização de papel higiénico de decomposição rápida AquaSoft Thetford.
Aviso importante! Não viaje com um depósito de autoclismo demasiado cheio (aconselhamos vazio, mas certamente não excedendo metade da capacidade). Não viaje com água na sanita. O não cumprimento deste aviso poderá resultar em danos na caravana ou auto-caravana, causados pela água. Evite viajar com um depósito para resíduos superior a 3/4 da capacidade máxima. Este procedimento pode provocar fugas através do sistema de ventilação.

ESVAZIAMENTO

O depósito de dejectos tem capacidade para 19 litros e deve ser esvaziado o mais tardar quando a lâmpada vermelha do indicador do nível no mostrador acender. A lâmpada indicadora acende quando o depósito contém ainda cerca de 2 litros, equivalente a ± 3 utilizações. Recomendamos que esvazie o depósito antes disso.

Atenção! Não deixe o depósito ficar demasiado cheio.

C-402C, C-402X E C-403L

14. Certifique-se de que a válvula está fechada. Abra a porta de acesso situada na parte exterior do veículo. Puxe o trinco de segurança para cima e tire o depósito de dejectos para fora.
 15. Retire primeiro a extensão para enchimento com água, para evitar que esta se perca quando esvaziar o depósito de dejectos.
 16. Coloque o depósito de dejectos na posição vertical (manípulo corrediça para cima, rodas para baixo). Pressione o manípulo para baixo e movimente o manípulo do depósito de dejectos, afastando-o do depósito de dejectos até destrancar.
 17. Puxe o manípulo para cima e rode o depósito de dejectos para um local autorizado para a descarga de dejectos.
 18. Volte a colocar o manípulo na posição inicial. Rode o tubo de descarga para cima e retire a tampa do tubo de descarga. Segure o depósito de dejectos com uma mão pela pega superior e segure a pega traseira com a outra mão, de modo a que o botão do orifício de ventilação possa ser manipulado com o polegar. Mantenha o botão do orifício de ventilação ligeiramente premido enquanto estiver a esvaziar o depósito, para evitar salpicos. Após o esvaziamento, enxágue bem o depósito com água. Lave também a válvula com água.
- Atenção!** Carregue no botão do orifício de ventilação apenas quando o tubo de descarga estiver virado para baixo!
19. Se assim o desejar, volte a preparar a sanita para nova utilização. Volte a colocar a extensão para enchimento com água na sua posição original no depósito de dejectos. Faça deslizar o depósito de dejectos para dentro da sanita e feche a porta de acesso.

ARMAZENAMENTO

Antes de deixar de utilizar a sanita Thetford por um período prolongado, é importante seguir as instruções abaixo. Esvaziar totalmente o tanque de descarga através do tubo de esvaziamento, o qual também serve como indicador de nível. Retirar o tubo de esvaziamento da tampa e cuidadosamente, puxar o mesmo para baixo. Colocar o tubo de esvaziamento através da porta aberta para evitar a saída de água. Posteriormente, o tubo de esvaziamento deve ser colocado novamente, pela tampa primeiro e logo pela tomada superior.

C-403L

Esvazie o sistema central de abastecimento de água da sua roulotte ou caravana de campismo.

C-402C, C-402X E C-403L

20. Abra a lâmina da válvula, rodando o manípulo da sanita no sentido contrário ao dos ponteiros do relógio. Carregue então no botão azul até não entrar mais água na sanita. Feche a lâmina da válvula.

C-402C E C-402X

21. Abra a porta situada no exterior da roulotte ou caravana de campismo e rode o funil da caixa de descarga de água para fora. Retire a tampa e esvazie o funil de água, rodando-o 90° no sentido contrário ao dos ponteiros do relógio.

C-402C, C-402X E C-403L

22. Retire o depósito de dejectos, esvaziando-o num local autorizado para a descarga de dejectos. Siga as instruções contidas no

capítulo “Limpeza e manutenção”.

23. Volte a colocar o depósito de dejectos e abra a lâmina da válvula, deslocando para a esquerda o manípulo na sanita.

LIMPEZA E MANUTENÇÃO

A sanita deve ser limpa e verificada regularmente, dependendo da frequência de utilização. Para limpar sanitas Thetford, recomendamos utilizar água e o agente de limpeza Thetford Bathroom Cleaner & Thetford Toilet Bowl Cleaner.

Nota. Nunca utilize lixívia, vinagre ou outros agentes de limpeza domésticos fortes que contenham essas substâncias. Isto poderá provocar danos permanentes às vedações e outros componentes da sanita.

Bacia da sanita

- Deite Produto de Limpeza Thetford para Sanitas na sanita e use o Produto de Limpeza Thetford para Casa de Banho no exterior da sanita. Leia as instruções do produto antes da utilização.
- Efectue uma descarga da sanita com água e limpe o resto da sanita com um pano húmido.
- Limpe o assento e a tampa. O assento e a tampa podem ser facilmente removidos: Levante o conjunto do assento e da tampa e puxe as cavilhas redondas (no interior do conjunto) para fora dos orifícios das cavilhas. Após a limpeza, volte a colocar o assento e a tampa, colocando as cavilhas redondas à frente dos orifícios das cavilhas e prima a tampa e o assento para baixo.
- Para manter a água de descarga fresca e para impedir a acumulação de depósitos na bacia da sanita, acrescente uma dosagem correcta de Aqua Rinse ao depósito de água de descarga, se estiver presente na sanita.

Sugestão! Para obter uma sanita verdadeiramente brilhante, seque-a com um pano macio suave após limpar.

Depósito para resíduos

Recomendamos uma limpeza completa do depósito para resíduos uma vez por temporada. Após utilizar o Cassette Tank Cleaner da Thetford, o agente de limpeza para a limpeza periódica do depósito para resíduos da sua sanita, sugerimos as seguintes instruções:

- Retire o mecanismo do depósito de dejectos, rodando-o, consoante as indicações do depósito de dejectos, no sentido contrário ao dos ponteiros do relógio. Enxágue o mecanismo em água corrente.
- Retire a placa de vedação do orifício de libertação automática da pressão, levantando-a com a ajuda de uma chave de fenda. Abra a tampa do orifício de libertação automática de pressão com uma mão, segurando com a outra mão a bóia da libertação automática de pressão situada no interior do depósito. Empurre a bóia para cima, rodando-a meia volta e retire a bóia. Remova a junta de borracha situada por baixo da bóia. Enxágue a bóia e a junta de borracha em água corrente. Volte a montar a junta de borracha e a bóia da libertação automática da pressão do mesmo modo.

As juntas de borracha da sanita (junta da lâmina da válvula, junta do mecanismo, junta da libertação automática de pressão, junta da tampa) devem ser tratadas regularmente com o pulverizador à base de silicone da Thetford, para que se conservem elásticas e em bom estado.

Mesmo quando a sanita não é utilizada por um período prolongado, é importante tratar as juntas com um pulverizador à base de silicone da Thetford após a limpeza.

Atenção! Nunca utilize vaselina ou outros óleos vegetais que não o azeite. Poderá dar origem a fugas.

Nota: A vedação da válvula é um componente da sanita que está sujeito ao desgaste. Dependendo da frequência e qualidade da manutenção, a eficácia do anel de vedação diminui após um determinado período de tempo, sendo necessário substituí-lo.

UTILIZAÇÃO NO INVERNO

A sanita Cassette Thetford pode ser utilizada normalmente em tempo frio desde que a sanita se encontre em ambiente aquecido. Se tal não for possível, existe risco de congelamento. Neste caso aconselhamos o esvaziamento da sanita seguindo as instruções contidas no capítulo “Armazenamento”.

Não se aconselha a utilização de um anticongelante como, por exemplo, os que se utilizam para os radiadores dos automóveis, devido aos efeitos nocivos para o meio ambiente.

GARANTIA THETFORD

A Thetford B.V. oferece aos consumidores finais dos seus produtos uma garantia de 3 anos. Dentro deste período de garantia, a Thetford, em caso de avarias, procederá à substituição ou reparação do produto. Neste caso, os custos relacionados com a substituição, mão-de-obra e substituição de peças defeituosas e/ou custos das próprias peças são suportados pela Thetford.

1. A presente garantia será válida apenas se o consumidor levar o produto a um centro de assistência técnica autorizado pela Thetford. Aqui será avaliado o direito de garantia
2. No caso de, durante a reparação, serem substituídas peças cobertas pela garantia, as respectivas peças tornam-se propriedade da Thetford.
3. A presente cláusula de garantia não prejudica a legislação relativa aos direitos do consumidor em vigor.
4. A garantia não abrange produtos utilizados para fins comerciais.
5. A garantia perde a sua validade nos seguintes casos:
 - se o produto for utilizado de forma incorrecta e/ou se não forem respeitadas as instruções contidas neste manual;
 - se o produto não for instalado em conformidade com as instruções;
 - se o produto tiver sido alterado;
 - se o produto for reparado por um serviço de assistência técnica não autorizado pela Thetford;
 - se o número de série ou o código do produto forem alterados;
 - se o produto sofrer danos que tenham sido originados pelo facto de o equipamento ter sido utilizado para outro fim, que não aquele a que se destina.

SERVIÇO DE ASSISTÊNCIA TÉCNICA

Para mais informações ou dúvidas acerca da sanita, consulte a nossa página Web no endereço www.thetford-europe.com. Entre outras informações, encontrará perguntas e problemas frequentes, soluções, instruções de reparação, sugestões e uma lista dos representantes da Thetford para a sua área de residência. Se apesar disso tiver dúvidas ou observações, entre em contacto com o serviço de Assistência Técnica do seu país (ver endereços no final deste manual).

RESPONSABILIDADE

A Thetford não se responsabiliza por perdas e/ou danos resultantes directa ou indirectamente da utilização da sanita.

NO Brukerveiledning

Denne brukerveiledningen gjelder modellene 402C, C-402X og C-403L av Thetford Cassettetoiletet. Disse modellene er forskjellige i bruk på enkelte punkter. Pass derfor på at du følger instruksjonene som gjelder ditt toalett.

Delene og funksjonene som bokstavene viser til, er kartlagt på en utbrettside bakerst i denne brukerveiledningen.

Handlingene som skal utføres og som tallene viser til, er beskrevet på en utbrettside forrest i denne brukerveiledningen.

DELER OG FUNKSJONER C-402C OG C-402X

- Håndtak; åpner og lukker ventilbladet.
- Trykknapp for spyling; når denne trykkes inn spyles vann i toalettskålen ved hjelp av en elektrisk pumpe.
- Nivåindikatordisplay; når avfallstanken er full, tennes den røde varsellampen på displayet (C-402C og C-402X). Ved å holde trykknappen for spyling inne en liten stund, vises nivået i avfallstanken og nivået i vanntanken (C-402X) på displayet.
- Avtakbart sete og lokk.
- Dekkplater.
- Beholder for toalettspylevæske (kun på høye modeller).
- Låseanordning for avfallstanken, holder tanken i låst stilling.
- Vannpåfyllingsrør; for enkel påfylling av vanntanken.
- Skyvelokk. Åpnes og lukkes automatisk når du skyver avfallstanken inn og ut. Sikrer optimal hygiene.
- Uttakbar mekanisme.
- Ventilbladåpner.
- Ventilblad / bladdetning.
- Lufteventil. Sørger for jevn tømning uten spruting.
- Øvre håndtak.
- Automatisk lufting for avfallstanken. Lufte avfallstanken når den er satt inn i toalettet. Dette forhindrer overtrykk i avfallstanken.
- Utskyvbart håndtak; for enkel transport av avfallstanken.
- Hjul.
- Dreibart tømmerør; for enkel tømning av tanken.
- Forlengelsesrør for vannpåfylling.
- Service Luke. Låses fra campingvognens outside.

DELER OG FUNKSJONER C-403L

- Håndtak; åpner og lukker ventilbladet.
- Trykknapp for spyling; når denne trykkes inn, spyles vann i toalettskålen ved hjelp av kjøretøyet elektriske pumpe.
- Nivåindikatordisplay; når avfallstanken er full, tennes den røde varsellampen på displayet. Ved å holde trykknappen for spyling inne en liten stund, vises nivået i avfallstanken.
- Avtakbart sete og lokk.
- Dekkplater.
- Beholder for toalettspylevæske (kun på høye modeller).
- Låseanordning for avfallstanken, holder tanken i låst stilling.
- Skyvelokk. Åpnes og lukkes automatisk når du skyver avfallstanken inn og ut. Sikrer optimal hygiene.

- Uttakbar mekanisme.
- Ventilbladåpner.
- Ventilblad / bladdetning.
- Lufteventil. Sørger for jevn tømning uten spruting.
- Automatisk lufting; ventilere avfallstanken når denne er satt inn i toalettet. Dette forhindrer overtrykk i avfallstanken.
- Øvre håndtak; gjør det enkelt å tømme tanken.
- Utskyvbart håndtak; for enkel transport av avfallstanken.
- Hjul.
- Dreibart tømmerør; for enkel tømning av tanken.
- Service Luke. Låses fra campingvognens outside.

INNLEDNING

Med Thetford Cassettetoiletet har du et kvalitetsprodukt. Ved hjelp av den funksjonelle formgivningen blir moderne design og brukervennlighet kombinert og utgjør toalettet en integrert del av badet i din campingvogn eller bil. Cassettetoiletet er laget av høyverdig kvalitetsplast. Dette gjør toalettet holdbart, bruker- og vedlikeholdsvennlig.

Enheten består av to deler: En fastmontert del og en fra utsiden avtakbar avfallstank. Den avtakbare avfallstanken befinner seg under toalettskålen og kan fjernes fra utsiden av campingvognen eller bilen via en dør.

Thetford Cassettetoiletet er løsningen for det sanitære problemet i campingvognen eller bilen din!

FORBEREDELSE FØR BRUK C-402C, C-402X OG C-403L

- Åpne service Luke på utsiden av campingvognen eller bilen.

C-402C OG C-402X

- Vri avfallstankens tømmerør 90 grader og ta ut forlengelsesrøret for vannpåfylling (det er plassert under håndtaket nærmest tømmerøret).
- Vri vannpåfyllingsrøret utover, skru av lokket og sett på forlengelsesrøret for vannpåfylling. Tilsett oppgitt mengde Thetford ferskvannstilsetning i vanntanken. Dette sikrer en bedre og reinere spyling og sørger for at vannet i ferskvannstanken holder seg friskt.
- Fyll vanntanken med rent vann.
Advarsel: Pass på at vannnivået ligger lavere enn toppen av vannpåfyllingsrøret.
- Ta av forlengelsesrøret og sett det tilbake på sin opprinnelige plass på avfallstanken.
Merk: Det kan eventuelt være mulig å feste forlengelsesrøret til luka med en krok, alt avhengig av hvor god plass det er mellom luka og avfallstanken. Skru lokket på vannpåfyllingsrøret igjen og skyv røret inn mot siden av ferskvannstanken.
Merk: Det vil fortsatt være 150 ml vann i vannpåfyllingsrøret selv om vanntanken er tom.

C-402C, C-402X OG C-403L

- Fjern avfallstanken ved å trekke låseanordningen oppover.
- Trekk avfallstanken ut frem til stopperen. Tipp den litt ned og ta tanken helt ut.

- Sett tanken rett opp og vri tømmerøret opp.
- Vri lokket, med på innsiden målebegeret, av tømmerøret og hell den angitte mengden toalettvæske i avfallstanken. Dermed forhindres vond lukt i avfallstanken og holdes innsiden av avfallstanken ren. Føy deretter til cirka 2 liter vann, slik at bunnen i avfallstanken er fullstendig dekket. Vri heretter målebegeret tilbake på plass på tømmerøret. Vri tømmerøret tilbake til begynnerposisjonen.
N.B.: Doseringslokket til tømmerøret befinner seg ved avlevering i den samme forpakningen som denne brukerveiledningen.

Advarsel! Tilsett aldri toalettvæske via ventilbladet eller toalettskålen. I avfallstanken blir væsken øyeblikkelig blandet med vann.

- Skyv avfallstanken tilbake i original posisjon via service Luke.
Merk! Dytt aldri tilbake avfallstanken med makt dersom den ikke vil på plass. Dette kan føre til alvorlige skader.
- Sørg for at avfallstanken er låst med låseanordningen. Lukk og lås service Luke.

BRUK

C-402C, C-402X OG C-403L

- La litt vann renne i toalettskålen ved såvidt å trykke på spyleknappen eller åpne ventilbladet ved å dreie håndtaket mot klokka. Du kan nå bruke ditt Thetford toalett.
- Etter bruk åpner du ventilbladet (dersom dette fortsatt er lukket) ved å dreie håndtaket mot klokka. Du spylar toalettet ved å trykke på spyleknappen noen sekunder. **TIPS!** Skyllingen av ditt toalett vil bli mer effektiv dersom du pulserer skyllingen ved å trykke flere ganger etter hverandre på spyleknappen. Lukk ventilbladet etter bruk.
Merk! La det ikke bli igjen vann i toalettskålen dersom toalettet ikke blir brukt. Dette hjelper ikke til å redusere vond lukt og kan bare føre til overstrømming.
Merk! For å forhindre forstoppelse av toalettet anbefaler vi å bruke Thetfords hurtig oppløselig toalett-papir, Aqua Soft.
Viktig advarsel! Ikke kjør med for mye vann i spylingsvanntanken. Vi anbefaler at den er tom, eller i det minste ikke mer en halvfull. Ikke kjør med vann i toalettskålen. Hvis du ikke etterfølger denne advarselen, kan det føre til vannskader i campingvognen eller bilen. Unngå å reise med en avfallstank som er mer enn 3/4 full. Det kan føre til lekkasje gjennom avtrekkssystemet.

TØMME AVFALLSTANKEN

Avfallstanken har et innhold på 19 liter og må senest tømmes når det røde lyset på nivådisplayet tennes. Varsellampen tennes når det er igjen en restkapasitet i tanken på ca 2 liter, noe som tilsvarer +/- 3 gangers bruk. Anbefalt er å tømme tanken tidligere.
Merk! Ikke la avfallstanken bli for full.

C-402C, C-402X OG C-403L

- Sørg for at ventilbladet er lukket. Åpne service Luke på utsiden av kjøretøyet. Trekk låseanordningen opp og ta ut avfallstanken.
- Ta først ut forlengelsesrøret for vannpåfylling slik at du ikke risikerer å miste det når du tømmer avfallstanken.
- Sett avfallstanken vertikalt (det utskyvbare håndtaket på oversiden,

hjulene på undersiden). Trykk håndtaket ned og beveg det bort fra avfallstanken, slik at det løses fra sin sperrede posisjon.

17. Trekk håndtaket opp og kjøp avfallstanken til et egnet sted tillatt for tømning.
18. Skyv håndtaket tilbake. Vri tømmerøret opp og fjern lokket fra tømmerøret. Hold fast i avfallstankens øvre håndtak med en hånd og plasser den andre hånden på det bakre håndtaket, slik at knappen til luftenventilen kan betjenes med tommelen ved tømning. Trykk knappen til luftenventilen rolig inn for å unngå at det spruter under tømning. Skyll tanken godt med vann etter tømning. Rens også ventilbladet med vann.
Merk! Knappen til luftenventilen skal først trykkes inn når tømmerøret peker nedover!
19. Hvis det er nødvendig, kan toalettet klargjøres for bruk på nytt. Sett forlengelsesrøret for vannpåfylling tilbake på sin opprinnelige plass på avfallstanken. Skyv avfallstanken inn i toalettet og lukk adgangsluka.

LAGRING

Dersom du ikke skal bruke ditt Thetford toalett på lang tid, er det viktig at du på forhånd følger nedenforstående instruksjoner.

Tøm vanntanken fullstendig via dreneringsslangen, som også fungerer som nivåindikator. Ta dreneringsslangen ut av klemmen, og dra slangen forsiktig ned fra overstopperen. Før dreneringsslangen ut av serviceluku slik at vannet kan renne ut. Deretter fester du dreneringsslangen først i klemmen og deretter i overstopperen.

NO C-403L

Tapp av vannet fra vannanlegget i din campingvogn eller bil.

C-402C, C-402X OG C-403L

20. Åpne ventilbladet ved å dreie håndtaket på toalettet mot klokka. Trykk deretter inn den blå knappen inntil det ikke lenger strømmer vann i toalettskålen. Steng ventilbladet igjen.

C-402C OG C-402X

21. Åpne serviceluku på utsiden av campingvognen eller bilen og vri vannpåfyllingsrøret utover. Fjern lokket og tøm vannpåfyllingsrøret ved å vri det en kvart omdreining mot klokka.

C-402C, C-402X OG C-403L

22. Fjern avfallstanken og tøm denne på et egnet sted tillatt for tømning. Følg instruksjonene når det gjelder rengjøring og vedlikehold.
23. Sett avfallstanken tilbake på plass og åpne ventilbladet ved å bevege håndtaket på toalettet mot venstre.

RENGJØRING OG VEDLIKEHOLD

Toalettet bør rengjøres og vedlikeholdes jevnlig, avhengig av hvor mye det blir brukt. Vi anbefaler deg å rengjøre Thetford-toalettet med vann og Thetford Bathroom Cleaner & Thetford Toilet Bowl Cleaner.

Merk: Du må aldri bruke klor, eddik eller andre kraftige rengjøringsmidler som inneholder disse stoffene. De kan forårsake varig skade på tetningene og andre deler av toalettet.

Toalettskålen

- Sprut Thetford Toilet Bowl Cleaner i toalettskålen og bruk Thetford Baderomsrengjøring til utsiden av toalettet. Les produktinstruksene før bruk.
- Spyl toalettskålen med vann, og tørk av resten av toalettet med en fuktig klut.
- Rengjør setet og lokket. Setet og lokket kan lett fjernes: Løft sete- og lokkenheten og trekk de runde tappene (inne i enheten) ut fra tapphullene. Etter rengjøring, sett setet og lokket tilbake på plass ved å plassere de runde tappene foran tapphullene og skyve lokket og setet nedover.
- Hvis toalettet har innebygd spylingsvanntank, holder du spylevannet friskt og forhindrer belegg i toalettskålen ved å helle riktig mengde Aqua Rinse i spylingsvanntanken.

Tips! Du får et ekstra skinnende toalett hvis du tørker over det med en myk, tørr klut etter rengjøringen.

Avfallstank

Du bør rengjøre avfallstanken grundig én gang hver sesong. Vi anbefaler at du bruker Thetfords Cassette Tank Cleaner (et kraftig rengjøringsmiddel for jevnlig rengjøring av avfallstanken) og i tillegg følger disse instruksjonene:

- Ta mekanismen ut av avfallstanken ved å vri denne mot klokka, som angitt på avfallstanken. Skyll hele mekanismen under rennende vann.
- Fjern dekkplata til den automatiske ventileringen ved å vippe den opp med en skrutrekker. Skyv med den ene hånden den automatiske ventileringen åpen, mens du med den andre hånden griper fast i flottøren til den automatiske ventileringen inne i tanken. Skyv flottøren opp, drei flottøren en halv omdreining og ta flottøren ut på undersiden. Ta ut gummitetningen som befinner seg på undersiden av flottøren. Skyll flottøren og gummitetningen i rennende vann. Sett den automatiske ventileringens gummitetning og flottøren tilbake på plass på samme måte.

Toalettets gummitetninger (tetningen til ventilbladet, tetningen til mekanismen, tetningen til den automatiske ventileringen, tetningen til lokket) må regelmessig behandles med Thetford silikonspray. Tetningene holder seg da myke og deformeres ikke. Også dersom toalettet skal stå ubrukt i lang tid er det viktig å rengjøre tetningene og behandle dem med Thetford silikonspray.

Merk! Bruk aldri vaselin eller andre vegetabiliske oljer enn olivenolje. Disse kan forårsake lekkasje.

N.B. Tetningen til ventilbladet er en del av toalettet som utsettes for slitasje. Avhengig av hvor ofte og godt dette blir vedlikeholdt, vil funksjonen avta etter en viss tid og må tetningen byttes ut.

BRUK I VINTERHALVÅRET

Du kan bruke ditt Thetford Cassettetoalett som vanlig selv om det er kaldt, såfremt toalettet står i en oppvarmet omgivelse. Dersom dette ikke er tilfelle, kan det oppstå forfrysninger. I det tilfelle anbefaler vi å tappe toalettet ved å følge instruksjonene under "Lagring".

Bruk av frysevæske, slik som for eksempel brukes i radiatoren på en bil, anbefales ikke på grunn av miljøbelastningen dette medfører.

THETFORD GARANTI

Thetford B.V. gir den opprinnelige kjøperen en garanti på 3 år fra kjøpsdatoen. Innenfor dette tidsrommet vil Thetford, dersom det oppstår defekter, bytte ut eller reparere produktet. Kostnadene for utbytting, arbeidslønn for utskifting av de defekte delene og/ eller kostnader for delene tilfaller i dette tilfelle Thetford.

1. For å kunne benytte seg av denne garantien må brukeren benytte seg av et Service Senter som er godkjent av Thetford. Her vil garantikravet bli vurdert.
2. Dersom det er nødvendig å skifte ut deler av produktet under garantiperioden, vil disse delene bli eiendom av Thetford.
3. Gjeldende konsumentlovgivning vil ikke bli berørt av denne garanti-bestemmelsen.
4. Denne garantien gjelder ikke dersom produktet blir eller har vært brukt til kommersielle formål.
5. Ethvert garantikrav vil forfalle dersom en av de følgende situasjonene har oppstått:
 - produktet har blitt brukt skjodesløst eller forskriftene i brukerveiledningen er ikke fulgt;
 - produktet er ikke installert i følge forskriftene;
 - det har blitt anbrakt forandringer på produktet;
 - produktet er ikke reparert av et av Thetford godkjent Service Senter;
 - serienummeret eller koden til produktet er endret;
 - skade på produktet som har oppstått på annen måte enn ved normalt bruk av produktet.

KUNDESERVICE

Se for mer informasjon eller spørsmål omtrent ditt toalett på vår Web-side, www.thetford-europe.com. Her finner du blant annet ofte stilte spørsmål, problemer og løsninger, reparasjonsinstruksjoner, tips og en liste med Thetford forhandlere i nærheten av der du bor. Har du likevel spørsmål eller bemerkninger, ta da kontakt med kundeservice avdelingen (se adresser bakpå denne brukerveiledningen).

ANSVAR

Thetford er ikke ansvarlig for tap og/ eller skade som direkte eller indirekte følge av bruk av toalettet.

FI Käyttöohje

Tässä käyttöohjeessa esitellään Thetfordin Cassette-käymälämallien C-402C, C-402X ja C-403L toteutusta. Näiden mallien toteutus ja käyttö eroavat toisistaan joissakin kohdissa. Sen takia on tärkeää noudattaa juuri omalle käymälälle tarkoitettuja ohjeita.

Ne käymälän osat ja toiminnot, joihin viitataan kirjaimin, on kuvattu tämän käyttöohjeen lopussa olevassa taitteessa.

Ne toimenpiteet, joihin viitataan numeroin, on kuvattu tämän käyttöohjeen alussa olevassa taitteessa.

MALLIEN C-402C JA C-402X OSAT JA TOIMINNOT

- Kahva; avaa ja sulkee liukukannen.
- Huuhtelunappi; painettaessa tätä WC-pyttyyn pumpataan vettä sähköpumpulla.
- Pinnanosoitinnäyttö; kun jätessäiliö on täynnä, näytössä oleva punainen valo syttyy (C-402C ja C-402X). Kun painetaan lyhyesti huuhtelunappia, näytössä näkyy jätessäiliön pinta ja vesisäiliön pinta (C-402X).
- Irrotettava istuinosä ja kansi.
- Suojalevyt.
- WC-nesteiden varastolokero (vain korkeassa mallissa).
- Puristin, joka pitää jätessäiliön paikallaan.
- Täyttösuppilo, vesisäiliön täytön helpottamiseksi.
- Suojalevy; takaa parhaan mahdollisen hygienian, Avautuu, kun jätessäiliö asetetaan käymälään ja sulkeutuu, kun jätessäiliö otetaan sieltä pois.
- Irrotettava mekanismi.
- Liukukannen avaaja.
- Liukukansi / kumitiivist.
- Paineenvapautusnappi; estää roiskumisen tyhjentämisen aikana.
- Yläkahva.
- Automaattinen ylipaineventtiili; poistaa ilman jätessäiliöstä, kun se on asetettu Cassette-käymälään. Estää ylipaineen muodostumisen jätessäiliöön.
- Vedettävä kahva; jätessäiliön kuljetuksen helpottamiseksi.
- Pyörät.
- Kääntyvä tyhjennysputki, tekee jätessäiliön tyhjentämisestä helppoa ja hygieenistä.
- Poista vedentäyttöjatke.
- Jätessäiliön ja täyttösuppilon huoltoluukku, voidaan lukita ajoneuvon ulkopuolelta.

C-403L-MALLIN OSAT JA TOIMINNOT

- Kahva; avaa ja sulkee liukukannen.
- Huuhtelunappi; painettaessa tätä WC-pyttyyn pumpataan vettä ajoneuvon sähköpumpun avulla.
- Pinnanosoitinnäyttö; kun jätessäiliö on täynnä, näytössä oleva punainen valo syttyy. Kun painetaan lyhyesti huuhtelunappia, näytössä näkyy jätessäiliön pinta.
- Irrotettava istuinosä ja kansi.
- Suojalevyt.

- WC-nesteiden varastolokero (vain korkeassa mallissa).
- Puristin, joka pitää jätessäiliön paikallaan.
- Suojalevy; takaa parhaan mahdollisen hygienian, Avautuu, kun jätessäiliö asetetaan käymälään ja sulkeutuu, kun jätessäiliö otetaan sieltä pois.
- Irrotettava mekanismi.
- Liukukannen avaaja.
- Liukukansi / kumitiivist.
- Paineenvapautusnappi; estää roiskumisen tyhjentämisen aikana.
- Automaattinen ylipaineventtiili; poistaa ilman jätessäiliöstä, kun se on asetettu Cassette-käymälään. Estää ylipaineen muodostumisen jätessäiliöön.
- Yläkahva, helpottaa tyhjentämistä.
- Vedettävä kahva; jätessäiliön kuljetuksen helpottamiseksi.
- Pyörät.
- Kääntyvä tyhjennysputki, tekee jätessäiliön tyhjentämisestä helppoa ja hygieenistä.
- Jätessäiliön ja täyttösuppilon huoltoluukku, voidaan lukita ajoneuvon ulkopuolelta.

JOHDANTO

Ostaessasi Thetfordin Cassette-käymälän ostat laatua. Funktionaalisen suunnittelun ansiosta käymälässä yhdistyy moderni muotoilu ja helppokäyttöisyys, ja se on helppo sijoittaa asuntovaunun tai matkailuauton kylpyhuoneeseen. Cassette-käymälä on valmistettu korkealuokkaisesta muovista. Se tekee Cassette-käymälästä kestävän, helppokäyttöisen ja vähän huoltoa tarvitsevan käymälän.

Käymälä koostuu kahdesta osasta: kiinteästi asennetusta käymälästä ja irrotettavasta jätessäiliöstä, jota pääsee käsittelemään ulkoa käsin. Irrotettava jätessäiliö sijaitsee käymälän alla ja se voidaan poistaa asuntovaunun tai matkailuauton ulkopuolella sijaitsevasta huoltoluukusta.

Thetford Cassette-käymälä on paras mahdollinen ratkaisu asuntovaunun ja matkailuauton saniteettiongelmien!

VALMISTELUT ENNEN KÄYTTÖÖNOTTOA C-402C, C-402X JA C-403L

- Avaa asuntovaunun tai matkailuauton ulkopuolella sijaitseva huoltoluukku.

C-402C JA C-402X

- Kierrä jätessäiliön tyhjennysnokkaa 90 astetta ja poista vedentäyttöjatke (se sijaitsee lähimpänä tyhjennysnokkaa olevan kahvan alapuolella).
 - Kierrä vedentäyttösuppiloa ulospäin, poista korkki ja kiinnitä jatke vedentäyttösuppilon. Lisää ohjeiden mukainen määrä Thetfordin vedenraikastusainetta vesisäiliöön. Tällä tavalla varmistat paremman ja puhtaamman huuhtelun ja huuhteluvesisäiliön vesi pysyy raikkaana.
 - Täytä vesisäiliö puhtaalla vedellä. Varoitus: huolehdi siitä, että vedenpinta on vedentäyttösuppilon yläosan alapuolella.
 - Irrota jatke ja palauta se alkuperäiselle paikalleen jätessäiliöön.
- Huomio:** riippuen tilasta luukun ja jätessäiliön väliillä jatke on myös mahdollista kiinnittää luukkuun koukulla. Kierrä vedentäyttösuppilon

korkki paikalleen ja työnnä sitä sisään kohti huuhteluvesisäiliön sivua.

Huomio: vedentäyttösuppilon jää 150 ml vettä, kun vesisäiliö on tyhjä.

C-402C, C-402X JA C-403L

- Irrota jätessäiliö vetämällä puristinta ylös.
 - Vedä jätessäiliö ulos pysäyttimeen asti. Kallista sitä vähän ja ota se kokonaan ulos.
 - Aseta säiliö suoraan ja kierrä tyhjennysputki ylös.
 - Kierrä irti tyhjennysputken kansi, joka on sisäpuolelta annostelukorkki, ja mittaa sillä jätessäiliöön suositeltu määrä Thetfordin käymälänestettä. Se hajottaa jätteet nopeasti, estää epämiellyttävien hajujen syntymisen jätessäiliössä ja pitää sen sisäpuolen puhtaana. Lisää sitten noin 2 litraa vettä, jotta jätessäiliön pohja peittyneeesteellä. Kierrä sen jälkeen tyhjennysputken kansi taas kiinni. Kierrä tyhjennysputki takaisin alkuperäiseen asentoon.
- Huomautus:** Tyhjennysputken kansi toimitetaan samassa pakkauksessa kuin tämä käyttöohje.
- Varoitus!** Älä koskaan lisää käymälänestettä liukukannen tai WC-pyтын kautta. Se sekoittuu jätessäiliössä heti veteen.
- Työnnä jätessäiliö taas huoltoluukun kautta alkuperäiseen asentoonsa.
 - Huomaa!** Älä koskaan työnnä jätessäiliötä väkisin sisään, jos sitä on vaikea saada paikalleen. Se voi aiheuttaa vakavia vaurioita.
 - Varmista, että jätessäiliö on lukittu paikalleen puristimella. Sulje huoltoluukku ja pane se lukkoon.

KÄYTTÖ

C-402C, C-402X JA C-403L

- Anna veden valua pyttyyn painamalla huuhtelunappia tai avaa liukukansi kiertämällä kahvaa vastapäivään. Thetford-käymäläsi on nyt valmis käytettäväksi.
 - Avaa liukukansi käytön jälkeen (mikäli se on vielä kiinni) kiertämällä kahvaa vastapäivään. Huuhtelee käymälä painamalla huuhtelunappia lyhyesti. **VIHJE!** WC:n huuhtelu on tehokkaampaa, jos tehostat sitä painamalla huuhtelupainiketta useita kertoja peräkkäin. Sulje liukukansi käytön jälkeen.
- Huomaa!** Älä anna veden seisoa WC-pytyssä, kun käymälää ei käytetä. Se ei vähennä epämiellyttäviä hajuja vaan voi aiheuttaa tulvimisen.
- Huomautus!** Tukosten estämiseksi suosittelemme WC-paperiksi Thetfordin nopeasti liukenevaa Aqua Soft-paperia.
- Varoitus!** Älä matkusta, jos huuhteluvesisäiliö on liian täynnä (suosittelemme tyhjää tai vain puolillaan olevaa tankkia). Älä pidä vettä WC-istuimessa ajon aikana. Näiden ohjeiden noudattamatta jättäminen saattaa johtaa vesivahinkoon asuntovaunussa tai matkailuautossa. Pyydämme välttämään matkustamista, kun jätessäiliö on yli 3/4 täynnä. Se voi aiheuttaa vuotoa ilmanvaihtojärjestelmän kautta.

TYHJENNYS

Jätessäiliön tilavuus on 19 litraa ja se on tyhjennettävä viimeistään silloin, kun pinnanosoitinnäytön punainen valo palaa. Merkkivalo syttyy, kun jätessäiliössä on vielä jäljellä noin 2 litran tilavuus, joka vastaa noin

kolmea käyttökertaa. On suositeltavaa tyhjentää säiliö jo sitä ennen.
Huomaa! Älä päästä jätesäiliötä liian täyteen.

C-402C, C-402X JA C-403L

- Varmista, että liukukansi on kiinni. Avaa ajoneuvon ulkopuolella sijaitseva huoltoluukku. Työnnä puristin ylös ja irrota jätesäiliö.
- Poista ensin vedentäyttöjatke, jotta se ei katoaisi jätesäiliön tyhjen-nyksen aikana.
- Aseta jätesäiliö pystyasentoon (ulos vedettävä kahva yläpuolella, pyörät alapuolella). Paina kahva alas ja liikuta jätesäiliön kahvaa, jotta sen lukitus vapautuu.
- Vedä kahva ylös ja vie jätesäiliö hyväksytyyn tyhjennyspaikkaan.
- Työnnä kahva takaisin. Kierrä tyhjennysputki ylös ja poista sen kansi. Tartu toisella kädellä jätesäiliön yläkahvaan ja aseta toinen kätesi takana olevaan kahvaan, jotta voit ohjata paineenvapautusnappia peukalolla tyhjentämisen aikana. Paina paineenvapautusnappia varovasti säiliön tyhjentämisen aikana, jotta vältyt roiskeilta.
Huuhtelee säiliö tyhjen-nyksen jälkeen huolellisesti vedellä. Puhdista myös liukukansi vedellä.
Huomaa! Paina paineenvapautusnappi sisään vasta sitten, kun tyhjennysputki osoittaa alas!
- Mikäli tarpeen, valmistele WC käyttövalmiiksi seuraavaa käyttöä varten. Aseta vedentäyttöjatke takaisin alkuperäiselle paikalleen jätevesisäiliöön. Työnnä jätesäiliö käymälään ja sulje luukku.

FI VARASTOINTI

Jos et käytä Thetford-käymälää pitkään aikaan, on tärkeää, että suoritat seuraavat toimet.

Tyhjennä vesisäiliö kokonaan käyttäen tyhjennysputkea, joka toimii myös veden pinnankorkeuden ilmaisimena. Irrota putki kiinnikkeestä ja vedä sitä varovasti alaspäin ylhäällä olevasta sulkijasta. Suuntaa tyhjennysputki ulos huoltoluukusta ja anna veden valua ulos. Muista tyhjen-nyksen jälkeen liittää putki kiinnikkeeseen ennen kuin työnnät sen takaisin ylhäällä olevaan sulkijaan.

C-403L

Tyhjennä asuntovaunusi tai matkailuautosi keskusvesijärjestelmä.

C-402C, C-402X JA C-403L

- Avaa liukukansi kiertämällä käymälän kahvaa vastapäivään. Paina nyt niin kauan sinistä nappia, kunne WC-pyttyyn ei enää tule vettä. Sulje liukukansi.

C-402C JA C-402X

- Avaa asuntovaunun tai matkailuauton ulkopuolella oleva luukku ja kierrä vedentäyttösuppilo ulos. Poista kansi ja tyhjennä täyttösuppilo kiertämällä sitä neljänneskierroksen vastapäivään.

C-402C, C-402X JA C-403L

- Irrota jätesäiliö ja tyhjennä se hyväksytyssä tyhjennyspaikassa. Menettele puhdistus- ja huolto-ohjeiden mukaisesti.
- Paina jätesäiliö takaisin paikalleen ja avaa liukukansi liikuttamalla käymälän kahvaa vasemmalle.

PUHDISTUS JA HUOLTO

Käymälä tulisi puhdistaa ja huoltaa säännöllisin väliajoin käytön määrästä riippuen. Suosittelemme Thetford-käymälöiden puhdistukseen vettä ja Thetfordin kylpyhuoneenpuhdistusnestettä (Thetford Bathroom Cleaner) & Thetford Toilet Bowl Cleaner.

Huomaa. Älä koskaan käytä valkaisuaineita, etikkaa tai muita samankaltaisia aineita sisältäviä voimakkaita kotitalouspuhdistusaineita. Ne voivat aiheuttaa pysyvää vahinkoa käymälän tiivisteille ja muille osille.

WC-pytty

- Ruiskuta Thetfordin Toilet Bowl Cleaneria WC-pönttöön, ja käytä Thetfordin Bathroom Cleaneria WC:n ulko-osien puhdistamiseen. Lue tuotteen käyttöohjeet ennen käyttöä.
- Huuhtelee WC-pytty vedellä ja pyyhi käymälän muut osat kostealla liinalla.
- Puhdista istuin ja kansi. Istuin ja kansi on helppo irrottaa: Nosta istuin/kansi-yhdistelmää ja vedä sen sisällä olevia pyöreitä tappeja ulospäin. Aseta puhdistuksen jälkeen istuin ja kansi paikoilleen asettamalla pyöreät tapit tapinreikien eteen ja työntämällä istuinta ja kantta alaspäin.
- Pitääksesi huuhteluveden raikkaana ja estääksesi kerrostumien muodostumisen WC-pyttyyn, lisää huuhteluvesitankkiin (mikäli käymälässäsi on sellainen) suositeltu määrä Aqua Rinse -puhdistusainetta.

Vinkki! Saat käymälän todella kiiltämään puhtauttaan, kun kuivaat sen pehmeällä liinalla puhdistuksen jälkeen.

Jätesäiliö

Kun käytät käymäläsi jätesäiliön määräaikaispuhdistukseen voimakasta Thetford's Cassette Tank Cleaner -säiliöpuhdistusainetta, suosittelemme noudatettavaksi seuraavia ohjeita:

- Irrota mekanismi jätesäiliöstä kiertämällä sitä vastapäivään, kuten jätesäiliössä näkyy. Huuhtelee mekanismi juoksevalla vedellä.
- Irrota automaattisen paineenpoistiventtiilin suojalevy nostamalla se ylös ruuviavaimella. Työnnä automaattinen paineenpoistiventtiili auki toisella kädellä samalla, kun otat toisella kädellä kiinni säiliön sisällä olevasta automaattisen paineenpoistiventtiilin pallouimurista. Työnnä pallouimuri ylös, kierrä sitä puoli kierrosta ja ota se pois alapuolelta. Irrota pallouimurin alapuolella oleva kumitiiviste. Huuhtelee pallouimuri ja kumitiiviste juoksevalla vedellä. Pane kumitiiviste ja pallouimuri takaisin paikalleen samalla tavalla.

Käymälän kumitiivisteet (liukukannen tiiviste, mekanismin tiiviste, automaattisen paineenpoistiventtiilin tiiviste, kannen tiiviste) on käsiteltävä säännöllisesti Thetfordin silikonisuihkeella. Näin tiivisteet pysyvät joustavina ja hyväkuntoisina. Vaikka käymälää ei käytettäisi pitkään aikaan, on tärkeää käsitellä tiivisteet puhdistamisen jälkeen Thetfordin silikonisuihkeella.

Huomaa! Älä käytä koskaan vaseliinia tai muita kasviöljyjä paitsi oliiviöljyä. Ne voivat aiheuttaa vuotoja.

Huom. Liukukannen tiivistysrenkas altistuu kulumiselle. Huollon määrästä ja huoltotavasta riippuen tiivistysrenkaan toiminta heikkenee tietyn ajan kuluttua, jolloin se pitää vaihtaa.

KÄYTTÖ TALVELLA

Thetford Cassette-käymälää voidaan käyttää tavallisen tapaan kylmällä ilmalla, jos se on lämmitetyssä ympäristössä. Jos näin ei ole, on mahdollista, että käymälä jäätyy. Siinä tapauksessa suosittelemme käymälän tyhjentämistä kohdan "Varastointi" ohjeiden mukaisesti.

Pakkasnesteidien, kuten auton jäädyttimessä käytettävien pakkasnesteidien, käyttöä ei suositella ympäristölle koituvien haittojen vuoksi.

THETFORDIN TAKUU

Thetford B.V. myöntää tuotteidensa loppukäyttäjille 3 vuoden takuun. Takuun voimassaoloaikana Thetford vaihtaa tai korjaa viallisten tuotteen. Siinä tapauksessa viallisten osien vaihtaminen, siitä aiheutuneet palkkakulut ja/tai itse osien hinta tulevat Thetfordin maksettaviksi.

- Jos tuotteen käyttäjä haluaa käyttää takuuta hyväkseen, hänen pitää viedä tuote Thetfordin valtuuttamaan huoltoliikkeeseen, jossa vaatimus arvioidaan.
- Jos tuotteen osia vaihdetaan tuotteen korjaamiseksi takuun puitteissa, niin kyseiset osat tulevat Thetfordin omistukseen.
- Tämä takuu ei vaikuta voimassa olevaan kuluttajalainsäädäntöön.
- Takuu ei koske tuotteita, joita käytetään tai on käytetty kaupallisiin tarkoituksiin.
- Takuu raukeaa, jos jokin seuraavista ehtoista täyttyy:
 - tuotetta on käytetty arvostelukyvyttömästi tai käyttöohjeita ei ole noudatettu;
 - tuotetta ei ole asennettu ohjeiden mukaisesti;
 - tuotteeseen on tehty muutoksia;
 - tuote on korjattu jossakin muualla kuin Thetfordin hyväksymässä huoltoliikkeessä;
 - tuotteen sarjanumeroa tai koodia on muutettu;
 - tuotteen vahingoittuminen on seurausta olosuhteista, jotka eivät liity itse tuotteen normaaliin käyttöön.

ASIAKASPALVELU

Jos Sinulla on kysyttävää käymälästä tai haluat siitä lisää tietoa, voit vieraila www.sivullamme **www.thetford-europe.com**. Löydät sieltä muun muassa usein esitetyt kysymykset, ongelmat ja niiden ratkaisut, korjausohjeet, vihjeet ja luettelon Thetfordin jälleenmyyjistä lähimmällä paikkakunnalla. Jos Sinulla on siitä huolimatta vielä kysyttävää tai huomautettavaa, voit ottaa yhteyden asiakaspalveluosastoon omassa maassasi (katso osoitteita tämän käyttöohjeen lopussa).

VASTUU

Thetford ei ole vastuussa menetyksistä ja/tai vahingoista, jotka aiheutuvat suoraan tai epäsuorasti käymälän käytöstä.

SI Navodila za uporabo

Ta navodila za uporabo obsegajo modele stranišč Thetford cassette C-402C, C-402X in C-403L. Ti modeli se glede na uporabo nekoliko razlikujejo. Pazite, da boste sledili navodilom, ki se nanašajo na vaš model stranišča.

Sestavni deli in delovanje so označeni s črkami in prikazani v zgibanki, ki se nahaja na hrbtni strani teh navodil za uporabo.

Postopki uporabe, kot jih označujejo zaporedne številke, so opisani v zgibanki pred temi navodili za uporabo.

SESTAVNI DELI IN DELOVANJE MODELOV C-402C, IN C-402X

- Ročaj: odpira in zapira zaporo ventila.
- Gumb za splakovanje: ob pritisku nanj električna črpalka napolni školjko z vodo.
- Kazalec količine fekalij: ko je posoda za fekalije polna, se prikaže rdeče obarvan znak LED (C402C in C-402X). Če na kratko pritisnete gumb za splakovanje, se bo na zaslonu pokazala količina v posodi za fekalije (C-402X) in količina v kotličku za vodo (C-420X).
- Razstavljiv sedež in pokrov.
- Prekrivne plošče.
- Prostor za shranjevanje kemikalij (samo višji model).
- Varnostna zaponka: drži posodo za fekalije na njenem mestu.
- Lijak za polnjenje z vodo: za lažje polnjenje kotlička z vodo.
- Pokrov: zagotavlja optimalno higieno. Odpre se, ko posodo za fekalije vstavimo v stranišče ter zapre, ko posodo odstranimo.
- Odstranljiv mehanizem.
- Odpiralec zapore ventila.
- Zapora ventila.
- Zračnik: preprečuje pljuskanje vsebine med praznjenjem.
- Gornji ročaj.
- Avtomatični zračnik za izenačevanje pritiska: skrbi za zračenje posode za fekalije, ko je le ta vstavljena v stranišče ter zmanjšuje pritisk v posodi.
- Ročaj za izvlečenje: za lažje prenašanje posode za fekalije.
- Kolesa.
- Vrtljiv tulec za praznjenje: omogoča lažje in bolj higiensko praznjenje posode za fekalije.
- Odstranite priključek za polnjenje z vodo.
- Loputa: omogoča dostop do posode za fekalije ter lijaka za polnjenje kotlička in jo je mogoče zakleniti z zunanje strani vozila.

SESTAVNI DELI IN DELOVANJE MODELA C-403L

- Ročaj: odpira in zapira zaporo ventila.
- Gumb za splakovanje: ob pritisku nanj centralna električna črpalka v vozilu črpa vodo v školjko.
- Kazalec količine fekalij: ko je posoda za fekalije polna, se prikaže rdeče obarvan znak LED. Če na kratko pritisnete gumb za splakovanje, se bo na zaslonu pokazala količina v posodi za fekalije.
- Razstavljiv sedež in pokrov.
- Prekrivne plošče.

- Prostor za shranjevanje kemikalij (samo višji model).
- Varnostna zaponka: drži posodo za fekalije na njenem mestu.
- Pokrov: zagotavlja optimalno higieno. Odpre se, ko je posoda za fekalije vstavljena v stranišče.
- Odstranljiv mehanizem.
- Odpiralec zapore ventila.
- Zapora ventila.
- Zračnik: preprečuje pljuskanje vsebine med praznjenjem.
- Avtomatični zračnik za izenačevanje pritiska: skrbi za zračenje posode za fekalije, ko je le ta vstavljena v stranišče ter zmanjšuje pritisk v posodi.
- Gornji ročaj: za enostavno praznjenje.
- Ročaj za izvlečenje: za lažje prenašanje posode za fekalije.
- Kolesa.
- Vrtljiv tulec za praznjenje: omogoča lažje in bolj higiensko praznjenje posode za fekalije.
- Loputa za dostop do posode za fekalije: zakleniti jo je mogoče z zunanje strani vozila.

UVOD

Prenosno stranišče Thetford je visoko kakovosten in funkcionalno zasnovan izdelek, ki ga odlikujeta preprosta uporaba in moderen dizajn. Stranišče bo brez težav postalo sestavni del vaše kopalnice v počitniški prikolicici ali avtodomu. Prenosno stranišče je izdelano iz visoko kakovostnih sintetičnih materialov. Zaradi vseh teh lastnosti je stranišče trpežno in preprosto za vzdrževanje.

Stranišče je sestavljeno iz dveh delov: trajno fiksirana straniščna školjka in posoda za fekalije, ki je dostopna od zunaj. Posoda za fekalije je odstranljiva in se nahaja pod školjko, odstranite jo lahko skozi loputo na zunanji strani počitniške prikolicice ali avtodoma.

Thetfordovo prenosno stranišče je idealna rešitev sanitarnega problema v vaši počitniški prikolicici ali avtodomu!

PRIPRAVA ZA UPORABO C-402C, C-402X IN C-403L

- Odprite loputo na zunanji strani vaše prikolicice oz. avtodoma.

C-402C IN C-402X

- Iztočni žleb posode za fekalije zasukajte za 90 stopinj in odstranite priključek za polnjenje z vodo (našli ga boste pod ročajem, ki je najbližje iztočnemu žlebu).
- Lijak za polnjenje z vodo zasukajte navzven, odstranite pokrov in vstavite priključek v lijak za polnjenje z vodo. Dodajte navedeno količino Thetford-ovega dodatka za svežo vodo v kotliček z vodo. To zagotavlja učinkovitejši in čistejši curek in ohranja vodo v kotličku svežo.
- Kotliček z vodo napolnite s čisto vodo.
Pozor: nivo vode naj bo pod vrhom lijaka za polnjenje z vodo.
- Odstranite priključek in ga vrnite na njegovo prvotno mesto na posodi za fekalije.

Opomba: glede na to, koliko prostora je med vrati in posodo za fekalije, lahko ta priključek pritrdite tudi na vrata s kljuko. Privijte pokrov nazaj na lijak za polnjenje z vodo in potisnite nazaj noter proti bočni strani posode za izpiranje.

Opomba: Ko je vodni tank prazen ostane v lijaku za polnjenje z vodo 150 ml vode.

C-402C, C-402X IN C-403L

- Potegnite varnostno zaponko navzgor in odstranite posodo za fekalije.
- Posodo povlecite ven kolikor lahko, ko se zaustavi, jo rahlo nagnite in nato potegnite ven do konca.
- Posodo za fekalije postavite v pokončen položaj in obrnite tulec za izlivanje navzgor.
- S tulca odstranite pokrovček, ki naj vam služi kot merilna posodica. Odmerjeno količino kemikalije vlijte v posodo za fekalije. Kemikalija preprečuje neprijetne vonjave in ohranja čisto notranjost posode za fekalije. Nato dodajte približno 2L vode oz. toliko, da je dno posode pokrito s tekočino. Privijte merilni pokrovček nazaj na tulec in postavite tulec nazaj v prvotni položaj.
Pomembno: Pokrovček tulca za izlivanje je priložen v paketu skupaj s temi navodili za uporabo.
- Opozorilo!** Kemikalije nikoli ne vlivajte skozi ventil ali skozi straniščno školjko. Kemikalija se takoj se zmeša z vodo v posodi za fekalije.
- Skozi loputo potisnite posodo za fekalije nazaj v prvoten položaj.
Opozorilo! Nikoli ne uporabite sile, če imate težave pri vstavljanju posode nazaj na njeno mesto. S tem lahko povzročite veliko škode.
- Prepričajte se, da je posoda za fekalije pritrjena z varnostno zaponko. Zaprite loputo in jo zaklenite.

UPORABA

C-402C, C-402X IN C-403L

- Spustite nekaj vode v školjko. To lahko naredite tako, da pritisnete na gumb za splakovanje ali pa potisnete ročko ventila pod straniščno školjko proti sebi. Vaše Thetford stranišče je zdaj pripravljeno za uporabo.
- Po uporabi odprite zaporo ventila (če je ta še vedno zaprta) tako, da zavrtite ročko ventila na levo. Stranišče splaknite tako, da za nekaj sekund pritisnete na gumb za splakovanje. **NASVET!** Splakovanje stranišča bo bolj učinkovito, če splakujete tako, da večkrat zaporedoma pritisnete gumb za splakovanje. Ko je stranišče splaknjeno, zaprite zaporo ventila.
Opozorilo! Ne puščajte vode v školjki, ko stranišče ni v uporabi. To onemogoča preprečevanje neprijetnih vonjav in lahko privede do razlitja vode.
Opomba! Da bi se izognili morebitnim težavam z zamaševanjem, vam svetujemo uporabo Aqua Soft toaletnega papirja, ki se hitro razgradi.
Pomembno opozorilo. Prosimo ne za enite hoda, ko je rezervoar za odpadno vodo prekomerno poln (priporočamo, da je prazen, oz. mora biti napoln prazen). Ne za enite hoda, če je v —koljki voda. Neupo—tevanje teh opozoril je lahko vzrok za po—kodbe z vodo v avtodomu oz. prikolicici. Prosimo, da ne potujete s posodo za odpadke, ki je 3/4 polna. To lahko povzroči puščanje skozi sistem za odvajanje.

PRAZNJENJE

Prostornina posode za fekalije znaša 19 litrov; izprazniti jo je potrebno najkasneje takrat, ko se na zaslonu prižge rdeča lučka. Signalna luč se bo prižgala, ko bo v posodi za fekalije prostora le še za 2 litra oz. za približno 3 uporabe. Posodo je priporočljivo izprazniti že prej.

Opozorilo! Ne dovolite, da se posoda za fekalije prenapolni.

C-402C, C-402X IN C-403L

14. Prepričajte se, da je zapora ventila zaprta. Odprite loputo na zunanji strani vozila. Potisnite varnostno zaponko navzgor in odstranite posodo za fekalije.

15. Najprej odstranite priključek za polnjenje z vodo, da ga ne bi izgubili med praznjenjem posode za fekalije.

16. Posodo postavite v pokončen položaj (ročaj za izvlečenje zgoraj, kolesa spodaj). Ročaj potisnite navzdol in ga povlecite stran od posode za fekalije, dokler ne izskoči iz prvotnega položaja.

17. Ročaj potegnite navzgor in posodo za fekalije odpeljite do uradnega odlagališča fekalij.

18. Ročaj potisnite nazaj. Tulec za praznjenje obrnite navzgor in odstranite pokrovček. Z eno roko primite posodo za gornji ročaj, z drugo pa primite za drugi ročaj na zadnji strani, tako da boste s palcem lahko pritiskali na gumb zračnika. Med praznjenjem posode naj bo gumb zračnika ves čas pritisnjen; tako jo lahko izpraznite brez pljuskanja.

Ko ste posodo spraznili, jo temeljito operite z vodo. Zaporo ventila prav tako očistite z vodo.

Opozorilo! Na gumb zračnika pritiskajte le, kadar je tulec obrnjen navzdol!

19. Po potrebi še enkrat pripravite stranišče za uporabo. Vrnite priključek nazaj na njegovo prvotno mesto na posodi za fekalije. Posodo za fekalije potisnite v stranišče in zaprite vhodna vrata.

SI SHRANJEVANJE

Če Thetfordovega prenosnega stranišča ne nameravate uporabljati dalj časa, je pomembno, da pazljivo sledite navodilom spodaj.

Popolnoma izpraznite posodo za vodo s pomočjo odtočne cevi, ki služi tudi kot pokazatelj nivoja takočine. Izvlecite odtočno cev z objemke in jo pazljivo potegnite z gornjega nastavka.

Odtočno cev usmerite skozi odprtino na vratih in tako omogočite iztekanje vode.

Ko je iztekanje zaključeno, se prepričajte, da je odtočna cev nameščena nazaj na gornji nastavek.

C-403L

Izčrpajte vso vodo iz sistema v vaši počitniški prikolici ali avtodomu.

C-402C, C-402X IN C-403L

20. Odprite zaporo ventila tako, da zavrtite ročaj na stranišču v levo. Pritisnite na modri gumb dokler voda ne preneha teči v kotliček. Zaprite zaporo ventila.

C-402C IN C-402X

21. Na zunanji strani vaše prikolice ali avtodoma odprite loputo in obrnite lijak navzven. Odvijte pokrovček in spraznite lijak tako, da ga obrnete za četrtino obrata v levo.

C-402C, C-402X IN C-403L

22. Odstranite posodo za fekalije in jo izpraznite na uradnem odlagališču fekalij. Upoštevajte navodila za čiščenje in vzdrževanje.

23. Zamenjajte posodo za fekalije in odprite zaporo ventila tako, da ročaj na stranišču obrnete v levo.

ČIŠČENJE IN VZDRŽEVANJE

Straniše je treba redno istiti in vzdrževati; pogostnost išenja je odvisna od pogostnosti uporabe. Za išenje Thetfordovih straniš priporočamo uporabo vode in Thetfordovega istila za kopalnice.

Opomba: Nikoli ne uporabljajte belila, kisa ali drugih monih gospodinjstkih istil, ki vsebujejo te snovi. Te snovi lahko namre trajno poškodujejo tesnila in druge sestavne dele straniša.

Stranišna školjka

- Nalijte Thetford Toilet Bowl Cleaner (istilec) v stranišno posodo in uporabite Thetford Bathroom Cleaner za išenje zunanjosti. Pred uporabo izdelka preberite navodila.
 - Izplaknite stranišno školjko z vodo in preostali del straniša obrišite z mokro krpo.
 - Oistite sedalo s pokrovom Sedalo in pokrov lahko enostavno odstranite: Dvignite sedalo in pokrov in izvlecite okrogla zatia (v notranjosti) iz lukenj. Po konanem išenju namestite sedalo in pokrov, vstavite zatie v luknje ter pritisnite sedalo s pokrovom navzdol.
 - Da bi bila izplakovalna voda sveža in da bi se izognili nastajanju usedlin v stranišni školjki, dodajte v rezervoar izplakovalne vode (e ga vaše straniše ima) ustrezno količino tekoine Aqua Rinse.
- Nasvet!** Da bo vaše straniše zares blešča, ga po išenju obrišite še z mehko, suho krpo.

Posoda za fekalije

Priporočamo temeljito išenje posode za fekalije enkrat v vsakem razdobju. Poleg uporabe istila kot monega istilnega sredstva za obasno išenje posode za fekalije vašega straniša predlagamo naslednje:

- Mehанизem z obratom na levo, kot je prikazano na posodi, odstranite s posode za fekalije. Celoten mehanizem splaknite pod pipo.
- Prekrivno ploščo odstranite z avtomatičnega zračnika za izenačevanje pritiska tako, da jo dvignete z izvijačem. Z eno roko odprite avtomatični zračnik, z drugo pa držite ležaj zračnika na notranji strani kotlička. Ležaj potisnite navzgor, ga obrnite za polovico obrata in odstranite s spodnjega dela. Odstranite gumasto tesnilo pod ležajem. Pod pipo splaknite ležaj in gumasto tesnilo. Nazaj na avtomatični zračnik za izenačevanje pritiska ju namestite na enak način.

Gumasta tesnila v stranišču (zapora ventila, tesnilo mehanizma, tesnilo avtomatičnega zračnika za izenačevanje pritiska in tesnilo pokrovčka) redno vzdržujte s pomočjo Thetford maziva High Grade Seal Lubricant. Tako bodo tesnila ostala prožna in v dobrem stanju. Če stranišča nekaj časa ne boste uporabljali, je pomembno, da tesnila po čiščenju vzdržujete s Thetford mazivom High Grade Seal Lubricant.

Opozorilo! Nikoli ne uporabljajte vazelina ali drugih olj, primerno je le olivno olje. Ostala lahko povzročajo uhajanje.

Pomembno Tesnilo zapore ventila se lahko obrabi. Tesnilo bo po določenem času, odvisno od vzdrževanja, postalo manj učinkovito in ga bo potrebno zamenjati.

UPORABA POZIMI

Prenosno stranišče Thetford lahko uporabljate v hladnem vremenu, če se

nahaja v ogrevanih prostorih. V nasprotnem primeru lahko zamrzne. V tem primeru vam svetujemo, da stranišče izpraznite po navodilih, opisanih pod 'Shranjevanje'.

Zaradi okoljevarstvenih razlogov odsvetujemo uporabo sredstev proti zamrzovanju, kot npr. sredstva, ki jih uporabljamo za hladilnik avtomobila.

GARANCIJA ZA PROIZVODE THETFORD

Thetford B.V. zagotavlja končnim porabnikom 3-letni garancijski rok. V primeru okvare znotraj tega obdobja bo Thetford proizvod zamenjal oz. popravil. Stroške zamenjave, dela, vloženega v zamenjavo okvarjenega dela in/ali stroške delov samih, bo v tem primeru kril Thetford.

1. Za popravilo v garanciji mora uporabnik proizvod predložiti pooblaščenemu servisnemu centru podjetja Thetford, kjer bodo ocenili škodo.
2. V primeru zamenjave delov med popravilom v garanciji, ti deli postanejo last podjetja Thetford.
3. Ta garancija je v skladu s trenutnim zakonom o varstvu potrošnikov.
4. Garancija ne velja, če se proizvode uporablja v trgovske namene.
5. Zahteva po popravilu v garanciji ne bo odobrena v naslednjih primerih:
 - nepravilna uporaba proizvoda ali neupoštevanje navodil za uporabo;
 - proizvod ni bil nameščen v skladu z navodili;
 - proizvod je spremenjen;
 - okvara proizvoda je bila popravljena v nepooblaščenem servisnem centru;
 - spremenjena je bila serijska številka oz. proizvodna koda;
 - proizvod je bil poškodovan v okoliščinah, ki ne ustrezajo njegovi običajni uporabi.

SERVISNI CENTER

Za nadaljnje informacije ali vprašanja o vašem stranišču prosim obiščite našo spletno stran www.thetford-europe.com. Tam boste našli odgovore na pogosto zastavljena vprašanja, težave in rešitve, navodila za popravilo, nasvete in seznam vam najbližjih prodajnih zastopnikov Thetford. Če boste kljub temu imeli še kakšno vprašanje, se obrnite na Servisni center v vaši državi (naslove najdete na zadnji strani priročnika).

ODGOVORNOST

Thetford ne odgovarja za izgubo in/ali poškodbo, ki jo je posredno ali neposredno povzročila uporaba stranišča.