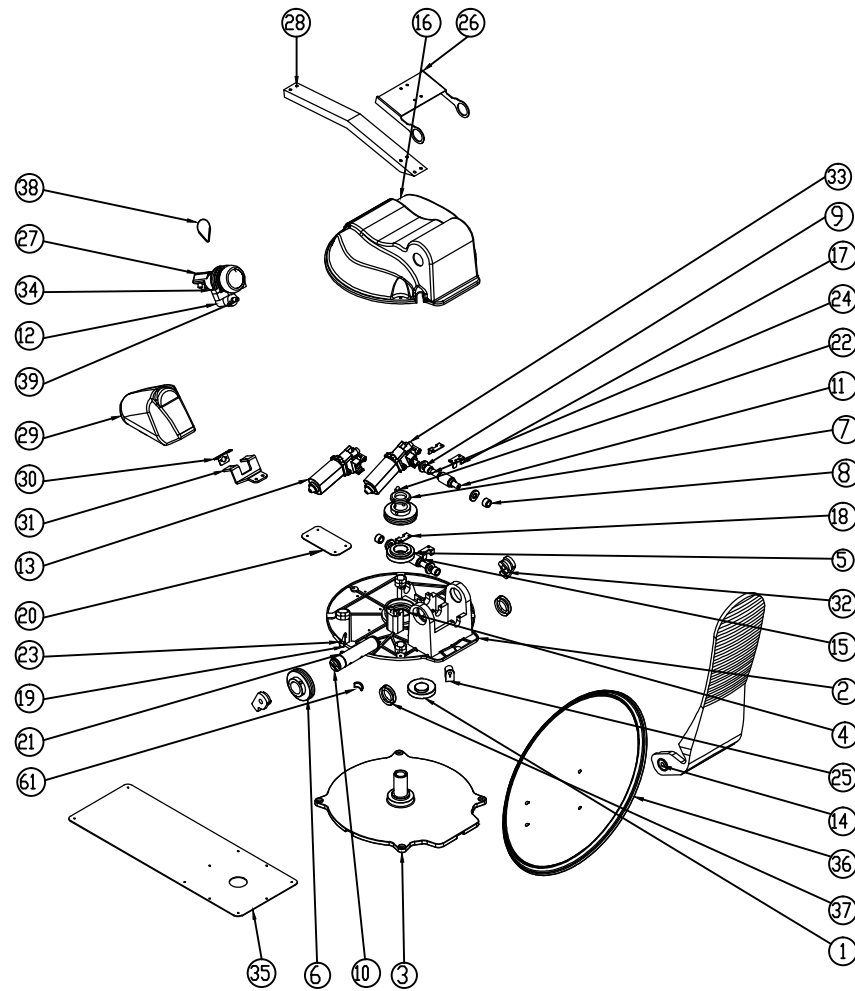
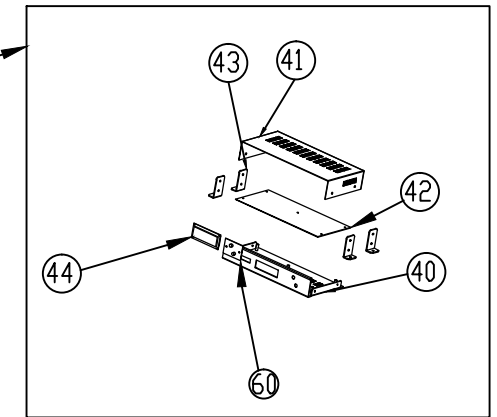


NO	NAME	CoastRV Reference Number	Q'TY
1	OIL SEAL 6075 9T		1
2	UPPER PLATE		1
3	DOWN PLATE		1
4	NTB/AS 4060 BEARING		1
5	30206J BEARING		1
6	WORM WHEEL		2
7	AN06 LOCK NUT		1
8	HK1212 BEARING		4
9	NTB/AS1226 BEARING		4
10	AZ SHAFT		1
11	EL WORM		1
12	SKEW MOTOR	Z900-06307	1
13	AZ MOTOR	Z900-06308	2
14	REFLECTOR BKT	Z900-06309	1
15	AZ WORM		1
16	COVER	Z900-06310	1
17	AZ BERAING COVER		2
18	EL BERAING COVER		2
19	LIMIT SWITCH BKT		1
20	CONNECTOR BOARD		1
21	LIMIT BUSHING		1
22	SPRING PIN(Ø6*12mm)		1
23	SPRING PIN(Ø6*20mm)		1
24	SPRING PIN(Ø3_10mm)		2
25	RADOME STOPPER		1
26	LNB ARM BKT	Z900-06311	1
27	LNB	Z900-06312	1
28	ARM AP850P	Z900-06313	1
29	SKEW COVER	Z900-06314	1
30	Skew Motor BKT		1
31	LNB BKT	Z900-06315	1
32	DRIVE BKT SUPPORT	Z900-06316	2
33	EL MOTOR	Z900-06317	1
34	LNB HOLDER ASS'Y	Z900-06318	1
35	MOUNT FEET	Z900-06319	1
36	REFLECTOR	Z900-06305	1
37	6806ZZ BEARING		2
38	99MXL*4m BELT	Z900-06320	1
39	SKEW MOTOR	Z900-06321	1
61	STOW BKT		1

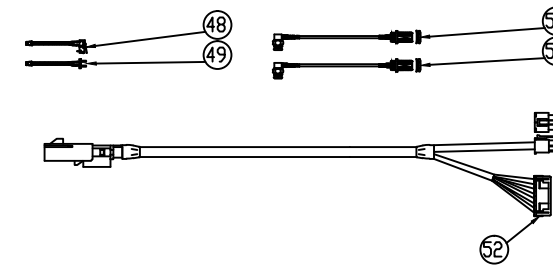
NAME OF GOODS	MATERIAL	QUANTITY	REMARK
SSA-850	-	1	-



NO	NAME	CoastRV Reference Number	Q'TY
40	IDU CASE LOWER		1
41	IDU CASE UPPER		1
42	IDU BOARD	Z900-06322	1
43	IDU CASE FIX BKT		4
44	LCD PANEL		1
60	SWITCH BOARD		1
62	IDU SET	Z900-06327	1



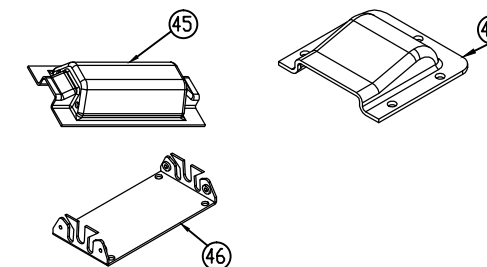
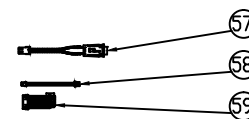
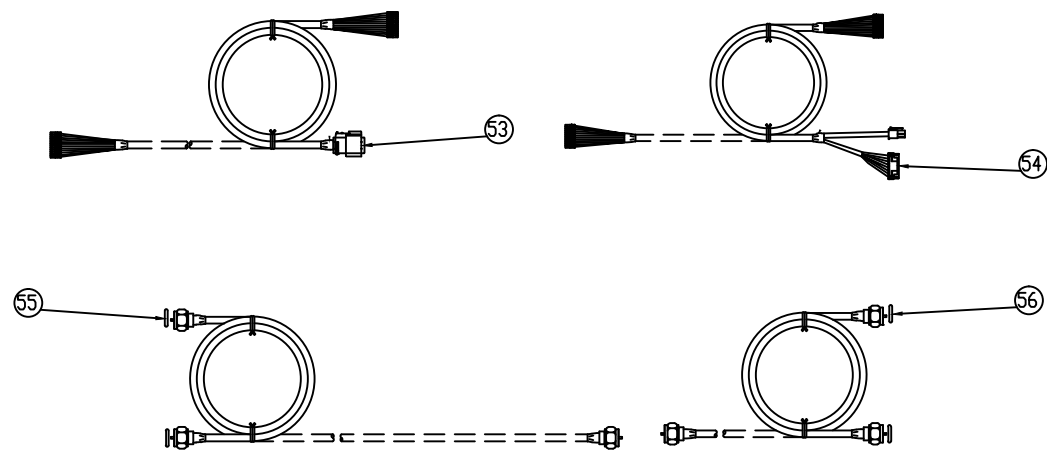
NO	NAME	MM	CoastRV Reference Number	Q'TY
48	LIMIT SWITCH	100mm		1
49	LIMIT SWITCH	320mm		1
50	LNB OUT 1	2,000mm	Z900-06325	1
51	LNB OUT 2	2,000mm	Z900-06325	1
52	CON' BOX CONNECTOR B'D	700mm	Z900-06326	1



NO	NAME	MM	CoastRV Reference Number	Q'TY
53	BOARD CONNECTOR BOX	7,000mm	Z900-06301	1
54	POWER CABLE	1,500mm	Z900-06302	1
55	5C CABLE	7,000mm	Z900-06303	1
56	5C CABLE	1,500mm	Z900-06327	1

NO	NAME	MM	CoastRV Reference Number	Q'TY
57	POWER BUTTON	160mm		1
58	SELECTOR CABLE	110mm		1
59	LCD CABLE	113mm		1

NO	NAME	CoastRV Reference Number	Q'TY
45	CONNECTOR BOX CASE	Z900-06323	1
46	CONNECTOR BOX PLATE	Z900-06334	1
47	CLAM SHELL	Z900-06324	1



	MODEL	SSA-850