



**REPAIR PARTS LIST
FOR
47153B7665
MACH 9 EXPORT HEAT PUMP**

WARRANTY INFORMATION

PARTS RETURN

“Air Conditioning” in-warranty parts subject to return to RV Products must be sent prepaid to the following address. Always include your company’s claim or workorder along with RVP’s invoice generated from the shipment of the replacement part.

RV Products
A Division of Airxcel, Inc.
Attn: Warranty Return
3050 N. St. Francis
Wichita, KS 67219

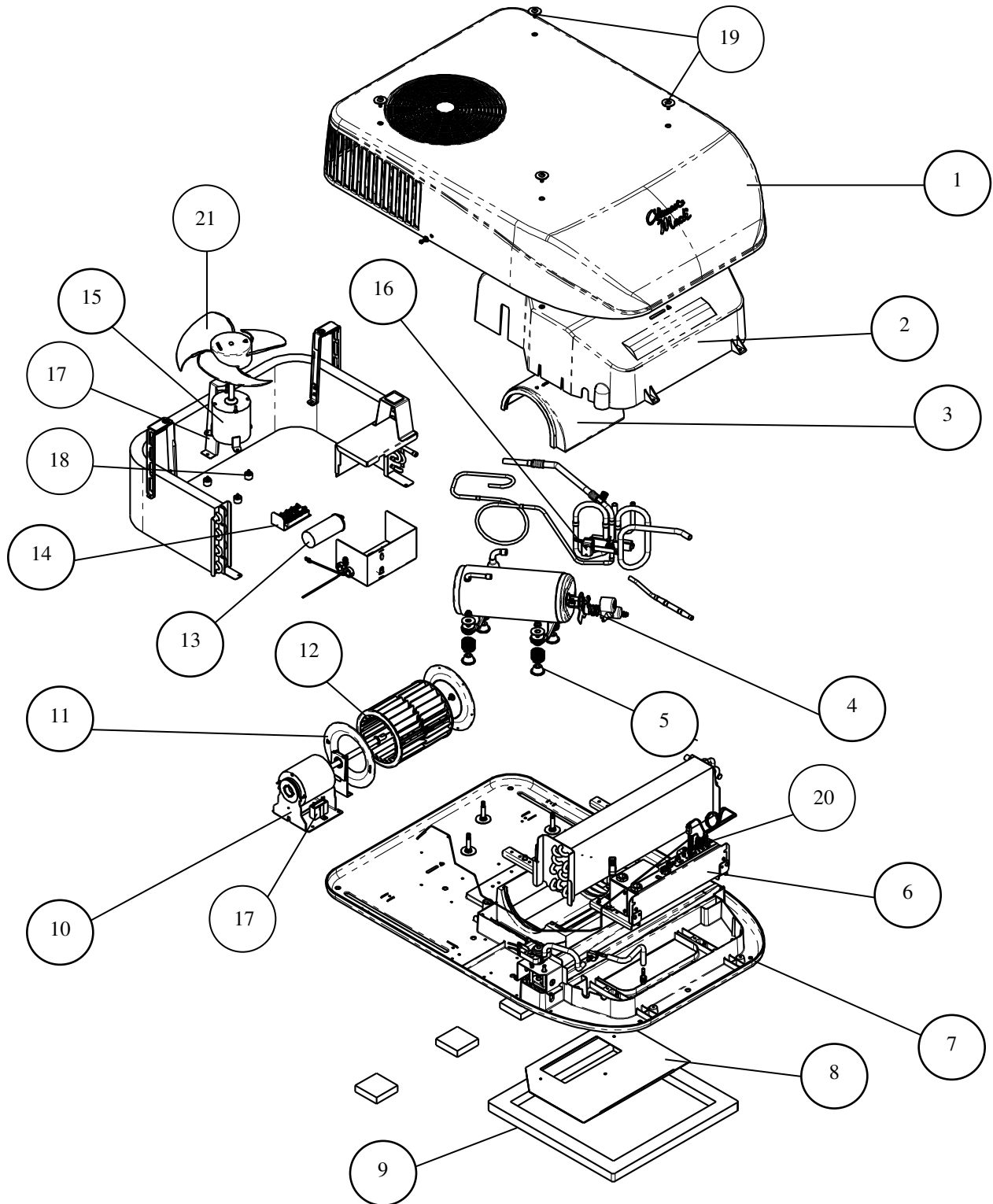
WRITTEN CORRESPONDENCE

All written correspondence (no parts) should be sent to the following address:

RV Products
A Division of Airxcel, Inc.
Dept. 546
P.O. Box 4020
Wichita, KS 67204

Coleman is a registered trademark of The Coleman Company, Inc. used under license. Mach is a registered trademark.

47153B7665



47153B7665



CODE	USED ON MODEL	PART NUMBER	DESCRIPTION	NO. REQUIRED
1.	All	47103A2261	Shroud White	1
2.	All	47233B535	Evaporator Cover	1
3.	All	47233A515	Scroll Top	1
4.	All	1450-0271	Overload	1
5.	All	1450-9451	Compressor Mounting Package	1
6.	All	9570A5211	IRC Control Box	1
7.	All	47103C201	Basepan	1
8.	All	47233A113	Blockoff Plate	1
9.	All	47233-3301	Basepan Gasket	1
10.	All	1468-3409	Indoor Motor (240V/50Hz)	1
11.	All	1472-0041	Venturi Ring	2
12.	All	1472A1191	Blower Wheel	1
13.	All	1499-5671	Run Capacitor (30MFD/370V)	1
14.	All	47103-318	Terminal Board	1
15.	All	1468-3419	Outdoor Motor (240V/50Hz)	1
16.	All	1460-1351	Solenoid Coil	1
17.	All	1499-6431	Indoor/Outdoor Motor Capacitor	1
18.	All	47233A3171	Fan Motor Isolators	1
19.	All	47103-5011	Shroud Mounting Hardware kit	1
20.	All	9570-3231	Indoor/Outdoor Freeze Sensor	1
21.	All	1472D5042	Fan Blade	1
ns.	All	1460-0151	Fuse 15A 250V Slow Acting	1
ns	All	47103-511	Shroud Support	1
ns	All	47103-375	Conduit Assy (9 pin plug and wiring)	1

***Due to unit changes, one of the kits below may need to be purchased to replace component listed above:**

ns	All	9570-6101	Defrost Upgrade Kit	1
ns	All	47103-5021	Fan Motor/Blade Kit Exp	1

ns = not shown

SPECIAL ORDER PARTS:

NOTE: All parts with three digit suffix numbers are “Special Order” parts. These parts are subject to factory availability and require extra time for delivery.



**REPAIR PARTS LIST
FOR
9430A451
FREE DELIVERY IRC
CEILING ASSEMBLY 14” OPENING**

WARRANTY INFORMATION

PARTS RETURN

“Air Conditioning” in-warranty parts subject to return to RV Products must be sent prepaid to the following address. Always include your company’s claim or workorder along with RVP’s invoice generated from the shipment of the replacement part.

RV Products
A Division of Airxcel, Inc.
Attn: Warranty Return
3050 N. St. Francis
Wichita, KS 67219

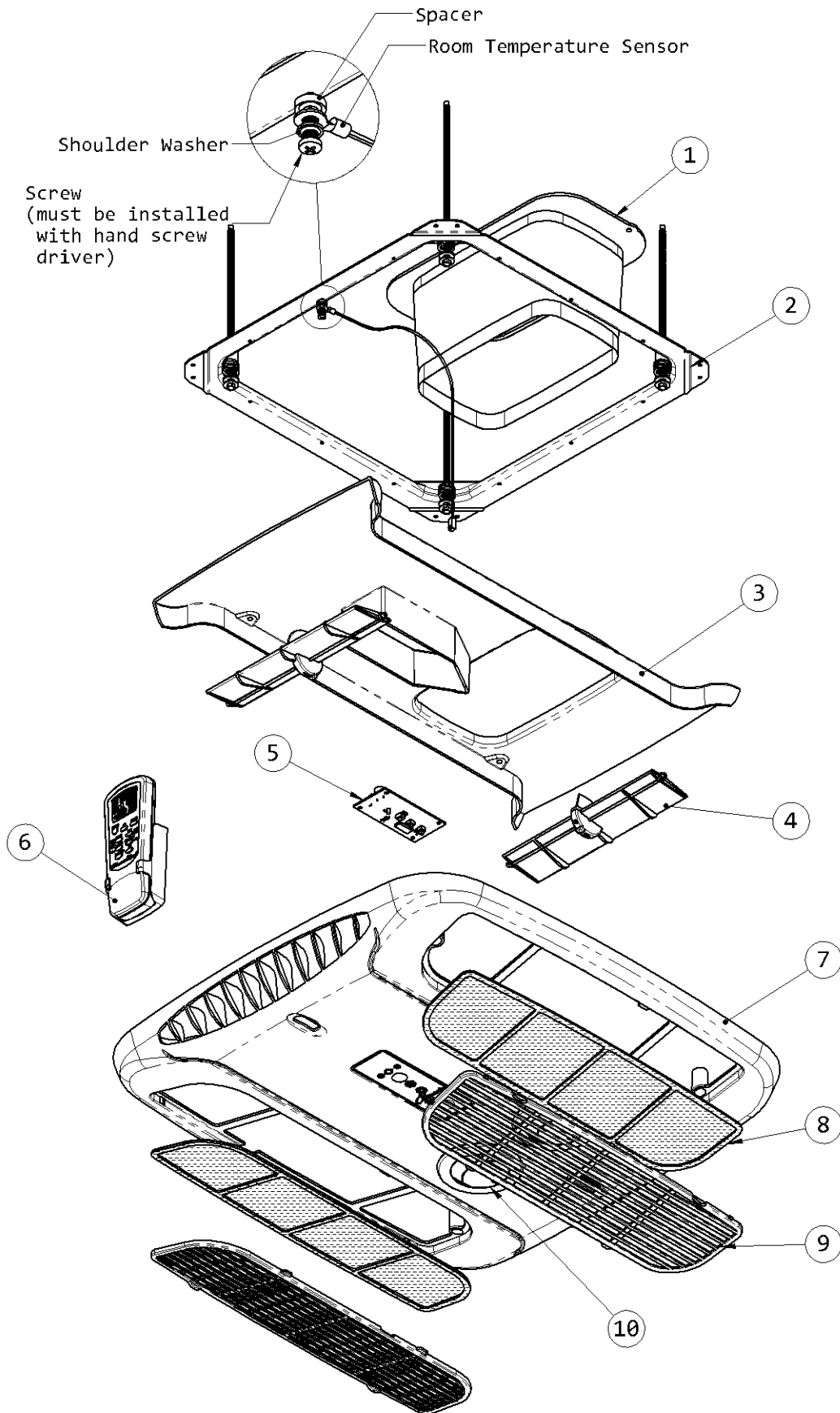
WRITTEN CORRESPONDENCE

All written correspondence (no parts) should be sent to the following address:

RV Products
A Division of Airxcel, Inc.
Dept. 546
P.O. Box 4020
Wichita, KS 67204

Coleman is a registered trademark of The Coleman Company, Inc. used under license. Mach is a registered trademark.

9430A451



9430A451



CODE	USED ON MODEL	PART NUMBER	DESCRIPTION	NO. REQUIRED
1.	All	9330A4541	Fabric Duct Collar (Air Duct)	1
2.	All	9330-105	Mounting Frame	1
3.	All	9430-403	Chute	1
4.	All	9430A3051	Vane Package	1
5.	All	9430-315	PC Board	1
6.	All	9430-350	IRC Transmitter	1
7.	All	9430A301	Shroud (White)	1
8.	All	9430-3091	Filter Package	1
9.	All	9430-4071	Grille (White)	1
10.	All	9470-350	Louver (White)	2
ns	All	9430-599	Small Parts Package	1

If you would like to upgrade your ceiling assembly by installing louvers, the below kit must be purchased.

ns	All	9430-6101	Ceiling Assembly Upgrade Kit	1
----	-----	-----------	------------------------------	---

ns = not shown

SPECIAL ORDER PARTS:

NOTE: All parts with three digit suffix numbers are “Special Order” parts. These parts are subject to factory availability and require extra time for delivery.