

**FOOD & BEVERAGE | REFRIGERATORS**

**MOBILE LIVING  
MADE EASY.**

**↗ DOMETIC**



## **FEATURES OF DOMETIC 3-WAY REFRIGERATORS**

# ABSORPTION REFRIGERATION FOR 12 V, 240 V AND GAS

- Famous 3-way silent operation LP Gas, 12 V and 240 V
- Performance enhanced cooling units - designed and manufactured for harsh Australian conditions
- AES and UES models (RM 2356, RM 2455, RM 2555, RM 4606, RM 4805) allow the user to simply turn the refrigerator on and the refrigerator will select the best available energy source; 240 V being its first option then sourcing 12 V (senses when your engine is running) and gas thereafter
- Doors can be hinged from right to left opening (except RGE 410). RM 8501, RMDX 21 and RMDX 25 are also available in left or right opening options at time of ordering
- Friendly to the environment - CFC free
- Door panels are replaceable to suit any décor (all models except RGE 410, RMDX 21 and RMDX 25)
- Automatic flame failure safety device shuts off the gas supply if the flame is extinguished
- Flame indicator for gas operation (manual models only)
- Lockable doors for travelling
- Magnetic door seals
- Full 3-year warranty

## CHOOSE FROM 4 OPTIONS:



1 - Manual control



2 - MES: Manual Energy Selection with Automatic Gas Ignition

3 - AES: Automatic Energy Selection (fully automatic)



4 - UES: Universal Energy Selection (switchable between MES & AES)

## DOMETIC RM SERIES WITH MANUAL CONTROL

Combination fridge freezer - silent operation LP Gas, 12 V & 240 V



12/240 V



Up to 50 °C below ambient temperature



Gas



### DOMETIC RM 2350 - MANUAL CONTROL MODEL

Absorption refrigerator for 12 V, 240 V and gas - Single curved door model, 550 mm wide.

- Gas operation with manual ignition thermostatic control for 240 V and gas
- Wide metal mounting flanges for built in application - no exterior skin
- Top mounted controls

<b>Capacity</b>	total freezer compartment	approx. 90 L approx. 11 L
<b>Input rating</b>	240 V 12 V Gas	175 W 175 W 13.5 g/h
<b>Dimensions (WxHxD)</b>	550 x 766 x 565 mm	
<b>Cut out required (WxHxD)</b>	521 x 756 x 520 mm	
<b>Weight</b>	29 kg	
<b>Product</b>	<b>Ref. No</b>	
Dometic RM 2350	9105304001	

# DOMETIC RM SERIES WITH MANUAL CONTROL

Combination fridge freezer - silent operation LP Gas, 12 V & 240 V



## DOMETIC RM 2453 - MANUAL CONTROL MODEL

Absorption refrigerator for 12 V, 240 V and gas - Single door model, 632 mm wide.

- Gas operation with manual ignition thermostatic control for 240 V and gas
- Wide metal mounting flanges for built in application - no exterior skin
- Adjustable, removable door racks
- Positive lock door handles
- Top mounted controls

<b>Capacity</b>	total freezer compartment	approx. 120 L approx. 15 L
<b>Input rating</b>	240 V 12 V Gas	195 W 175 W 18 g/h
<b>Dimensions (WxHxD)</b>	632 x 948 x 627 mm	
<b>Cut out required (WxHxD)</b>	607 x 928 x 610 mm	
<b>Weight</b>	41 kg	
<b>Product</b>	<b>Ref. No</b>	
Dometic RM 2453	9105304009	



## DOMETIC RM 2553 - MANUAL CONTROL MODEL

Absorption refrigerator for 12 V, 240 V and gas - Single door model, 632 mm wide.

- Gas operation with manual ignition thermostatic control for 240 V and gas
- Wide metal mounting flanges for built in application - no exterior skin
- Adjustable, removable door racks
- Positive lock door handles
- Top mounted controls

<b>Capacity</b>	total freezer compartment	approx. 148 L approx. 15 L
<b>Input rating</b>	240 V 12 V Gas	195 W 175 W 18 g/h
<b>Dimensions (WxHxD)</b>	632 x 1104 x 627mm	
<b>Cut out required (WxHxD)</b>	607 x H1083 x 610 mm	
<b>Weight</b>	46 kg	
<b>Product</b>	<b>Ref. No</b>	
Dometic RM 2553	9105304016	

## DOMETIC RM 4601 - MANUAL CONTROL MODEL

Absorption refrigerator for 12 V, 240 V and gas - Two door model, 632 mm wide.

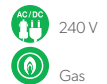
- Gas operation with manual ignition thermostatic control for 240 V and gas
- Wide metal mounting flanges for built in application - no exterior skin
- Adjustable, removable door racks
- Positive lock door handles
- Bottom mounted controls

<b>Capacity</b>	total freezer compartment	approx. 185 L approx. 48 L
<b>Input rating</b>	240 V 12 V Gas	325 W 275 W 20 g/h
<b>Dimensions (WxHxD)</b>	632 x 1427 x 668 mm	
<b>Cut out required (WxHxD)</b>	607 x 1415 x 620 mm	
<b>Weight</b>	61.5 kg	
<b>Product</b>	<b>Ref. No</b>	
Dometic RM 4601	9105306020	



## DOMETIC RGE MODEL WITH MANUAL CONTROL

Silent operation - 240 V & LP Gas



## DOMETIC RGE 410 - MANUAL CONTROL MODEL

Absorption refrigerator for 240 V and gas - Two door model, 592 mm wide - Free-standing unit with white steel cabinet.

- Gas operation with manual ignition thermostatic control for 240 V and gas
- Internal light

<b>Capacity</b>	total freezer compartment	Approx. 220 L Approx. 45 L
<b>Input rating</b>	240 V Gas	300 W 21 g/h
<b>Dimensions (WxHxD)</b>	592 x 1612 x 623 mm	
<b>Weight</b>	73 kg	
<b>Product</b>	<b>Ref. No</b>	
Dometic RGE 410	9107300114	





## DOMETIC RM 8 SERIES WITH MANUAL ENERGY SELECTION



## DOMETIC RM 8501 - ELECTRONIC MANUAL ENERGY SELECTION

Refrigerator for 12 V, 240 V and gas - Single door model, 523 mm wide.

- Fingertip door opening
- Patented removable freezer compartment
- User friendly control panel
- Flexible arrangement of shelves
- Internal light
- Door with magnetic seal, replaceable door seals
- Door locking with vent option
- Ergonomic door shelves with leakage protection
- Available in left and right hand opening option at time of ordering

<b>Capacity</b>	total with freezer compartment fitted freezer compartment total (refrigerator) with freezer compartment removed	approx. 100 L approx. 9 L approx. 106 L
<b>Input rating</b>	240 V 12 V Gas	135 W 125 W 18.3 g/h
<b>Dimensions (WxHxD)</b>	523 x 821 x 529 mm	
<b>Cut out required (WxHxD)</b>	527 x 825 x 542 mm	
<b>Weight</b>	27.8 kg	
<b>Product</b>	<b>Ref. No</b>	
Dometic RM 8501 LH	9105707285	
Dometic RM 8501 RH	9105707285	

## DOMETIC RM 8 SERIES WITH MANUAL ENERGY SELECTION



## DOMETIC RMDX 21 - ELECTRONIC MANUAL ENERGY SELECTION

Refrigerator for 12 V, 240 V and gas - Two door model, 523 mm wide

- Optimised tropical cooling unit
- Silent operation
- Mounting flanges for built-in application – no exterior skin
- High style door skins
- Fresh solid white racks & door shelves
- Flexible shelving system
- Thermostatically controlled twin 12V ventilation fans
- New DC quick connect terminal strip
- New thermal friendly door lock catches

<b>Storage Capacity</b>	total freezer compartment	190 L 35 L
<b>Weight</b>	41.5 kg	
<b>Dimensions (WxHxD)</b>	523mm x 1245mm x 622mm	
<b>No flange</b>	547mm x 1257mm x 622mm	
<b>With flange</b>		
<b>Cut out required (WxHxD)</b>	527mm x 1249mm x 572mm	
<b>Input Voltage</b>	AC 230V/ DC 12V	
<b>Performance</b>	T rated	
<b>Interior Light</b>	Yes	
<b>Energy Selection</b>	Manual (MES)	
<b>Colour</b>	Black	
<b>Certificates</b>	EMC, AGA	
<b>Product</b>	<b>Ref. No</b>	
Dometic RMDX 21 LH	9500001443	
Dometic RMDX 21 RH	9500001442	

# RM SERIES AUTOMATIC ENERGY SELECTION

AES series Combination fridge freezer - LP Gas, 12 V & 240 V



## DOMETIC RM 2555 - AUTOMATIC ENERGY SELECTION

AES series absorption refrigerator for 12 V, 240 V and gas - Single door model flat door, 632 mm wide.

- Gas operation with 12 V powered ignition, thermostatic control for 240 V, 12 V and gas
- Wide metal mounting flanges for built in application - no exterior skin
- Adjustable, removable door racks
- Positive lock door handles
- Top mounted controls
- Interior light

<b>Capacity</b>	total freezer compartment	approx. 120 L approx. 15 L
<b>Input rating</b>	240 V 12 V Gas	195 W 175 W 18 g/h
<b>Dimensions (WxHxD)</b>	632 x 948 x 627 mm	
<b>Cut out required (WxHxD)</b>	607 x 928 x 610 mm	
<b>Weight</b>	39 kg	
<b>Product</b>	<b>Ref. No</b>	
Dometic RM 2455	9105304012	



## DOMETIC RM 2455 - AUTOMATIC ENERGY SELECTION

AES series absorption refrigerator for 12 V, 240 V and gas - Single flat door model, 632 mm wide.

- Gas operation 12 V battery powered ignition, thermostatic control for 240 V, 12 V and gas
- Wide metal mounting flanges for built in application - no exterior skin
- Adjustable, removable door racks
- Positive lock door handles
- Top mounted controls

<b>Capacity</b>	total freezer compartment	approx. 148 L approx. 15 L
<b>Input rating</b>	240 V 12 V Gas	195 W 175 W 18 g/h
<b>Dimensions (WxHxD)</b>	632 x 1104 x 627 mm	
<b>Cut out required (WxHxD)</b>	607 x 1083 x 610 mm	
<b>Weight</b>	44.5 kg	
<b>Product</b>	<b>Ref. No</b>	
Dometic RM 2555	9105304019	



# RM SERIES UNIVERSAL ENERGY SELECTION

UES series Combination fridge freezer - LP Gas, 12 V & 240 V



12/240 V



Up to 50 °C below ambient temperature



Gas

## DOMETIC RM 2356 - UNIVERSAL ENERGY SELECTION

Universal Energy Selection 3-Way Refrigerator

- Universal LP Gas compatible
- Easy changing of the door from left to right with the included hinge kit
- Easy access to internal freezer compartment
- Quick and easy removal of shelves

<b>Capacity</b>	total freezer compartment	approx. 95 L approx. 11 L
<b>Input rating</b>	240 V 12 V Gas	175 W 175 W 13.5 g/h
<b>Dimensions (WxHxD)</b>	550 x 766 x 565 mm	
<b>Cut out required (WxHxD)</b>	521 x 756 x 520 mm	
<b>Weight</b>	28 kg	
<b>Product</b>	<b>Ref. No</b>	
Dometic RM 2355	9105304006	



## DOMETIC RM 4606 - UES SERIES ABSORPTION REFRIGERATOR

UES series absorption refrigerator for 12 volts, 240 volts and gas - Two door model flat doors, 632 mm wide.

- Gas operation 12 V powered ignition, thermostatic control for 240 V, 12 V and gas
- Wide metal mounting flanges for built in application
- Interior LED light

<b>Capacity</b>	Including freezer compartment freezer compartment	approx. 185 L approx. 48 L
<b>Input rating</b>	240 V 12 V Gas	325 W 275 W 20 g/h
<b>Dimensions (WxHxD)</b>	632 x 1385 x 661 mm	
<b>Cut out required (WxHxD)</b>	607 x 1365 x 620 mm	
<b>Weight</b>	56.5 kg	
<b>Product</b>	<b>Ref. No</b>	
Dometic RM 4606	9105306251	



# DOMETIC RM WITH AUTOMATIC ENERGY SELECTION

AES series absorption refrigerator - LP Gas, 12 V & 240 V



12/240 V



Up to 50 °C below ambient temperature



Gas



## DOMETIC RMDX 25 - ABSORPTION REFRIGERATOR

- Optimised tropical cooling unit
- Silent operation
- Mounting flanges for built-in application – no exterior skin
- High style frame less door skins
- Positive door lock handles
- Fresh solid white racks & door shelves
- Flexible shelving system
- Thermostatically controlled twin 12V ventilation fans
- New DC quick connect terminal strip
- New thermal friendly door lock catches

<b>Capacity</b>	total freezer compartment	approx. 190 L approx. 35 L
<b>Input rating</b>	240 V 12 V Gas	250 W 170 W 32.2 g/h
<b>Dimensions [overall ]</b>	W523 x H1245 x D622 mm	
<b>Cut out required</b>	W527 x H1249 x D572 mm	
<b>Weight</b>	41.5 kg	
<b>Product</b>	<b>Ref. No</b>	
DOMETIC RMDX 25	9500001391 9500001392	

## DOMETIC RM SERIES WITH AUTOMATIC ENERGY SELECTION

AES series absorption refrigerator - LP Gas, 12 V & 240 V



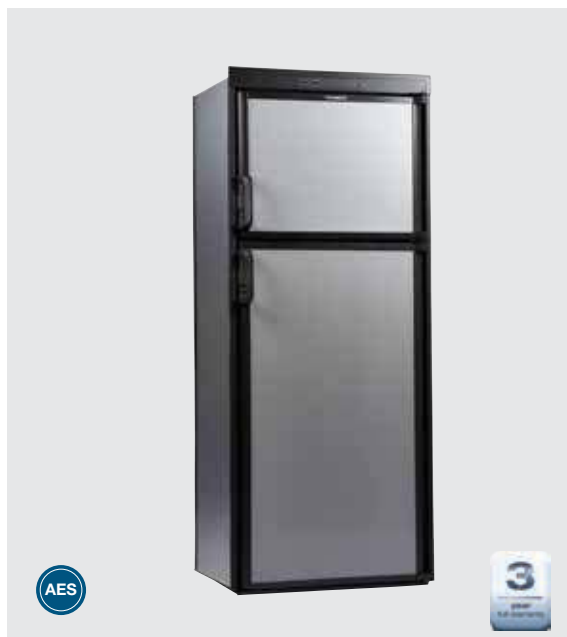
12/240 V



Up to 50 °C below ambient temperature



Gas



## DOMETIC RM 4805 - AUTOMATIC ENERGY SELECTION

AES series absorption refrigerator for 12 V, 240 V and gas - Two door model flat doors, 632 mm wide

- Gas operation with 12 V powered ignition, thermostatic control for 240 V, 12 V and gas
- Wide metal mounting flanges for built-in application - no exterior skin
- Top mounted controls

<b>Capacity</b>	total freezer compartment	approx. 224 L approx. 47 L
<b>Input rating</b>	240 V 12 V Gas	325 W 275 W 20 g/h
<b>Dimensions (WxHxD)</b>	632 x 1544 x 661 mm	
<b>Cut out required</b>	607 x 1522 x 620 mm	
<b>Weight</b>	58 kg	
<b>Product</b>	<b>Ref. No</b>	
DOMETIC RM 4805	9105306024	

# DOMETIC COOLMATIC CRX SERIES

## COMPRESSOR REFRIGERATORS

Premium built-in refrigerator for RVs, Yachts & Boats

Equipped with energy efficient genuine Waeco compressors, the well-proven Dometic CoolMatic refrigerator series provide outstanding energy efficient refrigeration for built-in mobile applications. Their operation is reliable even in tilted positions and high ambient temperatures. They work economically, quietly and are ideal to run with solar panels.

The various models of the CoolMatic series satisfy all mobile fridge requirements. There's a matching refrigerator for every size of vehicle and for every room situation. With a modern stylish exterior, plus well organised and practical interior, the Dometic CoolMatic CRX range are the logical choice for your caravan, motorhome, yacht or boat.

- Patented removable freezer compartment (CRX 50 / 65 / 80 only)
- Energy efficient genuine Waeco compressor with variable motor speed optimisation
- Energy efficient design
- Digital control of the fridge temperature
- Ambient temperature controlled fan speed to reduce noise (at 38 °C fan runs at higher speed)
- Interior LED light
- Variable door mounts & hinges right (standard)/left
- Door with double lock (top/bottom) & dual function (locking/ventilation)
- Standard or flush-mount installation frame accessory options



12/24 V DC and 240 V AC



Temperature range +5 °C fridge to -18 °C freezer



Suitable for vehicle with single battery

### DOMETIC COOLMATIC CRX 50

<b>Capacity</b>	total freezer compartment (removable)	45.6 L 4.4 L
<b>Voltage</b>	12 / 24 V DC and 100-240 V AC	
<b>Temperature range</b>	Freezer: -15 °C to -5 °C, Fresh: 3 °C to 12 °C, rapid cooling (without freezer): min. -6 °C ± 2 °C	
<b>Power Input (AC 230 V)</b>	approx. 40 W	
<b>Power consumption (DC 12 V)</b>	2.0 Ah/h (@12 V, setting 3, 32 °C ambient temperature)	
<b>Insulation</b>	CFC-free polyurethane foam	
<b>System</b>	Fully hermetic compressor with integrated control electronics, low-voltage protection, electronic fuse/automatic reverse pole protection, one NTC sensor in the fridge, fin condenser, integrated evaporator	
<b>Material</b>	Stainless steel fittings, plastic interior, plastic door frame, vinyl coated steel door panel, body with coated metal frame	
<b>Colour</b>	Body: black, Door frame: silver, Door panel: matt-silver (brushed stainless steel appearance)	
<b>Dimensions (WxHxD)</b>	380 x 534 x 500 mm	
<b>Recess required (WxH)</b>	390 x 544 mm	
<b>Front cut-out &amp; depth std. frame (WxHxD)</b>	384 x 536 x 497 mm	
<b>Front cut-out &amp; depth flush frame (WxHxD)</b>	406 x 536 x 550 mm	
<b>Weight</b>	17 kg	
	<b>Product</b>	<b>Ref. No</b>
	CoolMatic CRX 50	9105306157
<b>Optional</b>	Standard installation frame for CRX 50	9105306405
	Flush-mount installation frame for CRX 50	9105306410



## DOMETIC COOLMATIC CRX 65



<b>Capacity</b>	total	57 L
	freezer compartment (removable)	7 L
<b>Voltage</b>	12 / 24 V DC and 100-240 V AC	
<b>Power Input (AC 230 V)</b>	approx. 45 W	
<b>Power consumption (DC 12 V)</b>	1.7 Ah/h (@12 V, setting 3, 32 °C ambient temperature)	
<b>Insulation</b>	CFC-free polyurethane foam	
<b>System</b>	Fully hermetic compressor with integrated control electronics, low-voltage protection, electronic fuse/automatic reverse pole protection, one NTC sensor in the fridge, fin condenser, integrated evaporator	
<b>Material</b>	Stainless steel fittings, plastic interior, plastic door frame, vinyl coated steel door panel, body with coated metal frame	
<b>Colour</b>	Body: black, door frame: silver, door panel: matt-silver (brushed stainless steel appearance)	
<b>Dimensions (WxHxD)</b>	448 x 525 x 545 mm	
<b>Recess required (WxH)</b>	458 x 535 mm	
<b>Front cut-out &amp; depth std. frame (WxHxD)</b>	452 x 527 x 542 mm	
<b>Front cut-out &amp; depth flush frame (WxHxD)</b>	474 x 527 x 595 mm	
<b>Weight</b>	19 kg	
	<b>Product</b>	<b>Ref. No</b>
	CoolMatic CRX 65	9105306175
<b>Optional</b>	Standard installation frame for CRX 65 Flush-mount installation frame for CRX 65	9105306406 9105306411

## DOMETIC COOLMATIC CRX 80



<b>Capacity</b>	total	78 L
	freezer compartment (removable)	7.5 L
<b>Voltage</b>	12 / 24 V DC and 100-240 V AC	
<b>Power Input (AC 230 V)</b>	approx. 48 W	
<b>Power consumption (DC 12 V)</b>	2.0 Ah/h (@12 V, setting 3, 32 °C ambient temperature)	
<b>Insulation</b>	CFC-free polyurethane foam	
<b>System</b>	Fully hermetic compressor with integrated control electronics, low-voltage protection, electronic fuse/automatic reverse pole protection, one NTC sensor in the fridge, fin condenser, integrated evaporator	
<b>Material</b>	Stainless steel fittings, plastic interior, plastic door frame, vinyl coated steel door panel, body with coated metal frame	
<b>Colour</b>	Body: black, door frame: silver, door panel: matt-silver (brushed stainless steel appearance)	
<b>Dimensions (WxHxD)</b>	475 x 640 x 528 mm	
<b>Recess required (WxH)</b>	485 x 650 mm	
<b>Front cut-out &amp; depth std. frame (WxHxD)</b>	479 x 642 x 525 mm	
<b>Front cut-out &amp; depth flush frame (WxHxD)</b>	501 x 642 x 578 mm	
<b>Weight</b>	21 kg	
	<b>Product</b>	<b>Ref. No</b>
	CoolMatic CRX 80	9105306176
<b>Optional</b>	Standard installation frame for CRX1 80 Flush-mount installation frame for CRX 80	9105306407 9105306412

## DOMETIC COOLMATIC CRX 110



<b>Capacity</b>	total freezer compartment	107 L 9.5 L
<b>Voltage</b>	12 / 24 V DC and 100-240 V AC	
<b>Power Input (AC 230 V)</b>	approx. 50 W	
<b>Power consumption (DC 12 V)</b>	2.0 Ah/h (@12 V, setting 3, 32 °C ambient temperature)	
<b>Insulation</b>	CFC-free polyurethane foam	
<b>System</b>	Fully hermetic compressor with integrated control electronics, low-voltage protection, electronic fuse/automatic reverse pole protection, one NTC sensor in the fridge, fin condenser, integrated evaporator	
<b>Material</b>	Stainless steel fittings, plastic interior, plastic door frame, vinyl coated steel door panel, body with coated metal frame	
<b>Colour</b>	Body: black, door frame: silver, door panel: matt-silver (brushed stainless steel appearance)	
<b>Dimensions (WxHxD)</b>	520 x 745 x 558 mm	
<b>Recess required (WxH)</b>	530 x 755 mm	
<b>Front cut-out &amp; depth std. frame (WxHxD)</b>	524 x 747 x 555 mm	
<b>Front cut-out &amp; depth flush frame (WxHxD)</b>	546 x 747 x 608 mm	
<b>Weight</b>	28 kg	
	<b>Product</b>	<b>Ref. No</b>
	CoolMatic CRX 110	9105306265
<b>Optional</b>	Standard installation frame for CRX 110 Flush-mount installation frame for CRX 110	9105306408 9105306413

## DOMETIC COOLMATIC CRX 140



<b>Capacity</b>	total freezer compartment	135 L 11 L
<b>Voltage</b>	12 / 24 V DC and 100-240 V AC	
<b>Power Input (AC 230 V)</b>	approx. 65 W	
<b>Power consumption (DC 12 V)</b>	2.0 Ah/h (@12 V, setting 3, 32 °C ambient temperature)	
<b>Insulation</b>	CFC-free polyurethane foam	
<b>System</b>	Fully hermetic compressor with integrated control electronics, low-voltage protection, electronic fuse/automatic reverse pole protection, one NTC sensor in the fridge, fin condenser, integrated evaporator	
<b>Material</b>	Stainless steel fittings, plastic interior, plastic door frame, vinyl coated steel door panel, body with coated metal frame	
<b>Colour</b>	Body: black, door frame: silver, door panel: matt-silver (brushed stainless steel appearance)	
<b>Dimensions (WxHxD)</b>	525 x 812 x 620 mm	
<b>Recess required (WxH)</b>	550 x 825 mm	
<b>Front cut-out &amp; depth std. frame (WxHxD)</b>	529 x 814 x 617 mm	
<b>Front cut-out &amp; depth flush frame (WxHxD)</b>	551 x 814 x 670 mm	
<b>Weight</b>	31 kg	
	<b>Product</b>	<b>Ref. No</b>
	CoolMatic CRX 140	9105306266
<b>Optional</b>	Standard installation frame for CRX 140 Flush-mount installation frame for CRX 140	9105306409 9105306414

# DOMETIC COOLMATIC RPD SERIES COMPRESSOR REFRIGERATORS

Large 2-door refrigerators for motorhomes, caravans and boats

- Comes standard with flush-mount frame
- 4 safety shelves - 2 height adjustable, storage shelf in freezer
- Hinge conversion kit supplied
- 2 separate doors
- Crisper drawers
- Door storage bins
- Interior light



12/24 V DC and 240 V AC



Refrigerator & freezer



Suitable for solar operation

## DOMETIC COOLMATIC RPD 190

Large 2-door refrigerator for motorhomes, caravans and boats.



<b>Capacity</b>	total 188 L freezer compartment 44 L
<b>Voltage</b>	12 / 24 V DC and 100 - 240 V AC
<b>Power input (AC 230 V)</b>	Approx. 70 W
<b>Power consumption (DC 12 V)</b>	3.1 Ah/h (@12 V, 3 °C refrigerator, 32 °C ambient temperature)
<b>Insulation</b>	CFC-free polyurethane foam
<b>Material</b>	Body and doors in sheet steel, interior liner high impact polystyrene
<b>Colour</b>	Black / Silver
<b>Dimensions (WxHxD)</b>	633 x 1451 x 580 mm
<b>Cut out required (WxH)</b>	(610 - 620) x (1422 - 1432)
<b>Weight</b>	approx. 44 kg
<b>Product</b>	<b>Ref. No</b>
CoolMatic RPD 190	9105306093

## DOMETIC COOLMATIC RPD 218

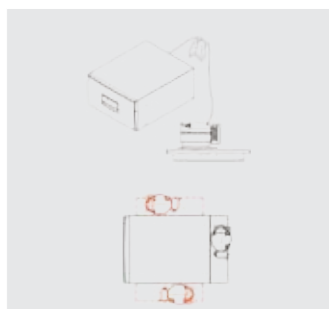
Large 2-door refrigerator for motorhomes, caravans and boats.



<b>Capacity</b>	total 216 L freezer compartment 44 L
<b>Voltage</b>	12 / 24 V DC and 100 - 240 V AC
<b>Power input (AC 230 V)</b>	Approx. 70 W
<b>Power consumption (DC 12 V)</b>	3.4 Ah/h (@12 V, 3 °C refrigerator, 32 °C ambient temperature)
<b>Insulation</b>	CFC-free polyurethane foam
<b>Material</b>	Body and doors in sheet steel, interior liner high impact polystyrene
<b>Colour</b>	Black / Silver
<b>Dimensions (WxHxD)</b>	633 x 1607 x 580 mm
<b>Cut out required (WxH)</b>	(610 - 620) x (1580 - 1590)
<b>Weight</b>	approx. 45 kg
<b>Product</b>	<b>Ref. No</b>
CoolMatic RPD 218	9105306095

# DOMETIC COOLMATIC COMPRESSOR DRAWER FRIDGES

Smart space saving solutions



## DOMETIC COOLMATIC CD 30

Smart inside or outside drawer fridge for any RV, boat or truck.

- A smart solution in confined spaces: the cooling unit can be fitted separately.
- Mounting brackets included

<b>Capacity</b>	approx. 30 L
<b>Voltage</b>	12 / 24 V DC
<b>Average power consumption</b>	40 W
<b>Average running time</b>	20% at 20 °C ambient temperature 40% at 32 °C ambient temperature
<b>Materials</b>	Sturdy metal housing with injection moulded parts, metal slide system, metal latches
<b>Dimensions (WxHxD)</b>	440 x 250 x 560 (D730 with door) mm
<b>Weight</b>	approx. 18 kg
<b>Product</b>	<b>Ref. No</b>
CoolMatic CD 30	9105330083

## DOMETIC COOLMATIC CRD 50 FRIDGE/FREEZER

Refrigerator with freezer compartment, ideal for truck, RV and marine applications

- Removable freezer
- Drawer opening
- Black drawer front (door)

<b>Capacity</b>	total with freezer compartment fitted freezer compartment total (refrigerator) with freezer compartment removed	approx. 45 L approx. 6 L approx. 47 L
<b>Voltage</b>	12 / 24 V DC and 100 - 240 V AC	
<b>Average power consumption</b>	40 W	
<b>Material</b>	Body: Core flute outer, plastic interior Interior / Door frame: Plastic	
<b>Fittings</b>	Black / Silver	
<b>Dimensions (WxHxD)</b>	380 x 534 x 500 mm	
<b>Weight</b>	20 kg	
<b>Product</b>	<b>Ref. No</b>	
CoolMatic CRD-50	9105305790	



Dometic Australia Pty. Ltd.  
1 John Duncan Court  
Varsity Lakes QLD 4227  
1800 21 21 21  
[dometic.com](http://dometic.com)

 **DOMETIC**