

SkyView

Art. 1388

Content

Table of contents

Ordering Details

Technical Drawing

Versions

Spare Parts Glazing Panel spindle execution

Spare Parts Glazing Panel lever execution

Spare Parts Exterior Frame

Spare Parts Interior Frame

Ordering Details SkyView

Art. 1388

Ordering size: Roof Cut Out mm (Length x Width x Roof Radius)

Wall Thickness: in mm (25 - 60 mm*)

Colour:	Interior Frame	Pleated Blackout	Fly Net
<input type="checkbox"/>	RAL 9001 / cream-white	alu beige	black, pleated
<input type="checkbox"/>	RAL 9001 / cream-white	alu grey	black, pleated

Glazing Panel: acrylic, double glazed, grey GR 013

- Lightning: without lightning
 with lightning - 12 Volt / 10 Watt halogen lighting *

Part no. Version:		
<input type="checkbox"/> crank version (lift mechanik)	
<input type="checkbox"/> crank version (spindle mechanik)	
<input type="checkbox"/> Electrical version	
<input type="checkbox"/> for manufacturers with assembly parts (industrial packaging)	
<input type="checkbox"/> For manufacturers without assembly parts (industrial packaging)	

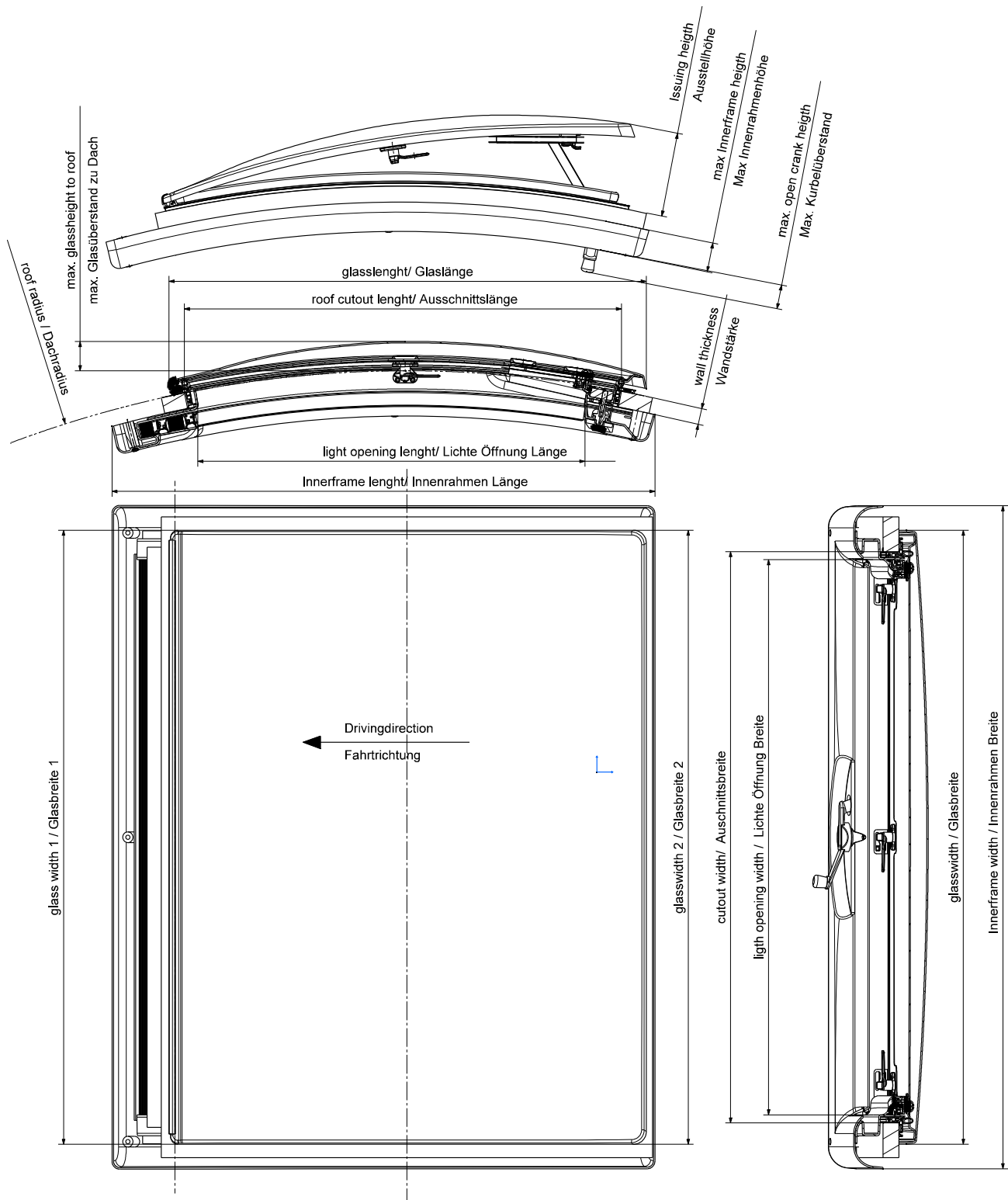
Customer:

Remark:

Signature: Date:

* version depending

Technical Drawing SkyView



Versions/ Versionen SkyView

Skyview 4/8
29.4 Versions.DOC
DOK 1130 / 100108

Aperture/Ausschnitt					
Version	Lenght/Länge	Width/Breite	Radius 1	Radius 2	Form
1	645	650	2168	-	Trapezoid/ Trapez
2	629	489	1175	-	Trapezoid/ Trapez
3	1303	500	3500	-	Rectangle/ Rechteck
4	1299	600	2260	-	Rectangle/ Rechteck
5	820	1070	2130	-	Rectangle/ Rechteck
6	1165	700	3000	13000	Shaped/ Bombiert
7	1300	700	-	-	Shaped/ Bombiert
8	965	960	905	340 Straight/ Gerade	Trapezoid/ Trapez
9	486	1100	2100	-	Trapezoid/ Trapez
10	710	760	2800	5500	Trapezoid/ Trapez

Acrylic panel/ Glasdimension				
Version	Lenght/Länge	Width/Breite1	Width/Breite2	Overlap/Überstand
1	712	715	950	41
2	705	595	867	50
3	1391	609	-	55
4	1383	700	-	52
5	895	1153	-	55
6	1250	850	-	56
7	1376	800	-	78
8	1053	1265	1547	51
9	559	1182	1309	49
10	782	885	1045	49

Version	Interior frame/ Innenrahmen			Overlap of crank/ Kurbelüberstand		Lightning/Leuchte	
	Lenght/ Länge	Width/ Breite	Height/ Höhe	Handle inside/ eingeklappt	Handle outside/ ausgeklappt	Halogen	Neon
1	-	-	-	13	64	-	-
2	820	683	45	6	56	Optional	-
3	1465	668	76	5	56	Optional	Optional
4	1508	768	49	6	57	Optional	-
5	1018	1242	56	-6	55	-	-
6	1552	1124	64	7	58	-	-
7	1492	890	48	6	55	Optional	-
8	1091	1056	41	10	61	-	-
9	674	1460	50	7	56	Optional	-
10	869	920	43	4	55	Optional	-

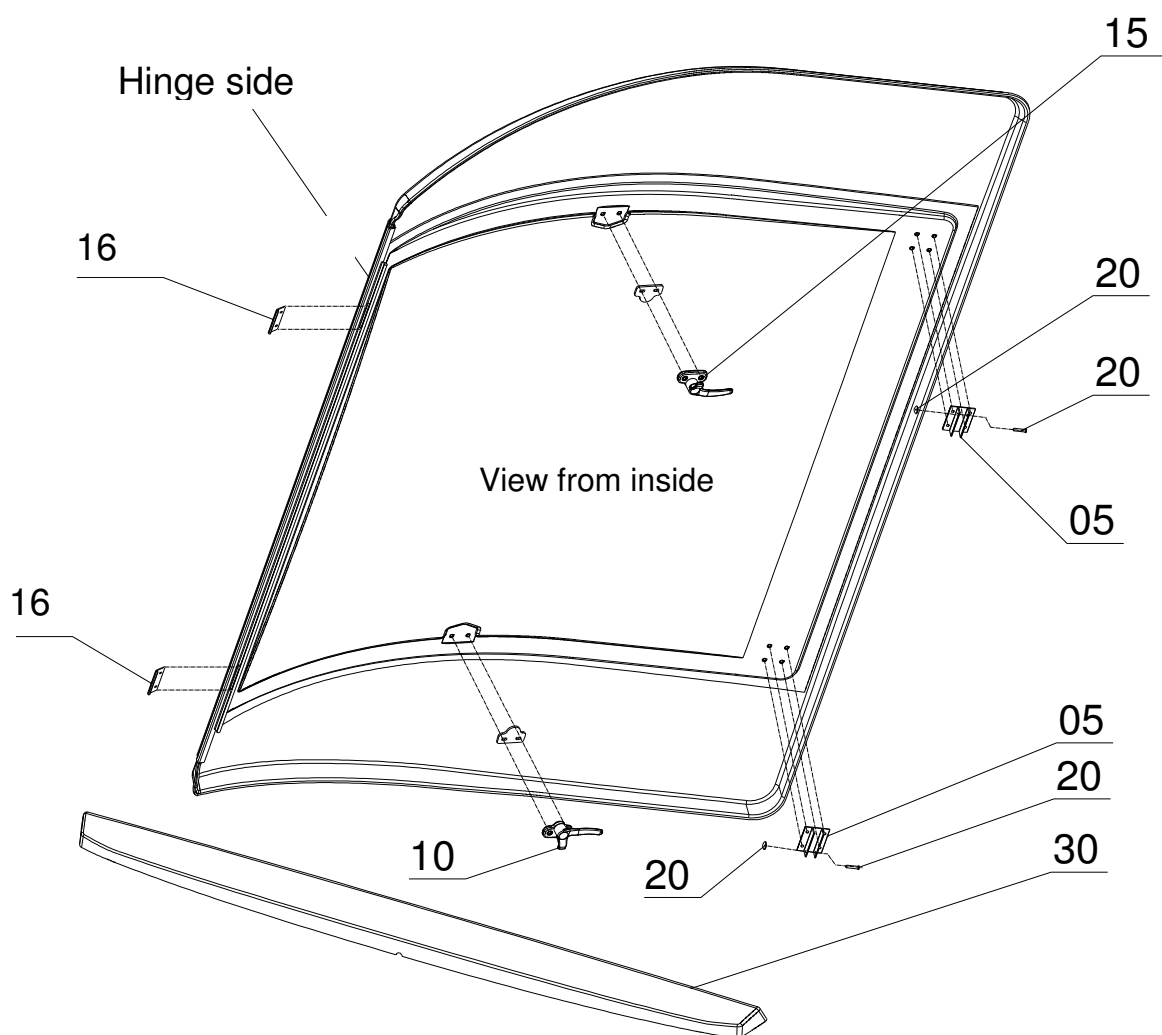
Version	Clearance / lichte Öffnung Width/ Breite	Lenght/ Länge	Roof thickness/ Wandstärke	weight/ Gewicht kg	max. opening/ Ausstellhöhe
1	542	622	28	7	163
2	515	459	28	12	154
3	1067	470	30	18	200
4	1201	570	29	14	200
5	726	1040	30	15	205
6	1081	670	28	15	135
7	1222	671	40	15	168
8	821	930	25	20	205
9	393	1062	26	15	210
10	624	730	33	16	210

Spare Parts SkyView

Glazing Panel (spindel execution)

	Description	Part No.	Pack. Unit
01	Glazing panel without assembly parts	BG 2277	1 pc.
05	Guide plate with screws	BG 2278	1 set
10	Catches with screws and rubber (right hand)	BG 2245	1 pc.
15	Catches with screws and rubber (left hand)	BG 2246	1 pc.
16	Safety plate with screws	BG 2281	1 set
20	Guide plate with screws kpl	BG 2281	1 set
25	Glazing panel cpl. with assembly parts (Pos. 1-20)	BG 2217	1 pc.
30	Front blend	BG 2244	1 pc.

Important – when ordering specify: description, quantity, part no. of pane and dimension (see sticker on pane)

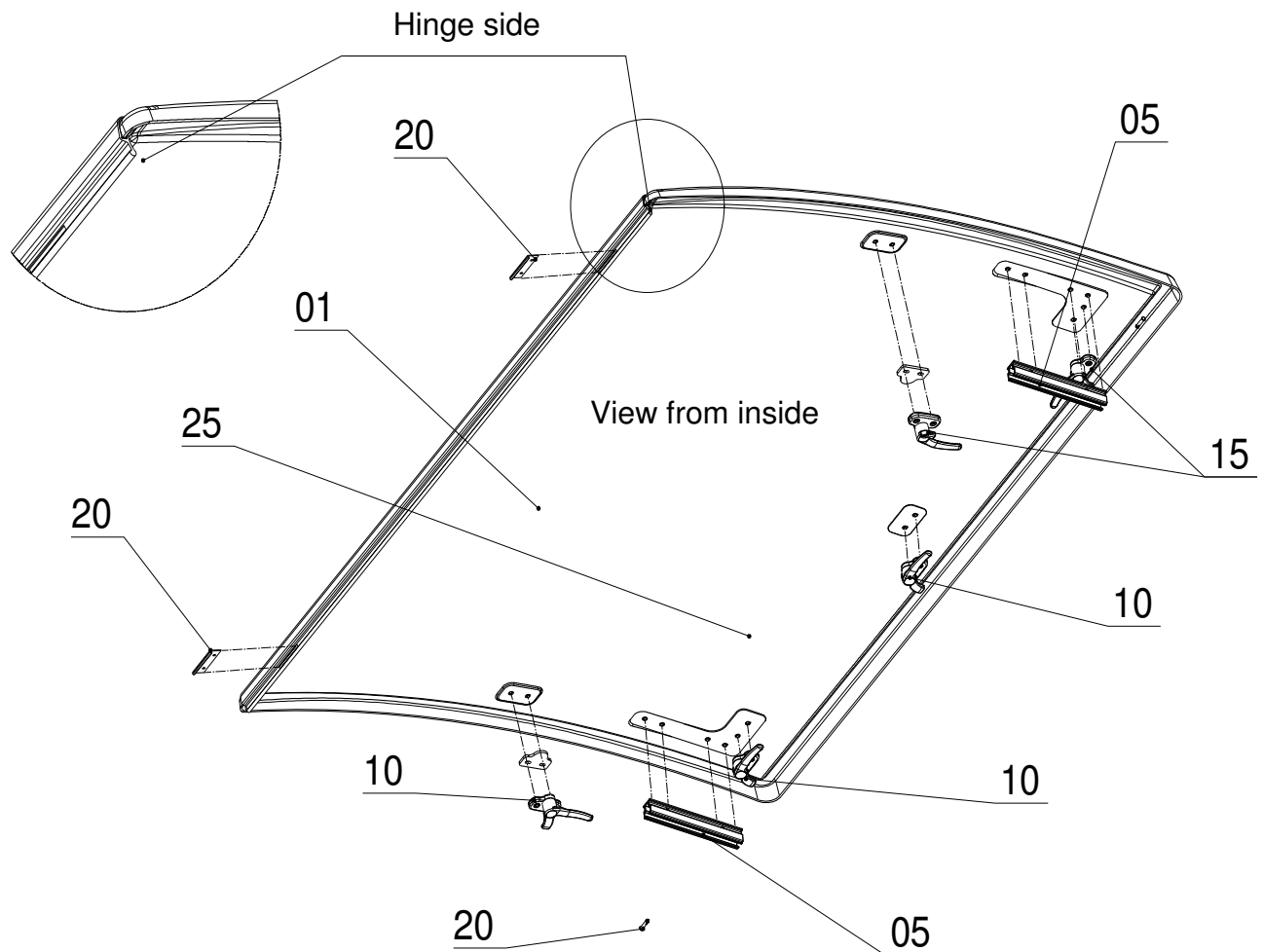


Spare Parts SkyView

Glazing Panel (lift execution)

	Description	Part No.	Pack. Unit
01	Glazing panel without assembly parts	BG1906	1 pc.
05	Guide plate with screws	BG1907	1 set
10	Catches with screws and rubber (right hand)	BG1908	1 pc.
15	Catches with screws and rubber (left hand)	BG1909	1 pc.
20	Safety plate with screws and pins	BG1910	1 set
25	Glazing panel cpl. with assembly parts (01-20)	BG1911	1 pc.

Important – when ordering specify: description, quantity, part no. of pane and dimension (see sticker on pane)

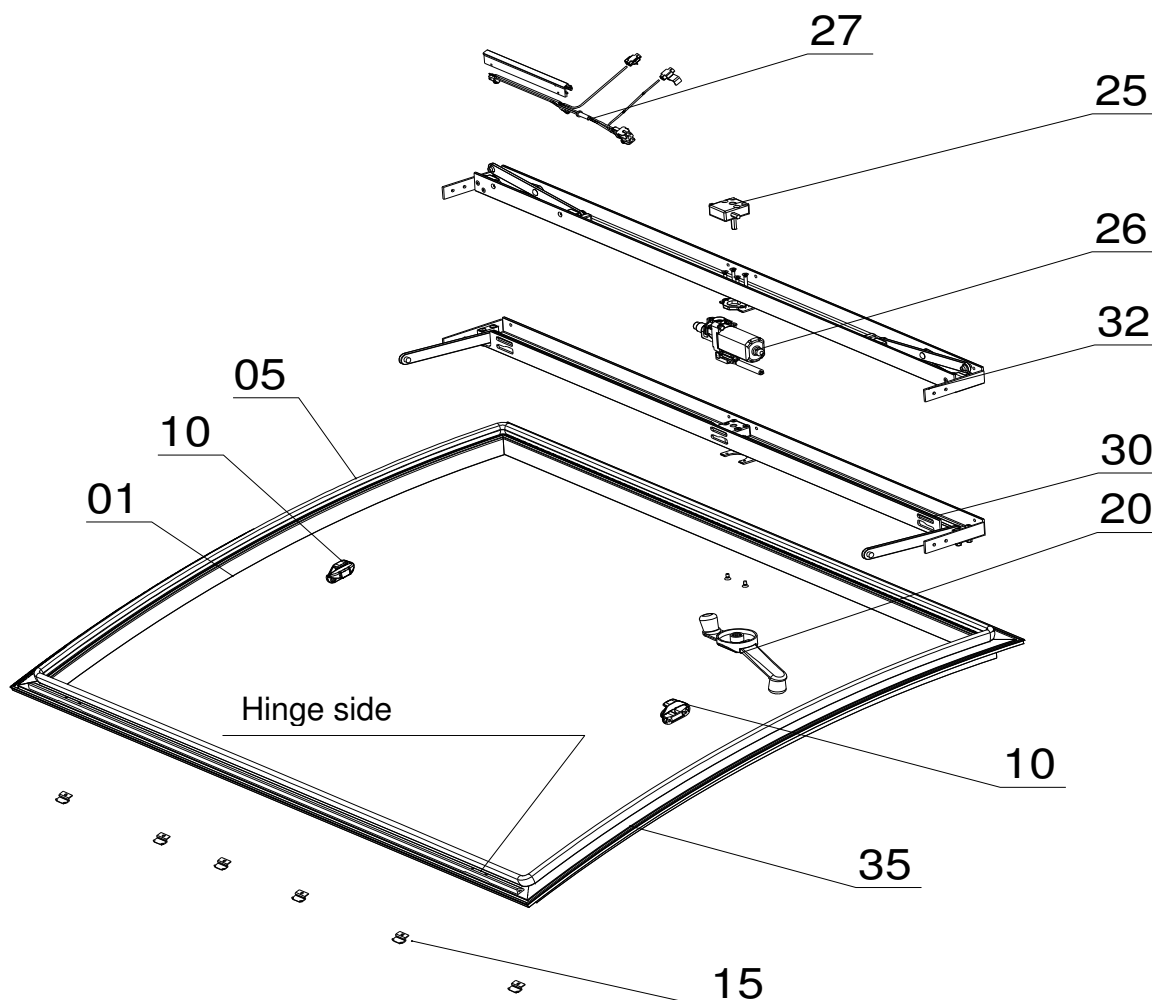


Spare Parts SkyView Exterior Frame

	Description	Part No.	Pack. Unit
01	Exterior frame without assembly parts	BG 1946	1 pc.
05	Rubber profile	BG 1947	5m
10	Catch counterpart with screws	BG 1948	1 set
15	Clamp with screws *	BG 1949	1 set
20	Crank with assembly parts *	BG 1950	1 pc.
25	Gearing mechanism *	BG 1951	1 pc.
26	Electric motor with screws *	BG 2282	1 set
27	Switch support with wiring harness and screws *	BG 2283	1 set
28	Emergency crank *	BG 2286	1 pc.
30	Mechanic cpl. lever execution *	BG 1952	1 pc.
32	Mechanic cpl. spindle execution *	BG 2284	1 pc.
34	Exterior frame cpl. with assembly parts f. spindle (Pos. 1-15,26-27,32)	BG 2285	1 pc.
35	Exterior frame cpl. with assembly parts f. lever (Pos. 01-20, 30)	BG 1953	

Important – when ordering specify: description, quantity, cut out size.

* customer specific



Spare Parts SkyView Interior Frame

	Description	Part. No.	Pack Unit
01	Interior frame without assembly parts	BG 1938	1 pc
05	Halogen lighting 12V/10W *	BG 1939	1 Set
06	Cabel connection	BG 2287	1 pc
10	Cord kpl (ready to install)	BG 1940	1 Satz
15	Fly Net	BG 1941	1 pc
20	Blackout *	BG 1942	1 pc
25	Blackout and Fly net cpl. with end rods	BG 1943	1 pc
30	Interior frame cpl. with assembly parts (Pos1-25)	BG 1944	1 pc
31	Wiring harness trip switch *	BG 2288	1 pc
32	Wiring harness light switch *	BG 2289	1 pc
33	Fluorescent tube 12V/8W *	BG 1590	1 pc
34	Light admission	BG 1269	1 Set
35	Light cover *	BG 2292	1 pc
36	Connect plate	BG 1591	1 pc
37	Cover plug	BG 2294	1 pc
40	Interior frame cpl. with assembly parts(electric) Pos1,10-25,31-37	BG 2295	1pc

Important - when ordering specify: description, quantity, total dimension interior frame.

* customer-specific

