

Absorption refrigerators
3110

PNC	ELC	Brand	Model	Market
921086934	00	Dometic	RM7851L	AD - AT - BA - BE - BG - CH - CY - CZ - DE - DK - ES - FI - FR - GB - GI - GR - HR - HU - IE - IS - IT - LI - LU - MC - MT - NL - NO - PL - PT - RU - SE - SI - SK - SM - TR - UA - YU
921087005	00	Dometic	RM7851L	AD - AT - BA - BE - BG - CH - CY - CZ - DE - DK - ES - FI - FR - GB - GI - GR - HR - HU - IE - IS - IT - LI - LU - MC - MT - NL - NO - PL - PT - RU - SE - SI - SK - SM - TR - UA - YU
921087061	00	Dometic	RM7851L	AD - AT - BA - BE - BG - CH - CY - CZ - DE - DK - ES - FI - FR - GB - GI - GR - HR - HU - IE - IS - IT - LI - LU - MC - MT - NL - NO - PL - PT - RU - SE - SI - SK - SM - TR - UA - YU
921087112	00	Dometic	RM7851L	AD - AT - BA - BE - BG - CH - CY - CZ - DE - DK - ES - FI - FR - GB - GI - GR - HR - HU - IE - IS - IT - LI - LU - MC - MT - NL - NO - PL - PT - RU - SE - SI - SK - SM - TR - UA - YU
921087171	00	Dometic	RM7851L	AD - AT - BA - BE - BG - CH - CY - CZ - DE - DK - ES - FI - FR - GB - GI - GR - HR - HU - IE - IS - IT - LI - LU - MC - MT - NL - NO - PL - PT - RU - SE - SI - SK - SM - TR - UA - YU

Product specification 92108693400 RM7851L

Model RM 7851L

Technical features

Width 525 mm
Height 1245 mm
Length 626 mm
Weight 43 kg

AES Electronic

Temperature 0/5/10/15/20/25 °C
Resistance 27,7/22,29/18,07/14,74/12,11/10 kOhm

Product specification 92108700500 RM7851L

Model RM 7851L

Technical features

Width 525 mm
Height 1245 mm
Length 626 mm
Weight 43 kg

AES Electronic

Temperature 0/5/10/15/20/25 °C
Resistance 27,7/22,29/18,07/14,74/12,11/10 kOhm

Product specification 92108706100 RM7851L

Model RM 7851L

Technical features

Width 525 mm
Height 1245 mm
Length 626 mm
Weight 43 kg

AES Electronic

Temperature 0/5/10/15/20/25 °C
Resistance 27,7/22,29/18,07/14,74/12,11/10 kOhm

Product specification 92108711200 RM7851L

Model RM 7851L

Technical features

Width 525 mm
Height 1245 mm
Length 626 mm
Weight 43 kg

AES Electronic

Temperature 0/5/10/15/20/25 °C
Resistance 27,7/22,29/18,07/14,74/12,11/10 kOhm

Product specification 92108717100 RM7851L

Model RM 7851L

Technical features

Width 525 mm
Height 1245 mm
Length 626 mm
Weight 43 kg

AES Electronic

Temperature 0/5/10/15/20/25 °C
Resistance 27,7/22,29/18,07/14,74/12,11/10 kOhm

Product specification 92108721500 RM7851L

Model RM 7851L

Technical features

Width 525 mm
Height 1245 mm
Length 626 mm
Weight 43 kg

AES Electronic

Temperature 0/5/10/15/20/25 °C
Resistance 27,7/22,29/18,07/14,74/12,11/10 kOhm

Product specification 92108722800 RM7851L

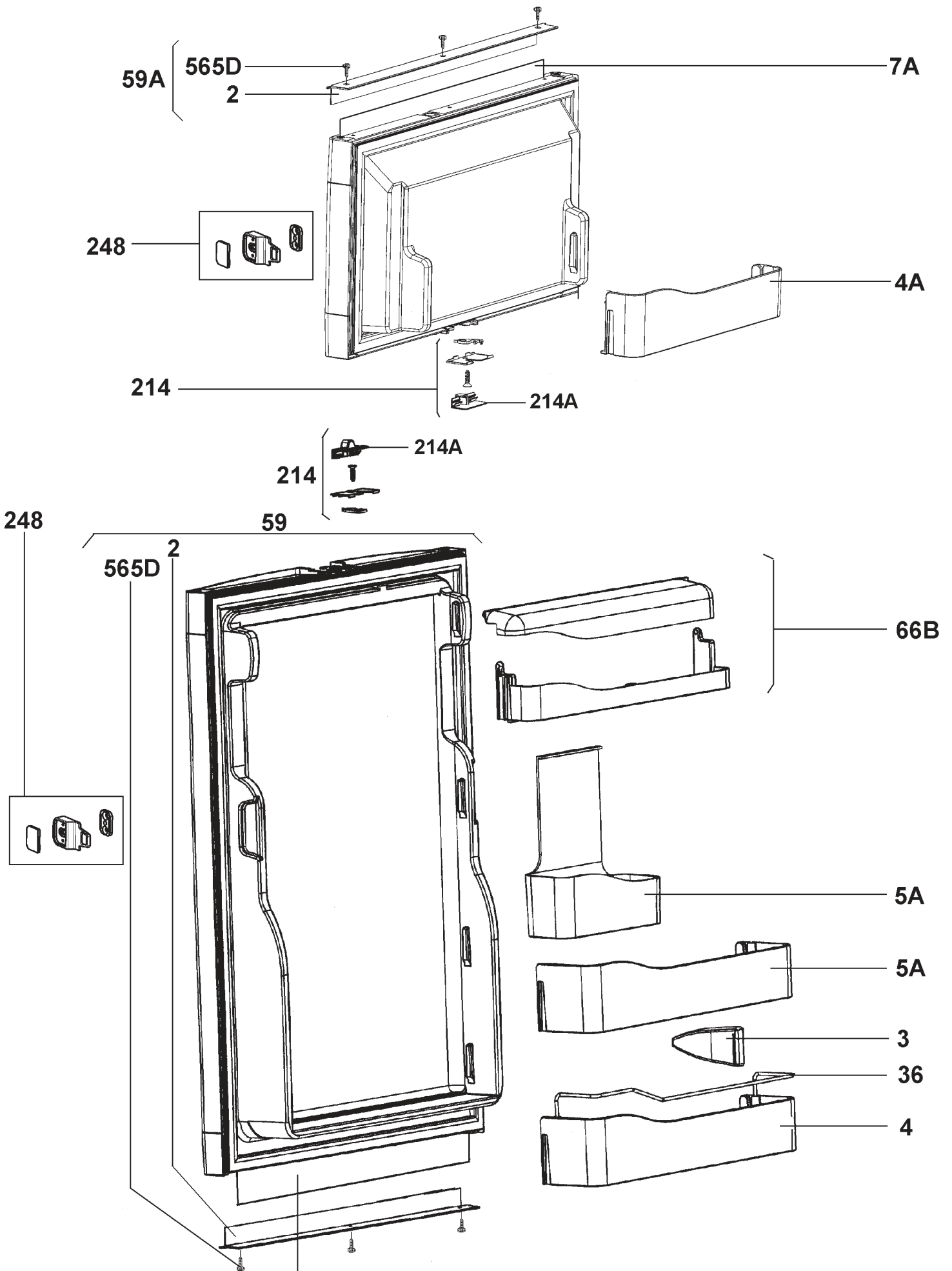
Model RM 7851L

Technical features

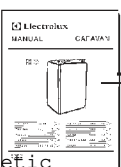
Width 525 mm
Height 1245 mm
Length 626 mm
Weight 43 kg

AES Electronic

Temperature 0/5/10/15/20/25 °C
Resistance 27,7/22,29/18,07/14,74/12,11/10 kOhm



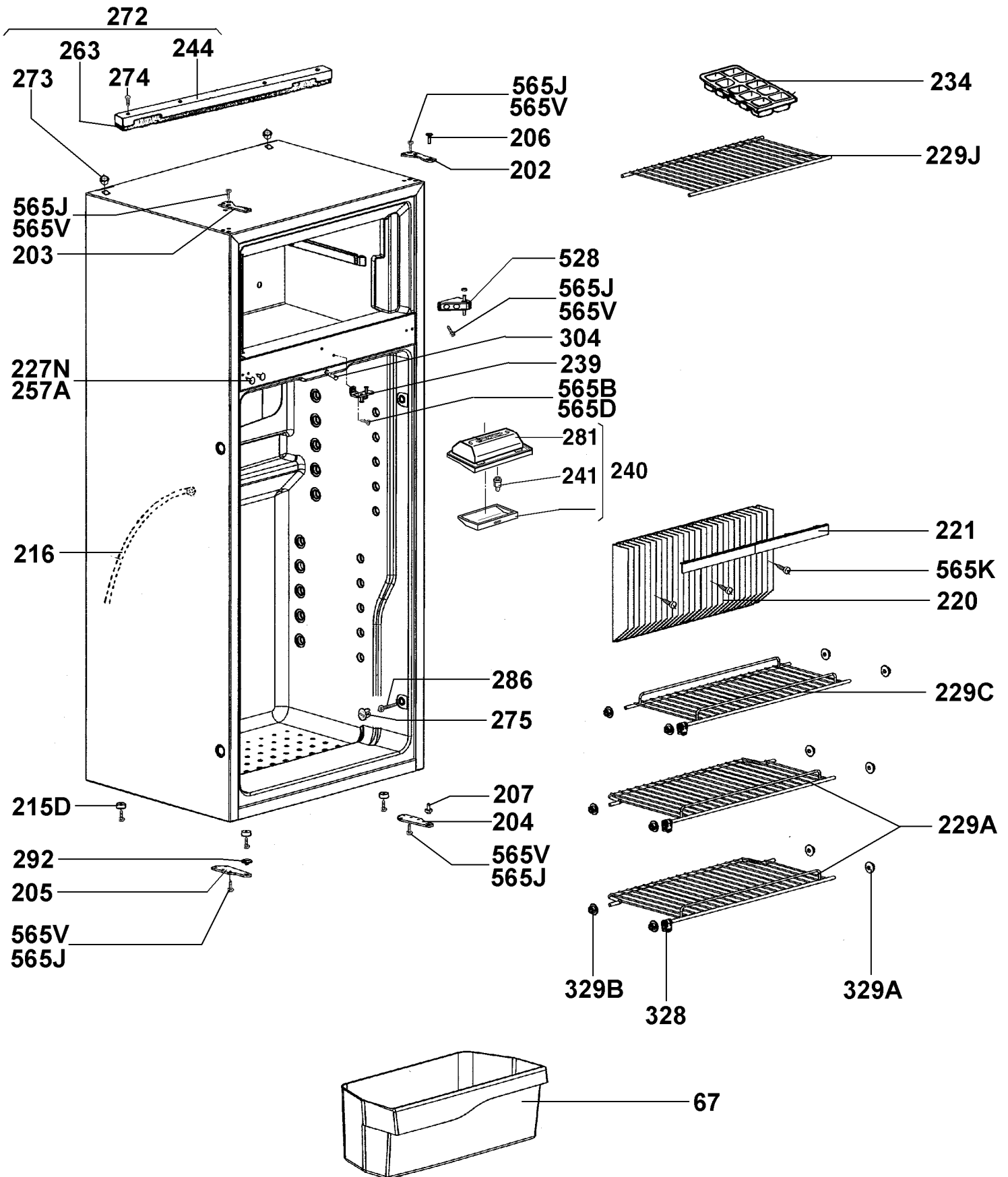
7 Nur die im Text aufgeführten Ersatzteile sind tatsächlich im Produkt!
 Only the spare parts which are listed, are really in the product!



99

Matrix	PNC	ELC	ProdDate	Model
A	921086934	00	20070514	RM7851L
B	921087005	00	20070809	RM7851L
C	921087061	00	20071130	RM7851L
D	921087112	00	20080304	RM7851L
E	921087171	00	20080609	RM7851L
F	921087215	00	20080922	RM7851L
G	921087228	00	20081119	RM7851L

Pos	Part No.	Matrix	Description
002	2412737005	A B C D - F -	Cover ledge,door,light grey,NCS S 4502Y
002	2412737070	- - - - E - G	Cover ledge,RAL 7021
003	2412084002	A B C D E F G	Holder,bottles,blue
004	2412077105	A B C D E F G	Étagère,bottom,papyrus white,L=403,5mm
004A	3850595020	A B C D E F G	Étagère,freezer compartment,white
005A	2412075109	A B C D E F G	Étagère,middle,papyrus white,L=403,5mm
007	2412113728	A - C - - F G	Decoration plate,laminated sheet,silver,2,0x500x868mm
007A	2412113827	A - C - - F G	Decoration plate,laminated sheet,silver,2,0x500x263
036	2412104131	A B C D E F G	Holder,bottles,silver,L=392mm
059	2412384709	A B C D - F -	Door,bent,service,517x885mm
059	2412384774	- - - - E - G	Door,bent,service,RAL 7021, 517x885mm
059A	2412384501	A B C D - F -	Freezer flap door,bent,service
059A	2412384576	- - - - E - G	Freezer flap door,bent,service,RAL 7021
066B	2412382109	A B C D E F G	Étagère,upper,complete,L=403,5mm
099	8226100389	A B - - - -	User manual,RM 7601/5, DE/EN
099	8226100694	- - C - - - G	User manual,RM7XX1/5 Australia
099	8226100454	- - - D E F -	User manual,RM7601/5,DK/FI/NO/SE
214	2412757805	A B C D - F -	Door lock,door,bent,grey
214	2412757870	- - - - E - G	Door lock,complete,RAL 7021
214A	2412883601	A B C D - F -	Slider,door lock,bent,grey
214A	2412883676	- - - - E - G	Slider,door lock,RAL 7021
565D	7296279016	A B C D E F G	Countersunk screw,C 3,5x9,5



Nur die im Text aufgeführten Ersatzteile sind tatsächlich im Produkt!
 Only the spare parts which are listed, are really in the product!

Matrix	PNC	ELC	ProdDate	Model
A	921086934	00	20070514	RM7851L
B	921087005	00	20070809	RM7851L
C	921087061	00	20071130	RM7851L
D	921087112	00	20080304	RM7851L
E	921087171	00	20080609	RM7851L
F	921087215	00	20080922	RM7851L
G	921087228	00	20081119	RM7851L

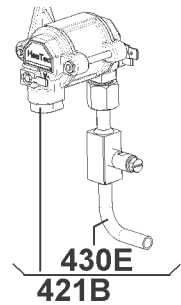
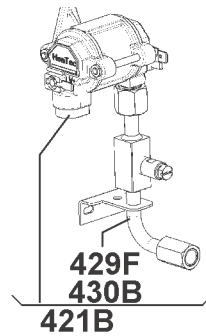
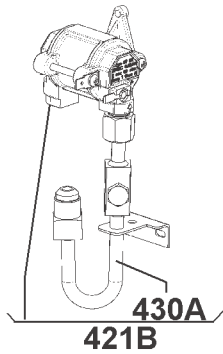
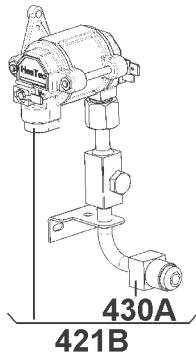
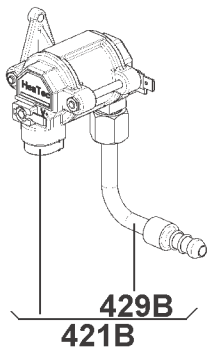
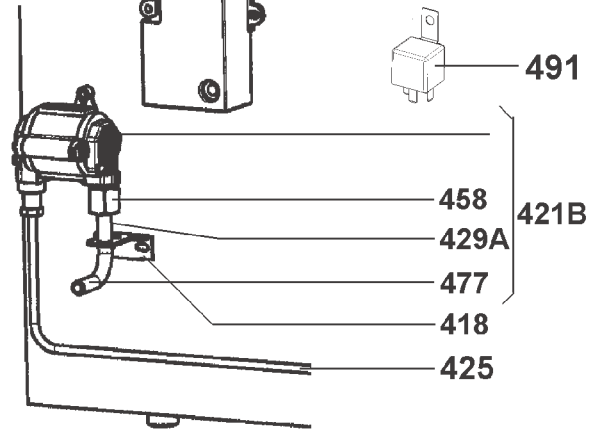
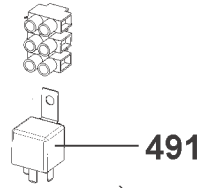
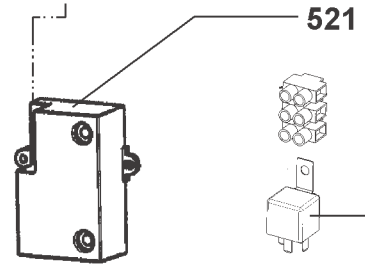
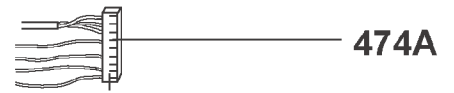
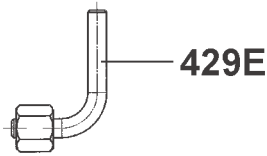
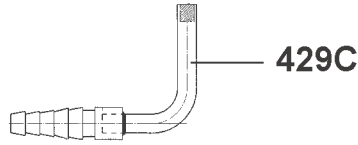
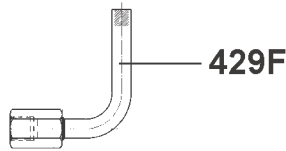
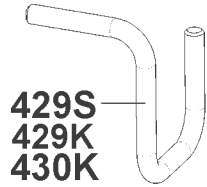
Pos	Part No.	Matrix	Description
067	3850599014	A B C D E F G	Crisper,blue,B/T/H 415x198x156mm
202	2412096204	A B C D E F G	Hinge,upper right,chrome plated
203	2412097202	A B C D E F G	Hinge,upper left,chrome plated
204	2412098101	A B C D E F G	Hinge,lower right,chrome plated
205	2412099109	A B C D E F G	Hinge,lower left,chrome plated
206	2924892009	A B C D E F G	Bolt,hinge,upper,L=17,5mm
207	2926265402	A B C D E F G	Hinge pin,variable
215D	2923297028	A B C D E F G	Foot,complete,black,D=18x8mm
216	2923346205	A B C D E F G	Drain hose,transparent,D=8/1xcoil
220	2412948008	A B C D E F G	Rear-evaporator,complete
221	2926234242	A B C D E F G	Cover,rear-evaporator,white
227N	2926535101	A B C D E F G	Lens screw,black,C3,9x13
229A	2412943306	A B C D E F G	Grid,bottom,zinc-plated,264x442mm
229C	2412943405	A B C D E F G	Grid,upper,zinc-plated,221x442mm
229J	2412943504	A B C D E F G	Grid,zinc-plated,241,5x381mm
234	2951132006	A B C D E F G	Ice tray
239	2412884518	A B C D E F G	Bracket,door lock,cabinet
240	2951641220	A B C D E - -	Lighting,complete,papyrus white,AES
240	2951641428	- - - - - F G	Lighting,complete,LED
241	2951388202	A B C D E - -	Lamp,12V/2W, AC 50Hz
244	2923842013	A B C D E F G	Cover ledge,back,upper,L=522
263	2925065001	A B C D E F G	Insulating strip,cover ledge,30x30x519
272	2923842518	A B C D E F G	Cover ledge,complete,black,L=522mm
273	2926545209	A B C D E F G	Nut,plastic,nature
274	7296350015	A B C D E F G	Countersunk screw,4,2x32
275	2951221031	A B C D E F G	Cover cap,fixing,papyrus white
281	2951643127	A B C D E - -	Reflector,complete,papyrus white
286	2926544004	A B C D E F G	Bolt,Spax, 4x17
292	2412743110	A B C D E F G	Cap,hinge,NCS S 4502-Y GL
304	2951381009	A B C D E F G	Sensor,complete,lighting
328	2412082006	A B C D E F G	Fuse,grating,papyrus white
329A	2412083004	A B C D E F G	Fixing,right,grating
329B	2412083103	A B C D E F G	Fixing,left,grating
528	2412954303	A B C D - F -	Hinge,central,grey
528	2412954378	- - - - E - G	Hinge,central,RAL7021
565B	2926710019	A B C D E F G	Countersunk screw,C 3,9x16
565J	7296342012	A B C D E F G	Screw,ST4,2x13 FZ
565K	2951230008	A B C D E F G	Lens screw,Torx B4,8x19

Exploded view no.: N07601G01
N00012095103

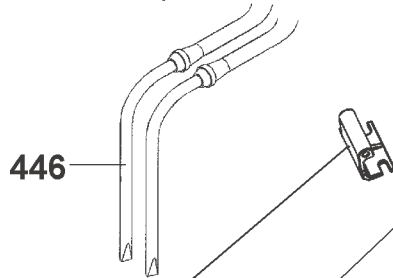
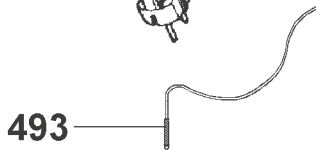
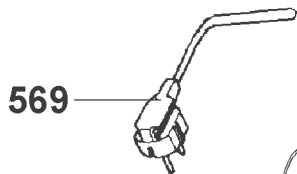
Matrix	PNC	ELC	ProdDate	Model
A	921086934	00	20070514	RM7851L
B	921087005	00	20070809	RM7851L
C	921087061	00	20071130	RM7851L
D	921087112	00	20080304	RM7851L
E	921087171	00	20080609	RM7851L
F	921087215	00	20080922	RM7851L
G	921087228	00	20081119	RM7851L

Pos	Part No.	Matrix	Description
565V	2924417021	A B C D E F G	Countersunk screw,C3,9x13

**GASARMATUR
GAS EQUIPMENT**

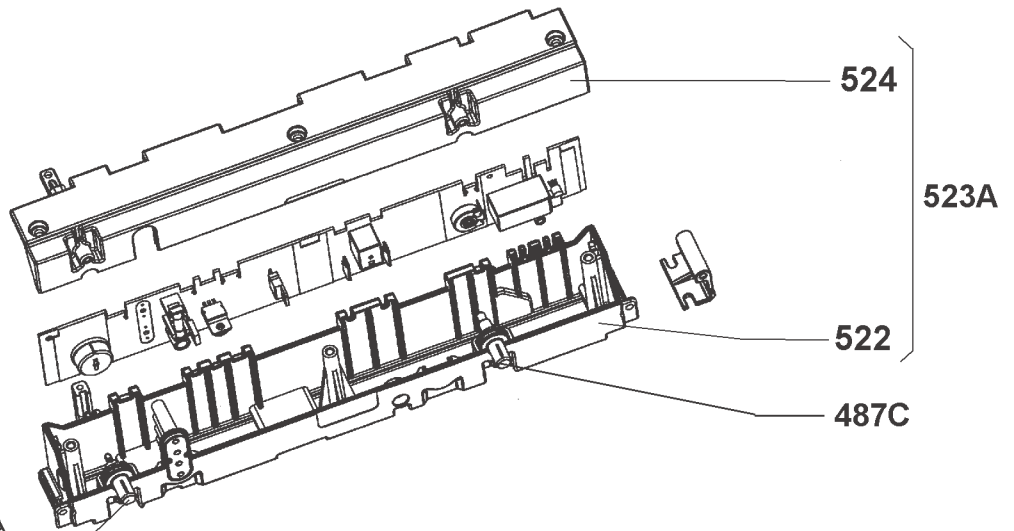


**ELEKTROARMATUR
ELECTRO EQUIPMENT**



515A

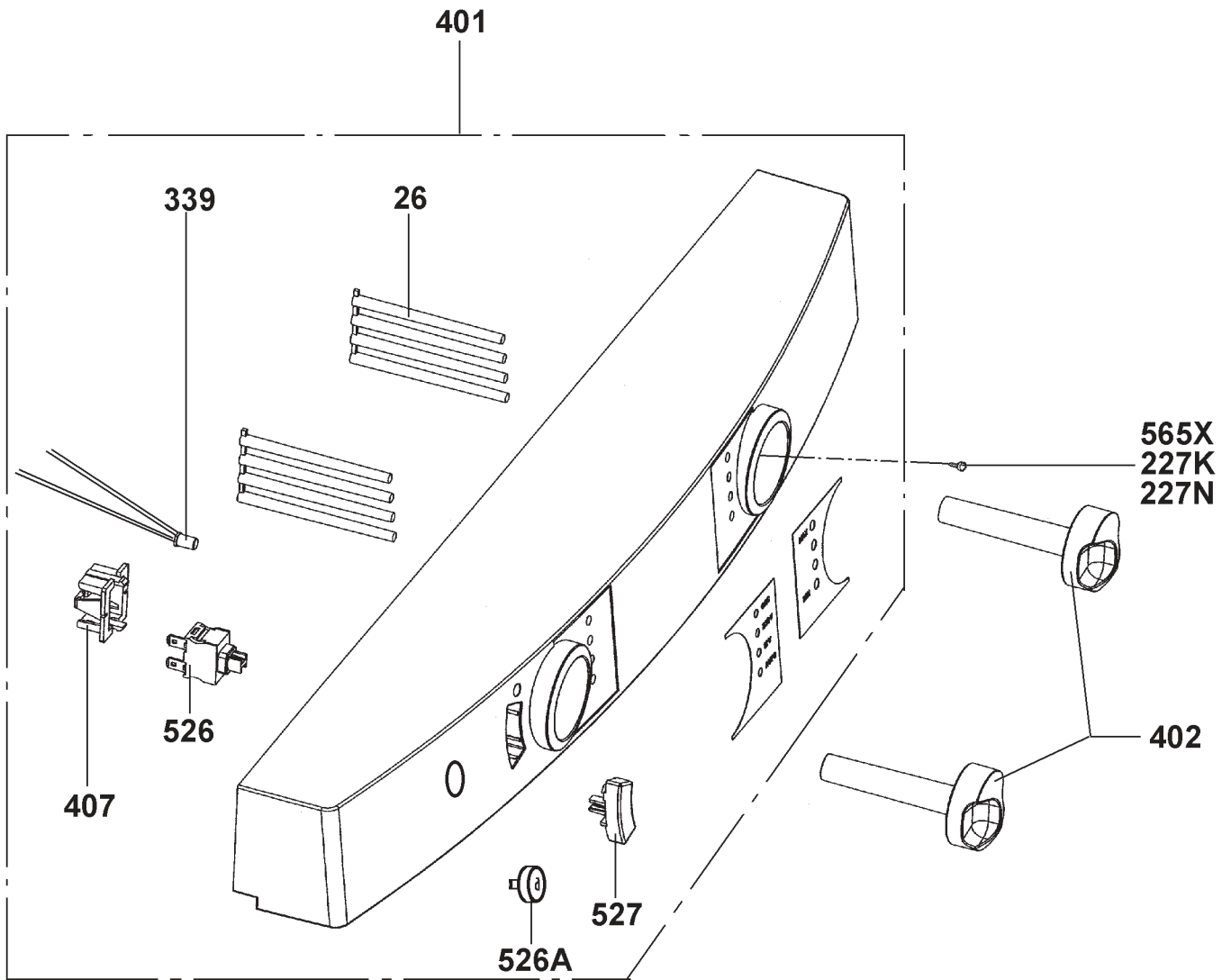
486C



**Nur die im Text aufgeführten Ersatzteile sind tatsächlich im Produkt!
Only the spare parts which are listed, are really in the product!**

Matrix	PNC	ELC	ProdDate	Model
A	921086934	00	20070514	RM7851L
B	921087005	00	20070809	RM7851L
C	921087061	00	20071130	RM7851L
D	921087112	00	20080304	RM7851L
E	921087171	00	20080609	RM7851L
F	921087215	00	20080922	RM7851L
G	921087228	00	20081119	RM7851L

Pos	Part No.	Matrix	Description
-	2412796910	A B C D E F G	Connection wiring,terminal board,terminal board,MES/AE
418	2926202009	A B C D E F G	Bracket,for,gas connection
421B	2412798205	A B - - - - -	Gas valve,HEA TEC GV100
421B	2412798353	- - C - - - G	Gas valve,with,gas connection,Australia
421B	2412798312	- - - D E F -	Gas valve,with,gas connection,D=8/1x80mm
425	2412593903	A B C D E F G	Gas inlet pipe,D=4,75/0,7x507mm
429A	2412423606	A B - D E F -	Gas connection,D=8/1x80mm
430B	2412300861	- - C - - - -	Gas connection,complete,AUSTRALIA
430B	2413986031	- - - - - G	Gas connection,with,union nut,AUSTRALIA
446	2412968105	A B C D E F G	Heater,12V/170W
446	2412966539	A B C - - - G	Heater,240V/190W
446	2412966505	- - - D E F -	Heater,230V/190W
458	2927903100	A B C D E F G	Union nut,M14x1,5
474A	2412796407	A B C D E F G	Connection wiring,burner control device,electronic
477	2923191007	A B C D E F G	Filter,for,gas connection
486C	2412784106	A B - - - - -	Shaft,selector switch,black,MES
486C	2412784304	- - C D E F G	Shaft,selector switch,light grey,MES
487C	2412785004	A B - - - - -	Shaft,temperature,grey
487C	2412785103	- - C D E F G	Shaft,temperature,yellow
491	2952089007	A B C D E F G	Relay,12V, 30A
493	2952248702	A B C D E F G	Temperature probe,complete,L=1450mm
515A	2412786002	A B C D E F G	Fixing bracket,for,electronic
521	2412789105	A B C D E - -	Ignition,service,HEA TEC P810
521	2412789303	- - - - - F G	Burner control device
522	2412769008	A B C D E F G	Cabinet,lower part,electronic
523A	2412771103	A B C D E F G	Electronic,complete,MES, FE104
524	2412770006	A B C D E F G	Cabinet,top part,electronic
569	2951879739	A B - - - - -	Connection wiring,black,13A/3A, L=2500mm
569	2935659736	- - C - - - G	Connection wiring,black,Australia, L=3000mm
569	2106424639	- - - D E - -	Connection wiring,black,CEE, L=2500mm
569	2106424233	- - - - - F -	Connection wiring,black,CEE, L=2000mm

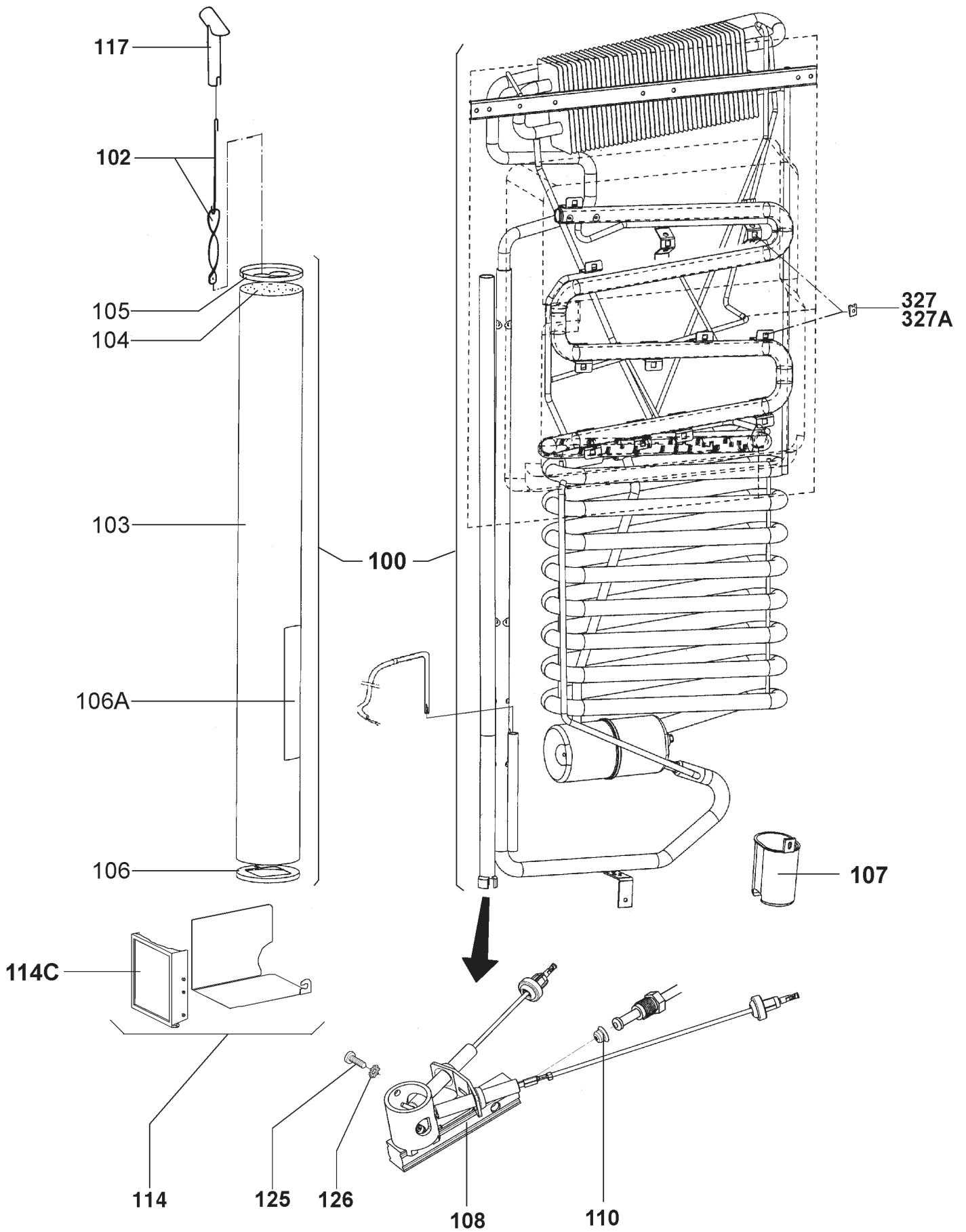


**Nur die im Text aufgeführten Ersatzteile sind tatsächlich im Produkt!
 Only the spare parts which are listed, are really in the product!**

(N7601SO01)

Matrix	PNC	ELC	ProdDate	Model
A	921086934	00	20070514	RM7851L
B	921087005	00	20070809	RM7851L
C	921087061	00	20071130	RM7851L
D	921087112	00	20080304	RM7851L
E	921087171	00	20080609	RM7851L
F	921087215	00	20080922	RM7851L
G	921087228	00	20081119	RM7851L

Pos	Part No.	Matrix	Description
026	2412788511	A B C D E F G	Light conductor,Control panel
339	2412989002	A B C D E F G	Led,complete
401	2412941508	A B C D - F -	Control panel,complete,greyscale,MES
401	2412941573	- - - - E - G	Control panel,bent,complete,Black-greyscale,DOM
402	2412787208	A B C D - F -	Turning knob,greyscale
402	2412787273	- - - - E - G	Turning knob,selector switch,temperature,RAL 7021
407	2412946002	A B C D E F G	Frame,for,Switch
526	2412942001	A B C D E F G	Switch
527	2412947000	A B C D - F -	Cover,Switch,greyscale
527	2412947075	- - - - E - G	Cover,Switch,RAL 7021
565X	2926537016	A B C D E F G	Lens screw,C3,9x13mm

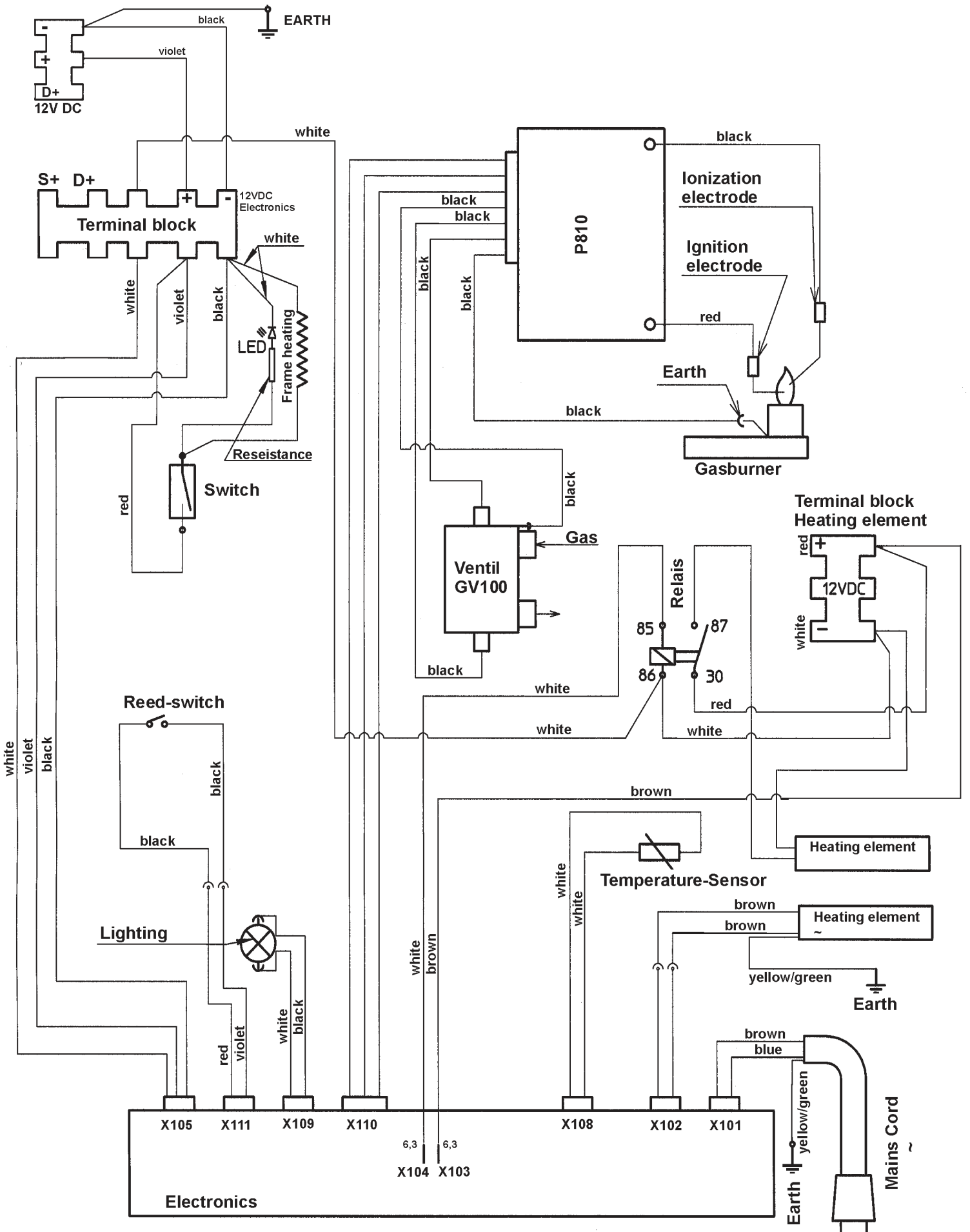


Nur die im Text aufgeführten Ersatzteile sind tatsächlich im Produkt!
 Only the spare parts which are listed, are really in the product!

(N7601AG02)

Matrix	PNC	ELC	ProdDate	Model
A	921086934	00	20070514	RM7851L
B	921087005	00	20070809	RM7851L
C	921087061	00	20071130	RM7851L
D	921087112	00	20080304	RM7851L
E	921087171	00	20080609	RM7851L
F	921087215	00	20080922	RM7851L
G	921087228	00	20081119	RM7851L

Pos	Part No.	Matrix	Description
100	2952976302	A B C D E F G	Cooling unit,service,12V/170W
102	2926212008	A B C D E F G	Flame-indicator cpl.
103	2934036019	A B C D E F G	Mantle,cooker insulation
104	2926680113	A B C D E F G	Cooker insulation,230x480mm
104	2926680139	A B C D E F G	Cooker insulation
105	2924979004	A B C D E F G	Bezel,cooker,mantle
106	2924089002	A B C D E F G	Bezel,bottom,cooker
106A	2933557031	A B C D E F G	Cover,mantle,cooker insulation
107	2923320002	A B C D E F G	Evaporation tray
108	2412802809	A B - - - -	Gas burner,without,nozzle,SERVICE, RM 7XXX
108	2412802817	- - C D E F G	Burner,without,nozzle,Service
110	2922033101	A B C D E F G	Nozzle,gas burner,KZ 16
114	2412559607	A B C D E F G	Kit,Cover,gas burner
114C	2925057107	A B C D E F G	Fixing,Cover,gas burner
117	2952444400	A B C D E F G	T-piece,complete,L=75mm
125	2952435408	A B C D E F G	Lens screw,M4x6
126	2926559036	A B C D E F G	Lock washer,A 4,3
327	2106626001	A B C D E - -	Nut,plate,ST 4,8
327	2106626209	- - - - - F G	Nut,plate,BM ST 4,8
327A	2106626100	- - C D E - -	Nut,plate,BM ST 4,8



(N241217995EN)

N241217995

Anschlusskabel	Main cable
Batterie	Battery
Beleuchtung	Lighting
blau	Blue
braun	Brown
Elektronik	PCB
Erdung	Main earth socket
Gelb-Gruen	Yellow/Green
Heizelement	Heating element
Klemmleiste	Terminal board
LED Modul	LED P.C.B.
Rahmenheizung	Frame heating
Relais	Relay
Rot	Red
Schalter	Switch
Schwarz	Black
Temperaturfühler	Temperature probe
Ventil	Valve
Violett	Violet
Weiss	White
Widerstand	Resistor