



Dometic  
Spare parts list

Absorption refrigerators  
3110

PNC	ELC	Brand	Model	Market
921086545	00	Dometic	RM7401	AU

Dometic Germany  
In der Steinwiese 16  
D-57074 Siegen  
Germany  
Fax +49 271 692322

Publication-No.  
599523849  
2005/11/02  
DES

Caravan refrigerators

**Product specification 92108654500 RM7401**

Model RM 7401

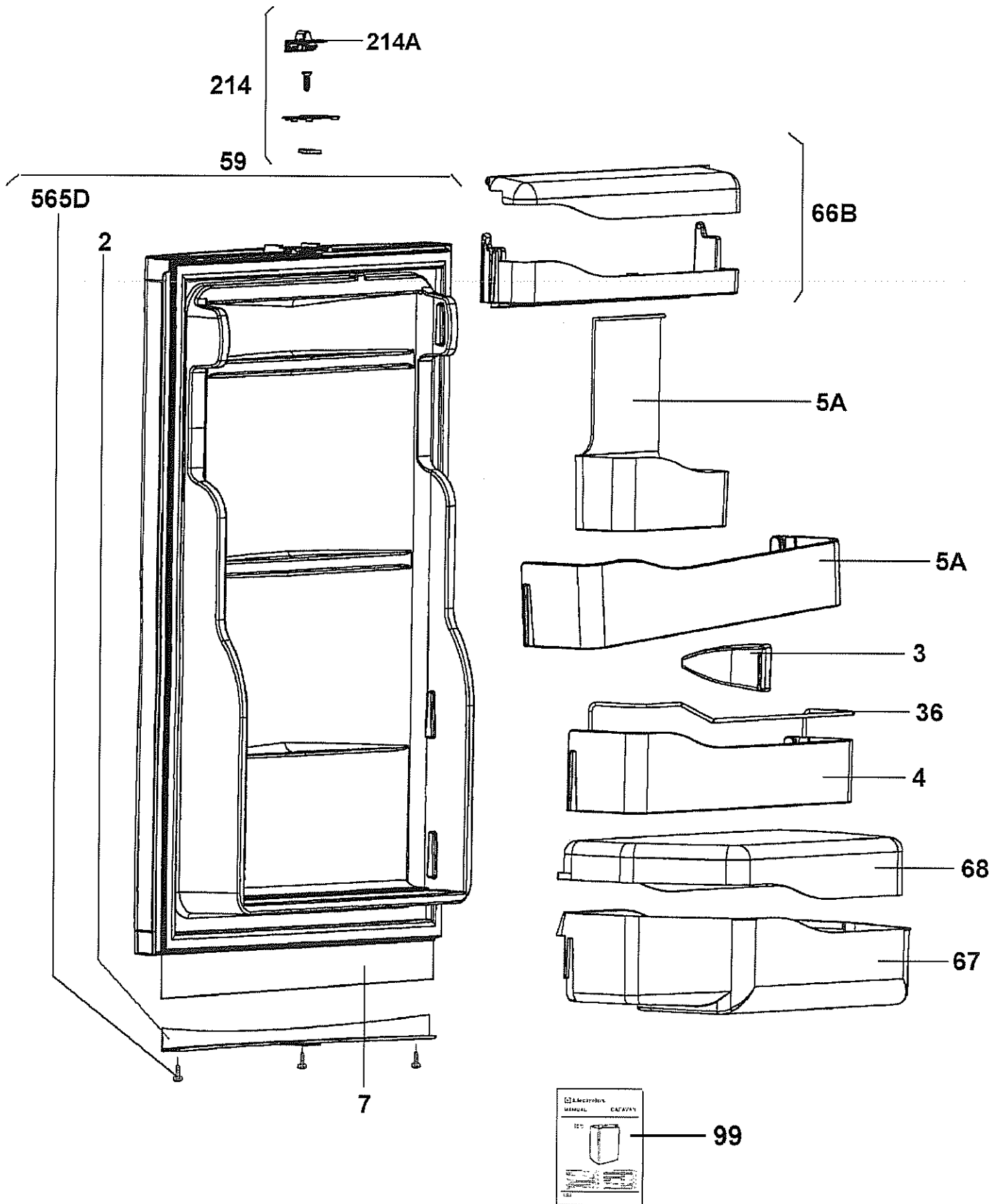
**Technical features**

Width 525 mm  
Height 821 mm  
Length 541 mm  
Weight 29 kg

---

**AES Electronic**

Temperature 0/5/10/15/20/25 °C  
Resistance 27,7/22,29/18,07/14,74/12,11/10 kOhm



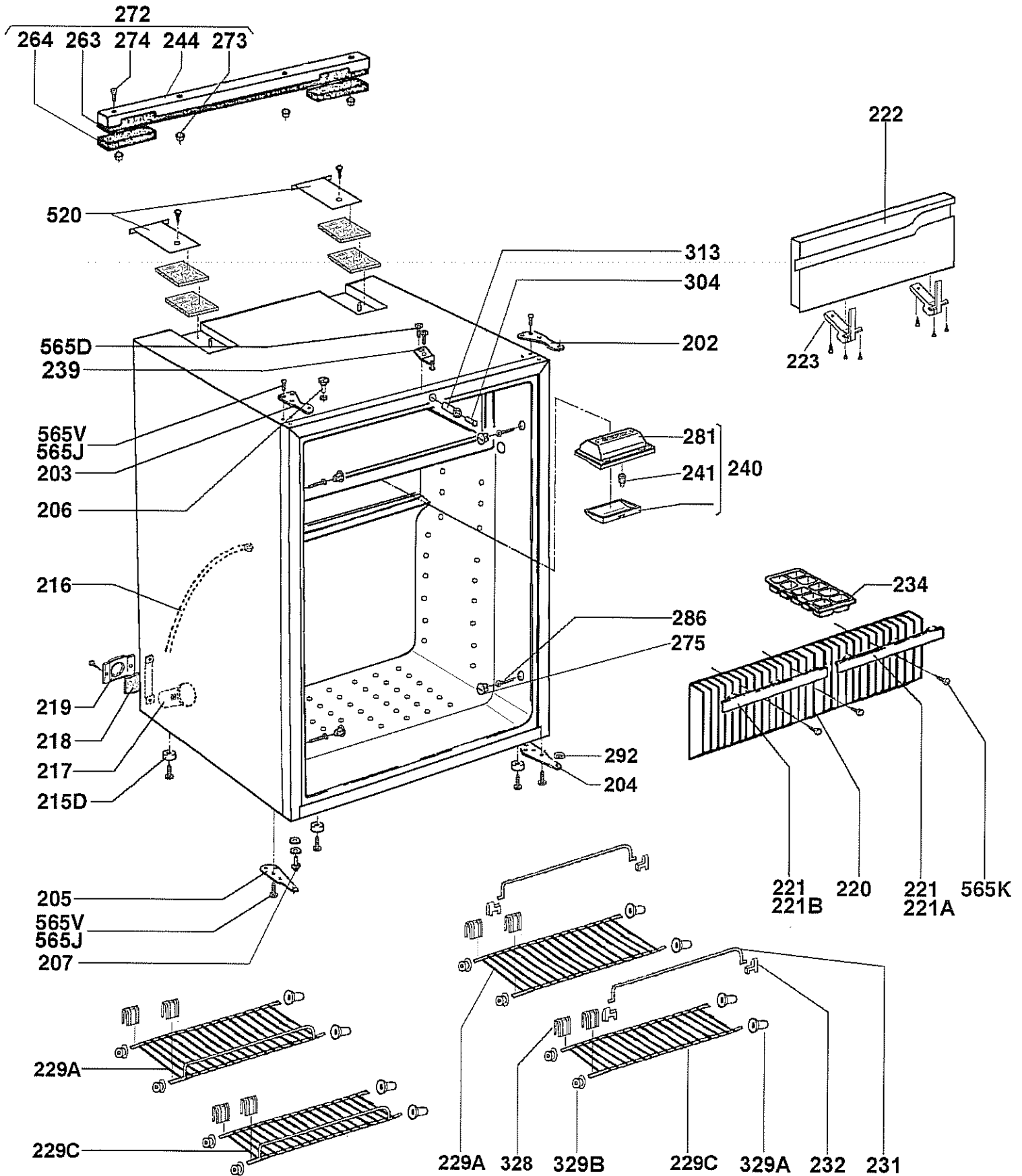
**Nur die im Text aufgeführten Ersatzteile sind tatsächlich im Produkt!**  
**Only the spare parts which are listed, are really in the product!**

(N07390T01)

Exploded view no.: N07390T01  
N00002076395

Matrix	PNC	ELC	ProdDate	Model
A	921086545	00	20050920	RM7401

Pos	Part No.	Matrix	Description
002	2412880003	A	Cover ledge, door, L=517mm
003	2412084002	A	Holder, bottles, blue
004	2412077105	A	Étagère, bottom, papyrus white, L=403,5mm
005A	2412075109	A	Étagère, middle, papyrus white, L=403,5mm
007	2412113215	A	Decoration plate, laminated sheet, silver-grey, U0921,
036	2412104131	A	Holder, bottles, silver, L=392mm
059	2412383701	A	Door, complete, service, 525x758mm
066B	2412382109	A	Étagère, upper, complete, L=403,5mm
067	2412078103	A	Étagère, vegetables, light blue, B/T/H 405x224x103mm
099	8226100520	A	User manual, RM7XXX, AUSTRALIA, EN
214	2412757607	A	Door lock, complete, grey
214A	2412883403	A	Slider, door lock, grey
565D	7296279016	A	Countersunk screw, C 3,5x9,5



Nur die im Text aufgeführten Ersatzteile sind tatsächlich im Produkt!  
 Only the spare parts which are listed, are really in the product!

(N07400G01)

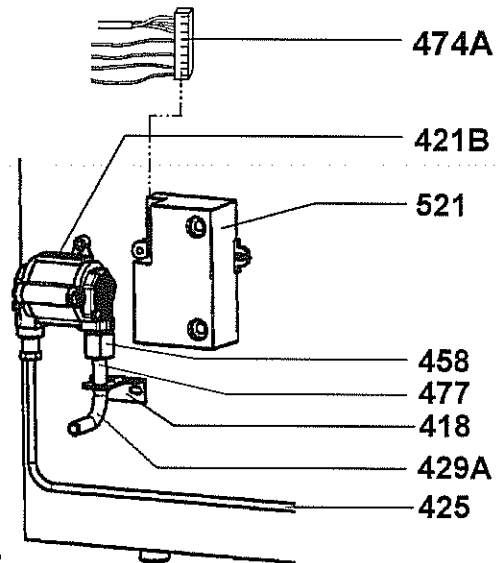
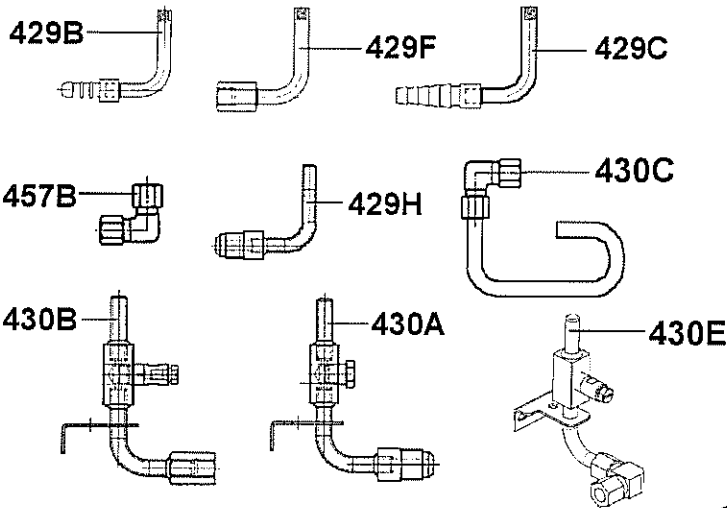
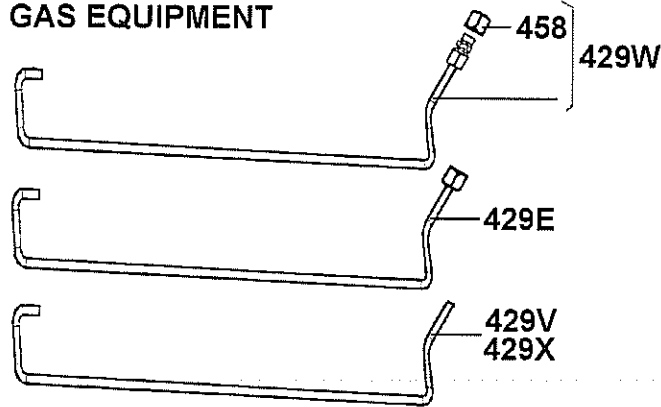
Exploded view no.: N07400G01

N00012076398

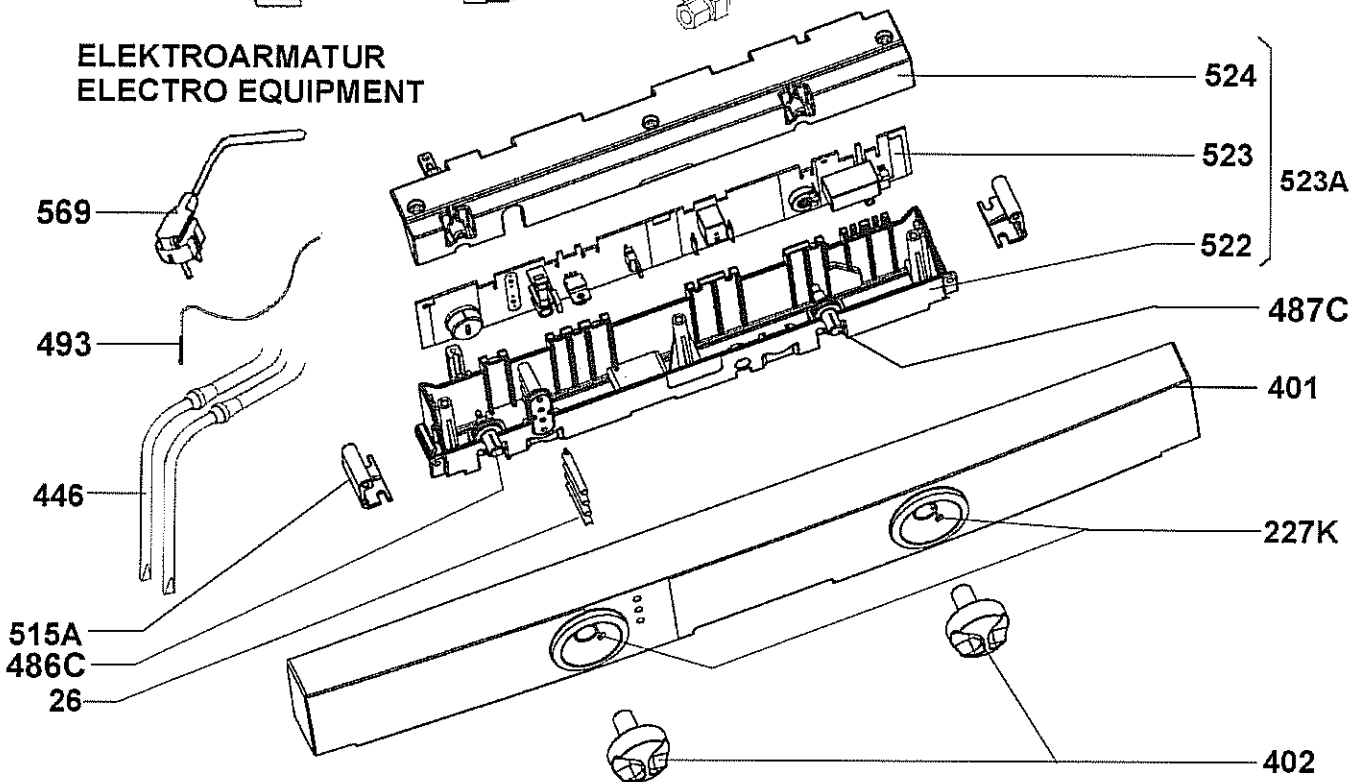
Matrix	PNC	ELC	ProdDate	Model
A	921086545	00	20050920	RM7401

Pos	Part No.	Matrix	Description
202	2412096204	A	Hinge, upper right, chrome plated
203	2412097202	A	Hinge, upper left, chrome plated
204	2412098101	A	Hinge, lower right, chrome plated
205	2412099109	A	Hinge, lower left, chrome plated
206	2923005009	A	Bolt, hinge, chrome plated
207	2926265402	A	Hinge pin, variable
215D	2923297028	A	Foot, complete, black, D=18x8mm
216	2923346205	A	Drain hose, transparent, D=8/1xcoil
220	2412606408	A	Rear-evaporator, complete
221	2926235140	A	Canopy, cooling flange, papyrus white
222	2412195204	A	Evaporator flap, complete, DOMETIC, L=430mm
223	2412125003	A	Hinge, complete, evaporator flap
229A	2413222403	A	Grating, with, bracket, 217x450mm
229C	2413222502	A	Grating, upper, bracket, 141x450mm
234	2951132006	A	Ice tray
239	2412884005	A	Bracket, door lock, cabinet
275	2951221031	A	Cover cap, fixing, papyrus white
286	2926544004	A	Bolt, Spax, 4x17
292	2412743110	A	Cap, hinge, NCS S 4502-Y GL
328	2412082006	A	Fuse, grating, papyrus white
329A	2412083004	A	Fixing, right, grating
329B	2412083103	A	Fixing, left, grating
520	2412095008	A	Canopy, cable grommet, black
565D	7296279016	A	Countersunk screw, C 3, 5x9, 5
565J	7296342012	A	Screw, B8x13
565K	2951230008	A	Lens screw, Torx B4, 8x19

**GASARMATUR  
GAS EQUIPMENT**



**ELEKTROARMATUR  
ELECTRO EQUIPMENT**



**Nur die im Text aufgeführten Ersatzteile sind tatsächlich im Produkt!  
Only the spare parts which are listed, are really in the product!**

(N7401AR01)

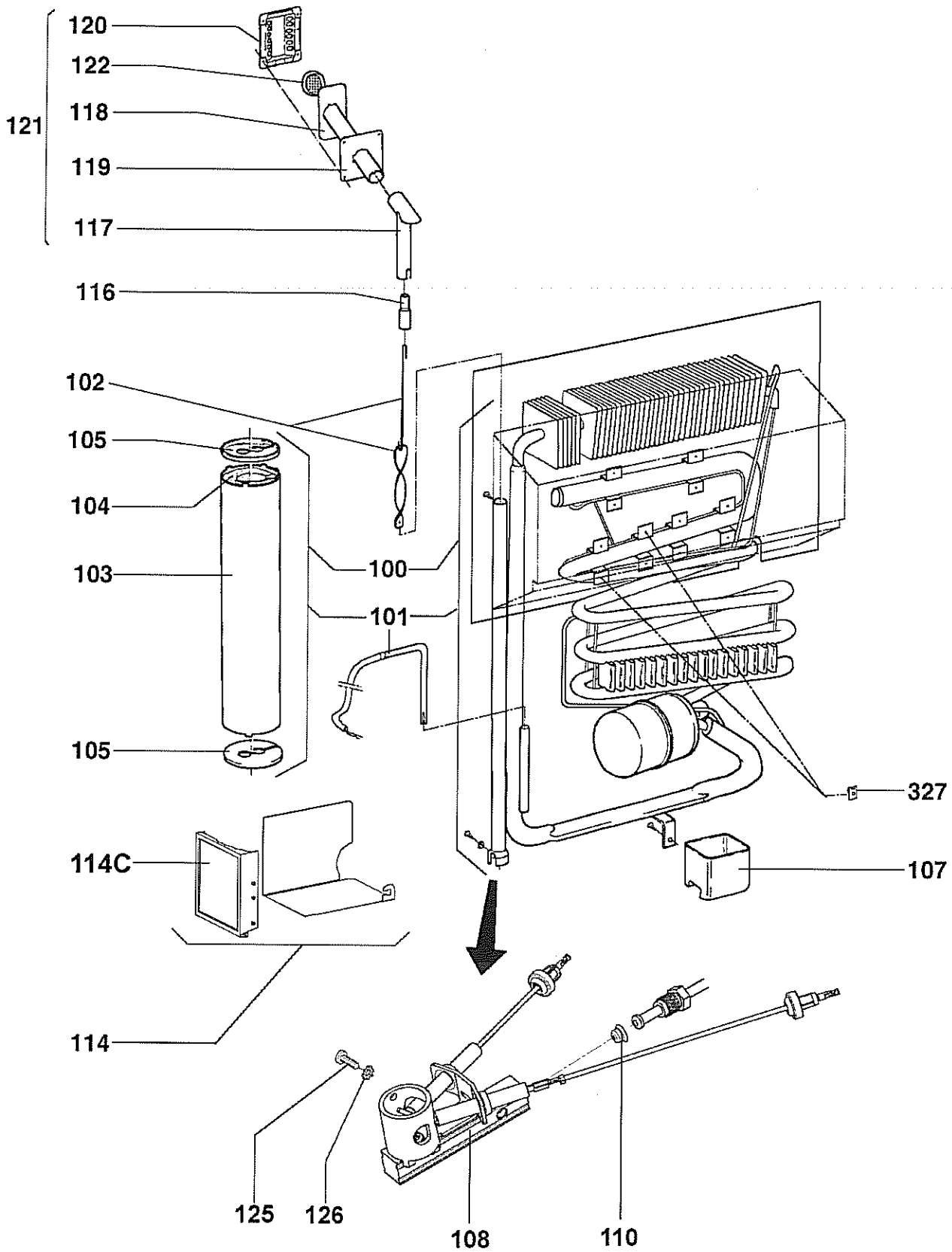
Exploded view no.: N7401AR01

N00022076400

Matrix	PNC	ELC	ProdDate	Model
A	921086545	00	20050920	RM7401

Pos	Part No.	Matrix	Description
026	2412788511	A	Light conductor,Control panel
227K	7295279017	A	Screw, zinc-plated,RXS,B6X10
401	2412933505	A	Control panel,plastic,bent,L=523, DOM, MES
402	2412787208	A	Turning knob,greay
418	2926202009	A	Bracket,for,gas connection
421B	2412798205	A	Gas valve,HEA TEC GV100
425	2412593507	A	Gas inlet pipe,complete,D=4,75/0,7x493mm
430B	2412300861	A	Gas connection,complete,AUSTRALIA
446	2951694302	A	Heater,service,12V/130W
446	2952170534	A	Heater,240V/135W
458	2927903100	A	Union nut,M14x1,5
474A	2412796308	A	Connection wiring,burner control device,electronic
477	2923191007	A	Filter,for,gas connection
486C	2412784106	A	Shaft,selector switch,black,MES
487C	2412785004	A	Shaft,temperature,greay
493	2952248504	A	Temperature probe,L=1100mm
515A	2412786002	A	Fixing bracket,for,electronic
521	2412789105	A	Ignition,service,HEA TEC P810
522	2412769008	A	Cabinet,lower part,electronic
523A	2412771103	A	Electronic,complete,MES, FE104
524	2412770006	A	Cabinet,top part,electronic
569	2935659439	A	Connection wiring,black,L=2500mm, AUSTRALIA



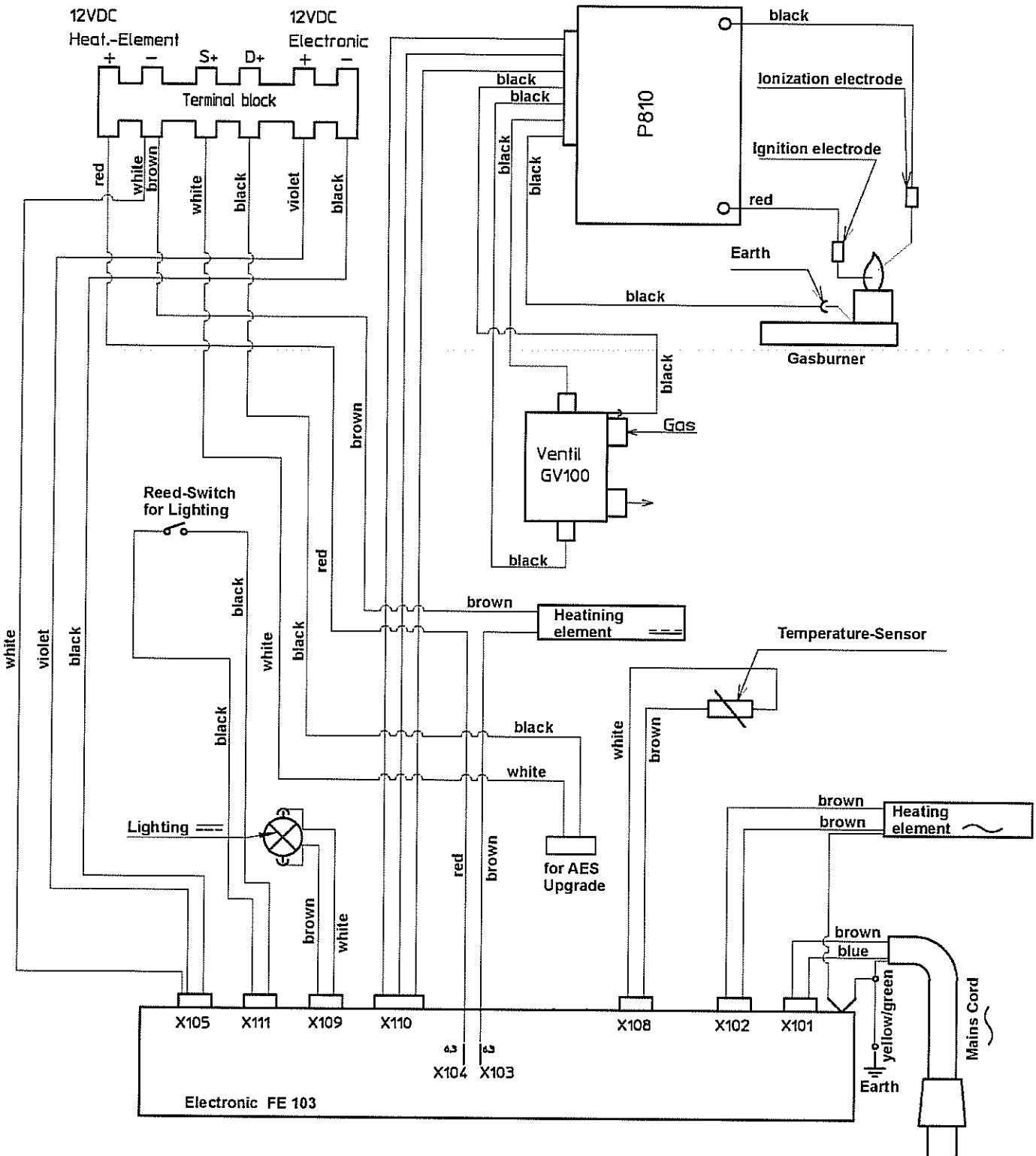


Exploded view no.: N7401AG03

N00032076397

Matrix	PNC	ELC	ProdDate	Model
A	921086545	00	20050920	RM7401

Pos	Part No.	Matrix	Description
100	2935348801	A	Cooling unit
102	2926212206	A	Helix, complete, L=259mm
103	2924082304	A	Mantle, cooker, 0,25x285x498mm
104	2926680113	A	Cooker insulation, 230x480mm
105	2924979004	A	Bezel, cooker, mantle
107	2926019304	A	Evaporation tray, nature
108	2412802809	A	Gas burner, without, nozzle, SERVICE, RM 7XXX
110	2922033069	A	Nozzle, gas burner, KZ 43
114	2412559607	A	Kit, Cover, gas burner
114C	2925057107	A	Fixing, Cover, gas burner
116	2935491007	A	Adaptor, L=68
117	2952444400	A	T-piece, complete, L=75mm
118	2935652004	A	Exhaust pipe, complete, L=195mm
121	2935872214	A	Chimney, complete, 195/75, AUSTRALIA
125	2952435408	A	Lens screw, M4x6
126	2926559036	A	Lock washer, A 4, 3
327	2106626001	A	Nut, plate, ST 4, 8



Z.Nr.: 241 2179-90

(N241217990EN)

N241217990

Anschlußklemme	Terminal board
blau	Blue
braun	Brown
Gelb-Grün	Yellow/Green
Rot	Red
Schwarz	Black
Weiss	White
Heizelement	Heating element
Beleuchtung	Lighting
Violett	Violet
Elektrode	Electrode
Anschlusskabel	Main cable
Erdung	Main earth socket
Temperaturfühler	Temperature probe
Ventil	Valve
Masse	Mass
Batterie	Battery
Elektronik	PCB