



SPARE PARTS LIST

Absorption refrigerators

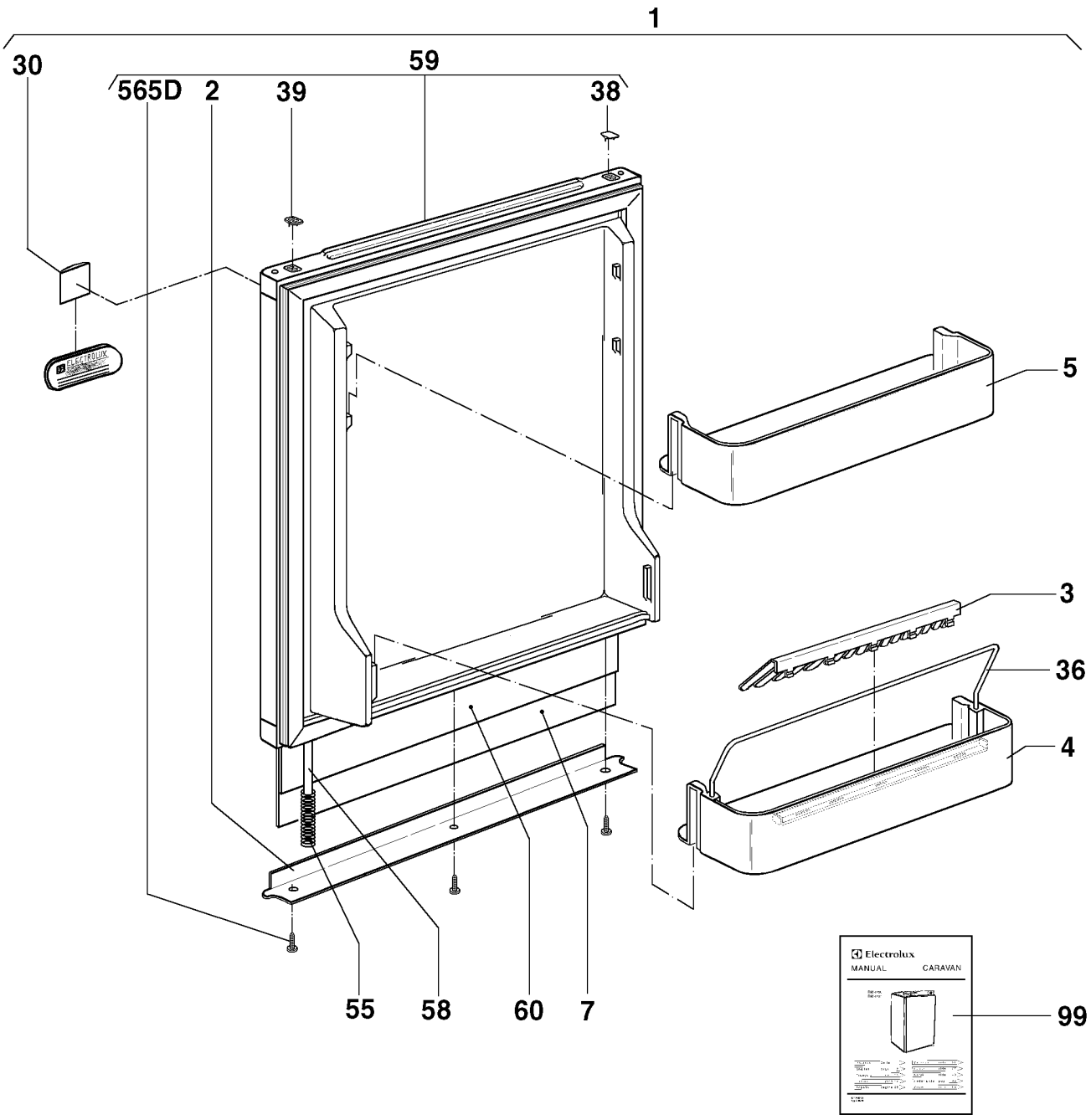
3150

PNC	Brand	Model	Market
A 921070499	Electrolux	RM4211F	

AEG Hausgeräte GmbH
Muggenhofer Straße 135
D-90429 Nürnberg
Germany
Fax +49 (0)911 323 1022

Publ.No.
5994723756
1999/12/2
DES

Cooling boxes,
absorption

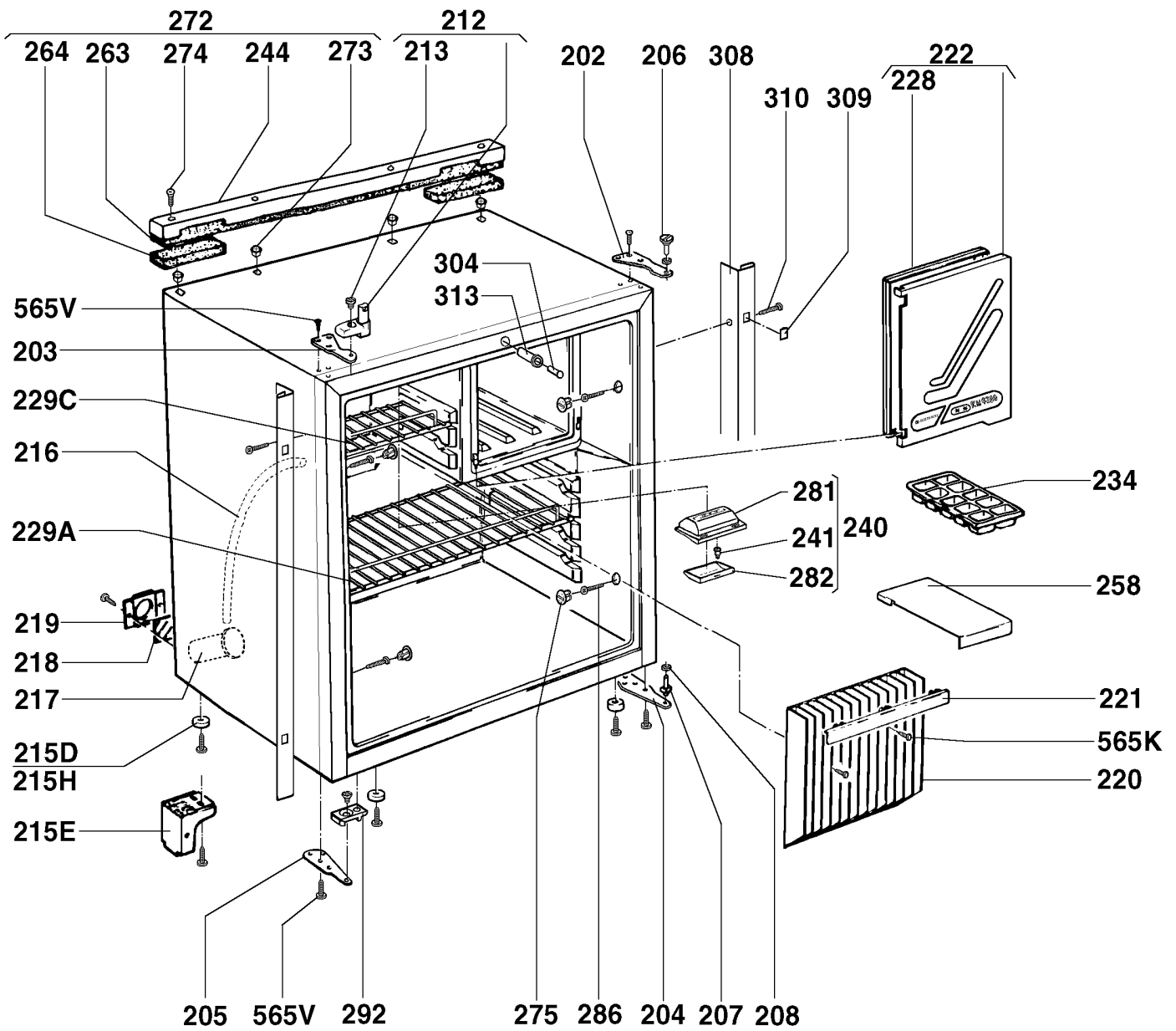


**Nur die im Text aufgeführten Ersatzteile sind tatsächlich im Produkt!
Only the spare parts which are listed, are really in the product!**

(4210 T13)

A	PNC 921070499	Model RM4211F
----------	-------------------------	-------------------------

Pos	Part No.		Description
001	2936 52 450 / 9	A	Door,complete
002	2951 24 010 / 6	A	Cover ledge,grey-brown
003	2951 23 700 / 3	A	Holder,bottles,white,L=300
004	2951 23 810 / 0	A	Étagère,bottles,white,L=384
005	2951 23 900 / 9	A	Étagère,white,L=384
007	2951 29 500 / 1	A	Decor plate,plate,grey-brown,3,2x453,5x534
036	2951 87 500 / 0	A	Fixing clamp,bottles,silver,L=371
038	2951 29 700 / 7	A	Bezel,above,grey-brown
039	2951 29 600 / 9	A	Bezel,above,grey-brown
059	2936 82 900 / 7	A	Door,complete,service
099	8212 64 801 / 1	A	Operating instructions
565D	7296 27 901 / 6	A	Countersunk screw,C 3,5x9,5



Nur die im Text aufgeführten Ersatzteile sind tatsächlich im Produkt!
 Only the spare parts which are listed, are really in the product!

(4210 G10)

A	PNC 921070499	Model RM4211F
----------	-------------------------	-------------------------

Pos	Part No.		Description
202	2951 24 640 / 0	A	Hinge,upper right,chrome plated
203	2951 24 740 / 8	A	Hinge,upper left,chrome plated
204	2951 24 800 / 0	A	Hinge,lower right,chrome plated
205	2951 24 900 / 8	A	Hinge,lower left,chrome plated
206	2923 00 500 / 9	A	Bolt,Hinge,chrome plated
207	2926 26 520 / 4	A	Bolt,Hinge,chrome plated,L=21,5
212	2952 70 000 / 9	A	Door lock,complete,grey-brown
213	2952 16 900 / 7	A	Lens screw,M6x6 4,8-Z
215H	2926 20 102 / 7	A	Foot,complete,black,D=18x11mm
216	2926 44 118 / 5	A	Drain hose,L=265mm
220	2927 99 310 / 1	A	Cooling flange
221	2926 23 513 / 2	A	Canopy,cooling flange,white
222	2951 28 000 / 3	A	Evaporator flap,complete,white
228	2926 15 200 / 6	A	Gasket,evaporator flap,light grey
229A	2951 28 115 / 9	A	Grating,bottom,D=6/2,5x178x418
229C	2951 28 215 / 7	A	Grating,above,D=6/2,5x102x236
234	2951 13 200 / 6	A	Ice tray
258	2951 97 900 / 0	A	Ice tray support
308	2952 26 310 / 7	A	Frontframe,552lg.
309	2905 00 600 / 9	A	Cap,screw
310	2952 26 400 / 6	A	Bolt,plate,3,9x9,5
565K	2951 23 000 / 8	A	Lens screw,Torx B4,8x19
565V	2924 41 702 / 1	A	Countersunk screw,C3,9x13

**GASARMATUR
GAS EQUIPMENT**

424 423

429F

477

422

438

408

401

402

512

489

**ELEKTROARMATUR
ELECTRO EQUIPMENT**

409

411A

412

407

406

405

403A

446

442A

418

428

501

500

425

421

418A

482

416B

416D

416E

417A

414J

414L

414R

491

415B

489

515

441

440

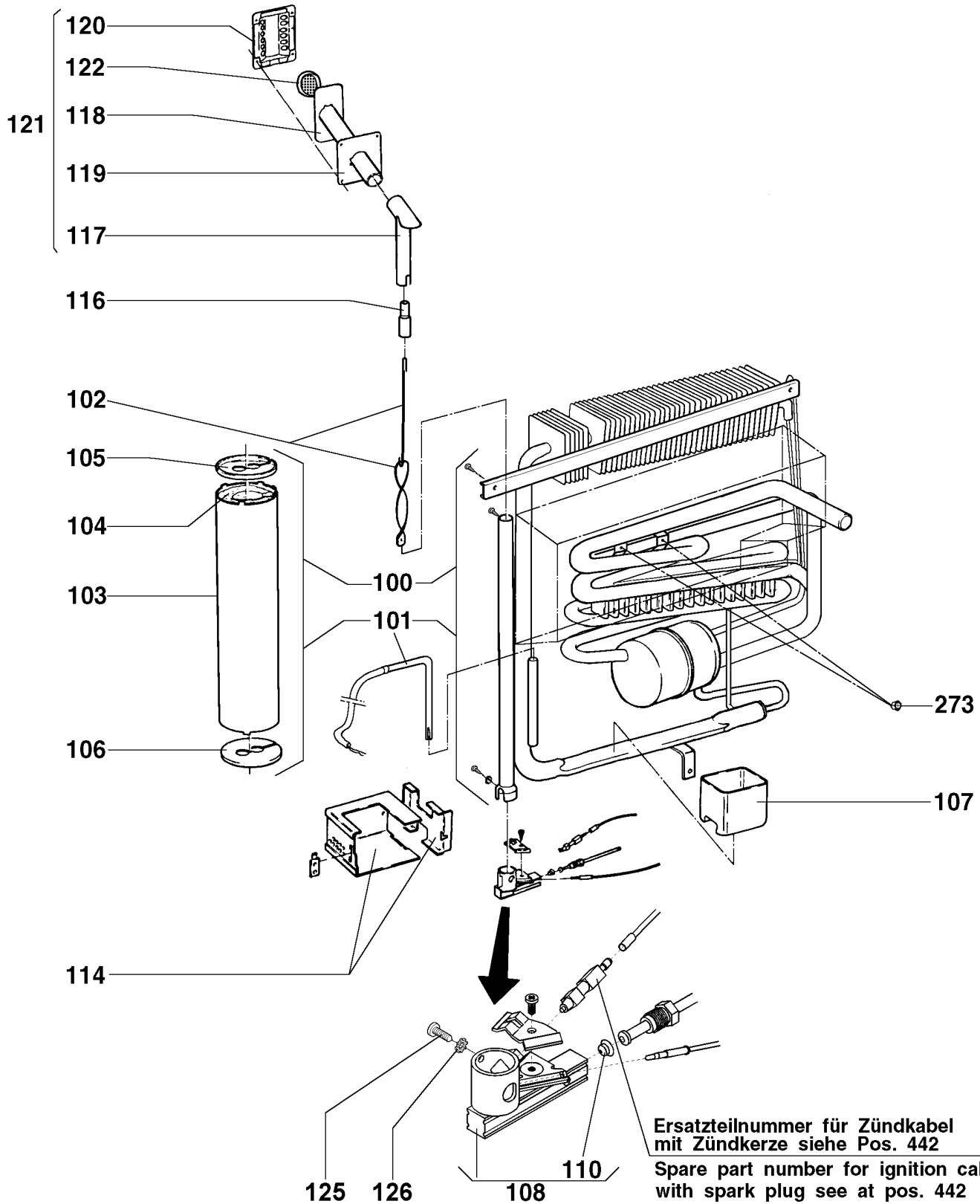
442B

**Nur die im Text aufgeführten Ersatzteile sind tatsächlich im Produkt!
Only the spare parts which are listed, are really in the product!**

(4200 AR26)

A	PNC 921070499	Model RM4211F
----------	-------------------------	-------------------------

Pos	Part No.		Description
401	2952 02 210 / 7	A	Panel
402	2951 28 940 / 0	A	Turning knob,gas regulator valve,grey-brown
403A	2951 28 700 / 8	A	Turning knob,Thermostat,grey-brown
405	2926 27 410 / 7	A	Switch,illuminated,green,230V
406	2926 27 350 / 5	A	Switch,illuminated,red,12V/24V
407	2106 45 403 / 2	A	Boss,instrument retainer,grey-brown
408	2926 27 520 / 3	A	Switch,illuminated,orange,230V
409	2106 45 600 / 3	A	Canopy,electric,black
411A	2926 52 812 / 2	A	Thermostat,electric,L=600mm
412	2927 88 100 / 9	A	Hexagon nut, for,Thermostat,M 10x0,75
414R	2951 75 800 / 8	A	Insulating plate,terminal board,0,5x48x70
415B	2923 46 604 / 5	A	Terminal board,three-pole,4mm ²
416D	2923 61 104 / 6	A	Terminal board,5-polig, 6mm ²
417A	2926 56 000 / 0	A	Strain relief,black
418	2935 45 100 / 1	A	Fixing clamp,1x5
421	2926 27 611 / 0	A	Gas regulator valve,30/50 mbar
422	2923 67 600 / 7	A	Nut,M12x1
423	2923 18 900 / 1	A	Union nut,M15x1
424	2923 19 000 / 9	A	Double cone ring,D=8,1
425	2927 96 430 / 0	A	Gas inlet pipe,complete,D=4,75/0,7x1276
428	2923 43 511 / 5	A	Thermo element,L=1250mm
429F	2951 80 340 / 8	A	Gas connection,complete,Australia
440	2952 36 301 / 4	A	Ignition,electric,DCZ 1/12E, 12/24V
441	2935 60 510 / 1	A	Canopy,ignition,black
442B	2951 10 571 / 3	A	Ignition cable,complete,reddish brown,L=600
446	2923 42 000 / 0	A	Heater,12V/120W
	2952 17 403 / 1	A	Heater,240V/125W
477	2923 19 100 / 7	A	Filter, for,gas connection
489	2106 45 200 / 2	A	Instrument retainer,control valve,L=486
500	2106 03 000 / 6	A	Magnet insert,gas regulator valve
501	2106 03 100 / 4	A	Nut,magnet insert,gas regulator valve
512	2106 45 300 / 0	A	Boss,instrument retainer,gas
515	2106 45 500 / 5	A	Fixing,instrument retainer

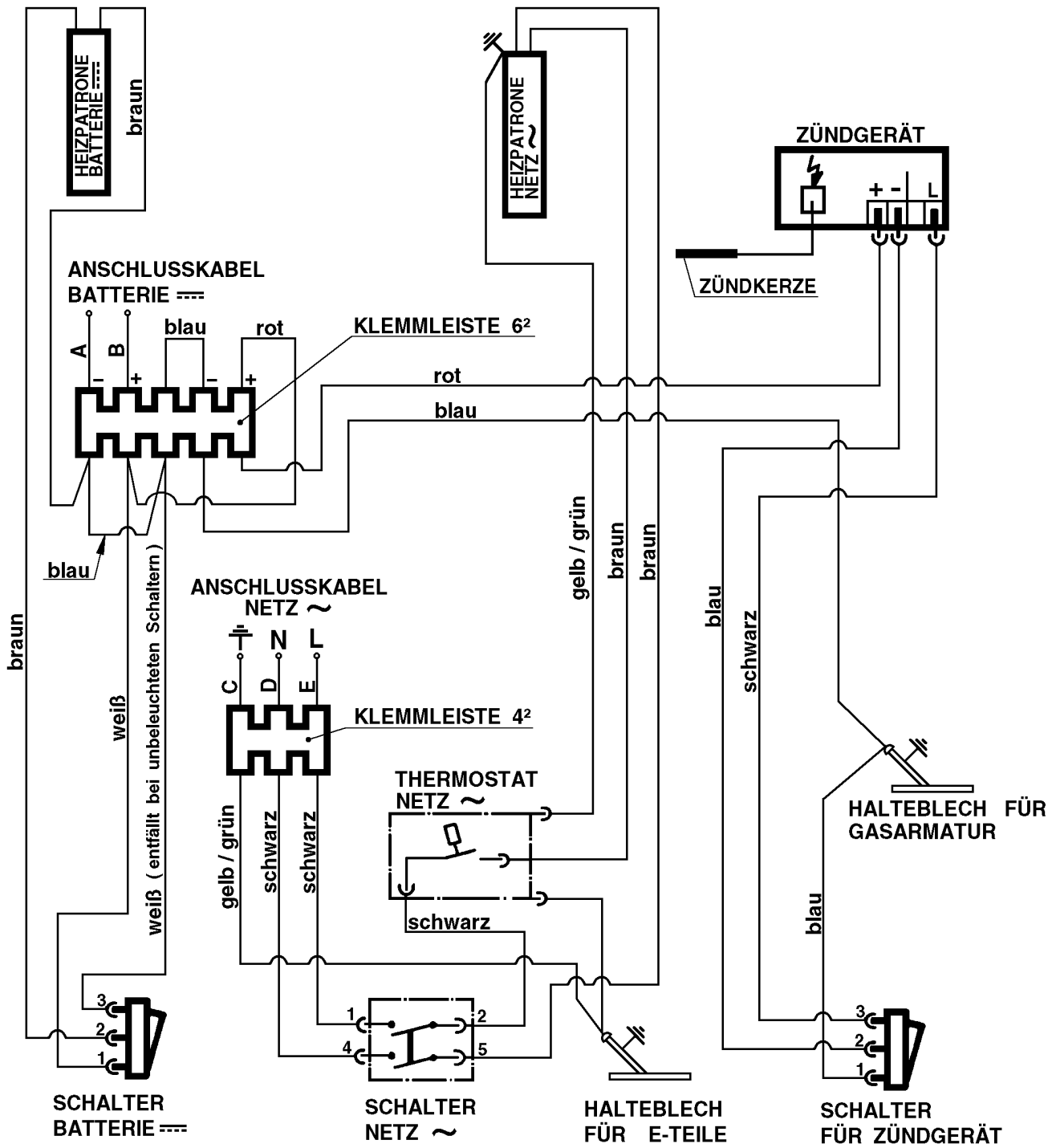


Nur die im Text aufgeführten Ersatzteile sind tatsächlich im Produkt!
Only the spare parts which are listed, are really in the product!

(4211 AG02)

A	PNC 921070499	Model RM4211F
----------	-------------------------	-------------------------

Pos	Part No.		Description
100	2952 61 000 / 0	A	Cooling unit
101	2952 61 033 / 1	A	Cooling unit,complete,12V/120W, 240V/125W
102	2926 21 260 / 2	A	Helix,complete,L=198mm
103	2924 08 220 / 5	A	Mantle,cooker,0,25x285x355
104	2926 68 013 / 9	A	Cooker insulation,230x350
105	2924 97 900 / 4	A	Bezel,cooker,mantle
106	2924 08 900 / 2	A	Bezel,bottom,cooker
107	2926 01 930 / 4	A	Evaporation tray,nature
108	2923 87 750 / 6	A	Gas burner,complete,KZ 43
110	2922 03 306 / 9	A	Nozzle,gas burner,KZ 43
114	2927 97 700 / 5	A	Canopy,complete,gas burner,Reigniter
116	2935 49 100 / 7	A	Adaptor,L=68
117	2923 03 330 / 8	A	T-piece,complete,L=75mm
118	2935 65 200 / 4	A	Exhaust pipe,complete,L=195mm
119	2924 74 900 / 1	A	Fixing,plate
120	2951 05 500 / 9	A	Canopy,beige
121	2935 54 900 / 2	A	Chimney,complete,beige,L=195/75mm
122	2935 66 700 / 2	A	Cover cap,nature
125	2952 43 540 / 8	A	Lens screw,M4x6
126	2926 55 903 / 6	A	Lock washer,A 4,3
273	2926 54 520 / 9	A	Nut,plastic,nature



JAPAN	weiß	rot	—	weiß	schwarz
STANDARD	weiß	rot	gelb / grün	blau	braun
	A	B	C	D	E

(4401 S10)

Technische Spezifikation

Modell: RM 4210F / RM 4211F / RM 4212F
RM 4213F / RM 5211F

Produktnummer: siehe Produkttabelle

Abmessungen:

Breite: 522 mm

Höhe: 618 mm

Tiefe: 474 mm

Gewicht: 21 Kg

Heizpatronen (Spannung, Leistung):
siehe Ersatzteilliste Pos. 446

Thermostat: 292 6528-12/2
Typ: Elektro

Min.:

Ein + 6,0 +/-2,2°C

Aus + 1,5 +/-2,5°C

Max.:

Ein - 4,0 +/-1,0°C

Aus -10,0 +/-1,0°C

Kapillarrohrlänge: 600 mm