



**Dometic
Spare parts list**

When ordering parts, always state:

MODEL NO. - PRODUCT NO. - QUANTITY -

PART NO. - DESCRIPTION

For electric details also state:

VOLTAGE - WATTAGE

Add a 0 in front of part numbers with less than 10 digits

Portable Refrigerators

PNC	Voltage	Brand	Model	Door	Market
921369713	240/50V/Hz	Dometic	RC1600EGP		AU

SERVICE OFFICE
Dometic Hungary

Publication-No.
599725649
2010/01/14

© Dometic

Portable Refrigerators

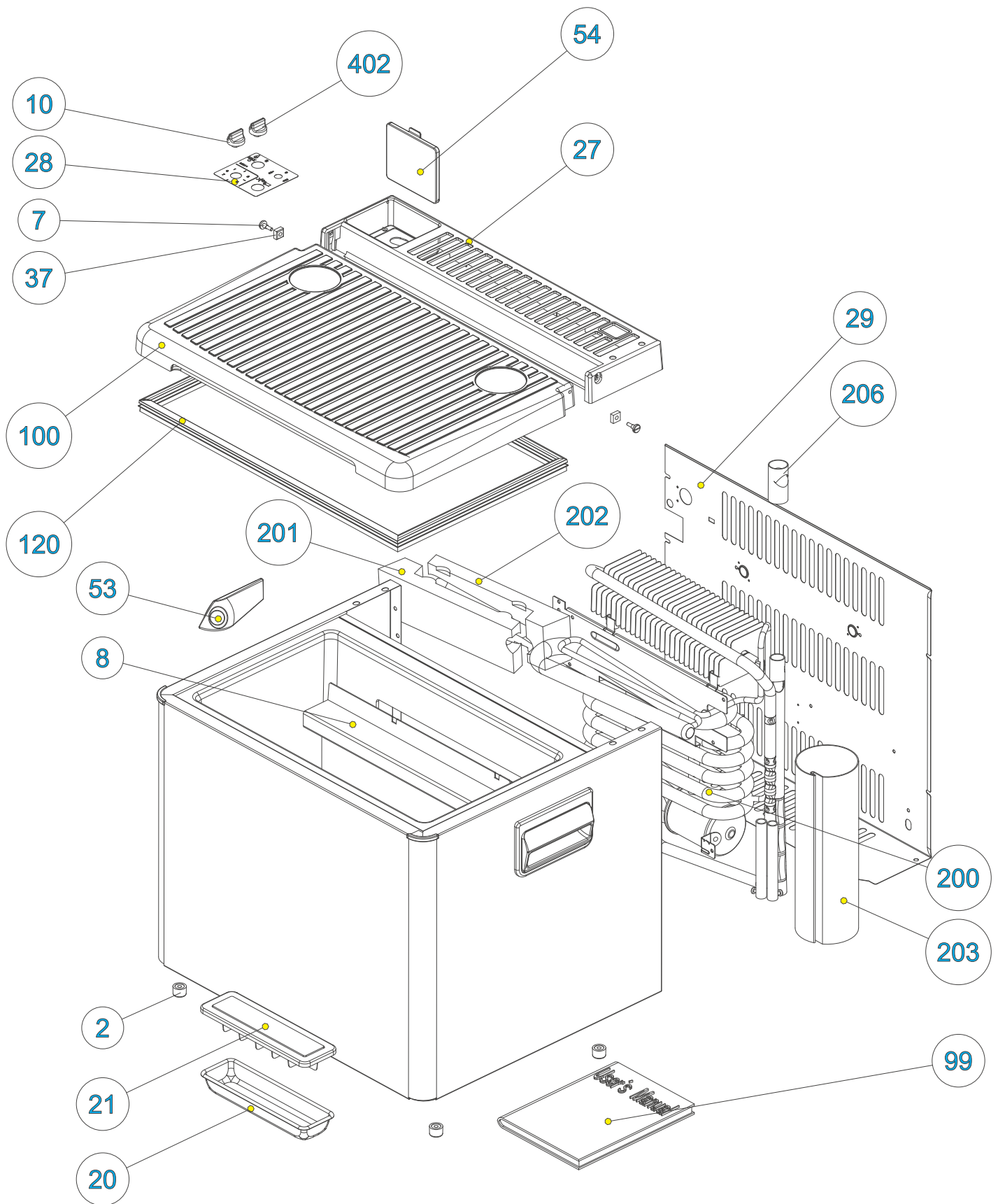
Product specification 92136971300 RC1600EGP

Dimensions (HxLxD)

Height	440 mm
Width	533 mm
Depth	440 mm
Container load	33 l
Absorbed power	1,4 KWh/24h / 230V
Absorbed power	252 g/24h
Class	N
Fridge thermostat	Ranco K50H1112
Cut-in / cut-out	-18,0 +/- 2,2 °C
Cut-in / cut-out	-3,0 +/- 1,0//+2,0 +/- 1,0 °C
Capillary length	1200 mm

Heating element

Voltage	240/50 V/Hz
Performance	75 W
Voltage	12 V/Hz
Performance	75 W

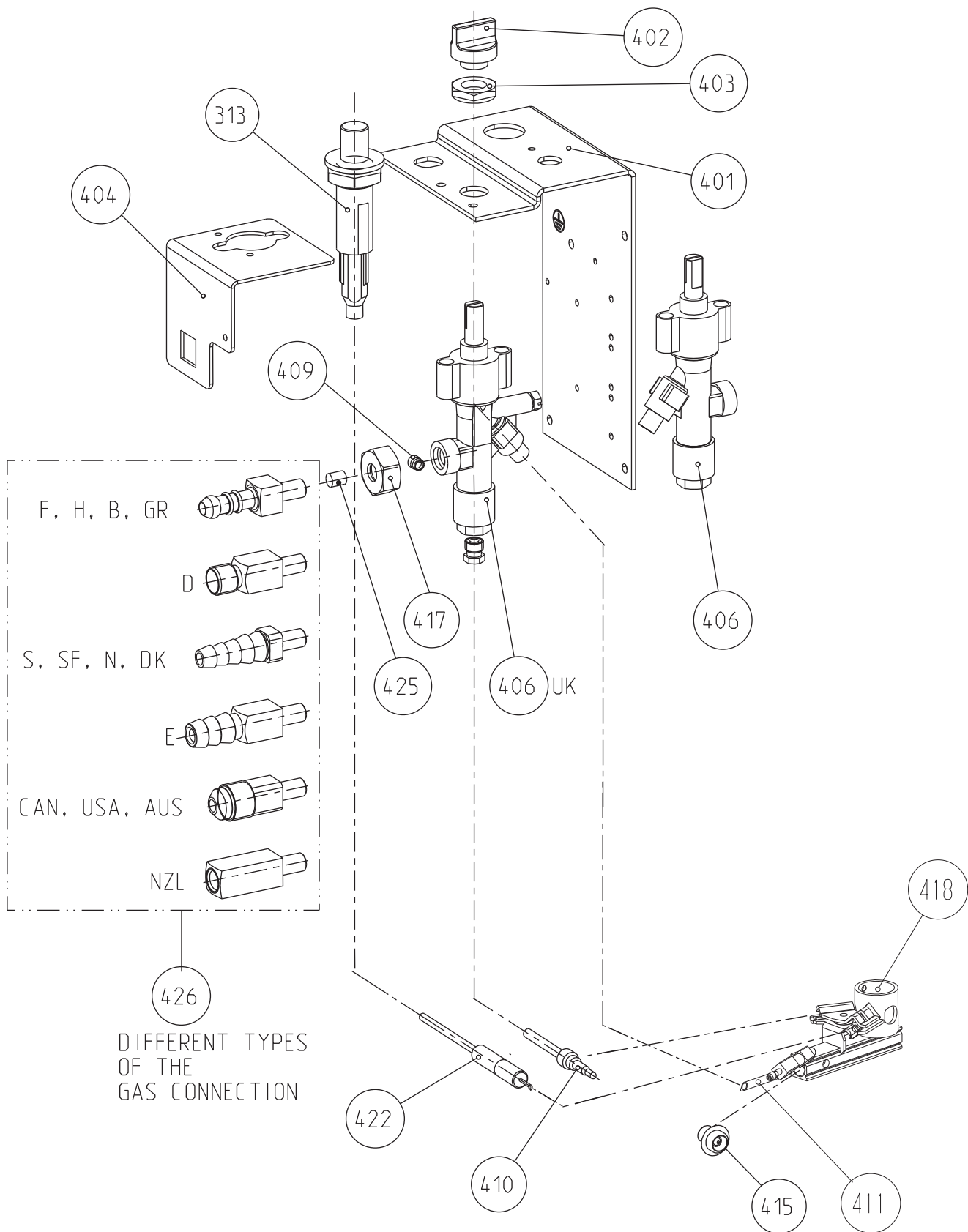


PP921369701

Only the spare parts that are listed are really in the product!
 Nur die im Text aufgeführten Ersatzteile sind tatsächlich im Produkt!

Matrix	PNC	ELC	ProdDate	Model
A	921369713	00	20091203	RC1600EGP

Pos	Part No.	Matrix	Description
003	2074554029	A	Foot,inner,black
007	2922362013	A	Bolt,M5x6x9
008	2071946012	A	Canopy,cooling flange,RC1000
027	2071612085	A	Ventilation grid,RC1600 GREY NCS4000
028	2922661208	A	Control panel,RC1700 DOMETIC
029	2963303025	A	Back panel,Cover,RC1600EG
037	2922362021	A	Nut,door,black,M5, RC1600
099	2075911152	A	User manual,RC1600 AUS
100	2070168030	A	Bezel,complete,RC1600 GREY FACELIFT
120	2922613001	A	Gasket,bezel,white,RC1600, 295*477*2
200	2070302050	A	Cooling unit,RC165EEG_W
201	2071747022	A	Insulation,I., RC1600
202	2071748020	A	Insulation,II., RC1600
203	2922518051	A	Cooker insulation,RC1600



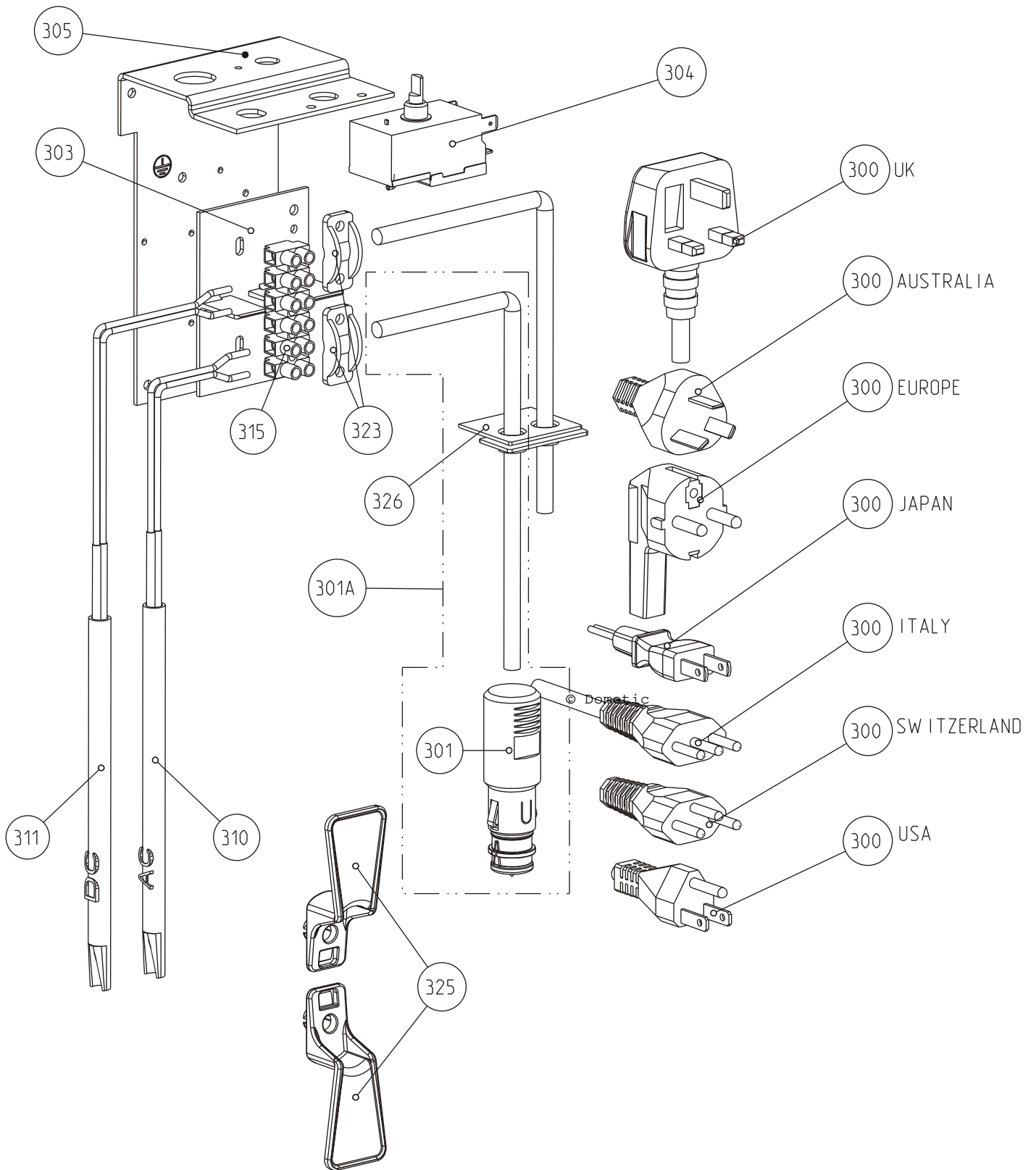
Pp207074801

Only the spare parts, which are listed, are really in the product!
 Nur die im Text aufgeführten Ersatzteile sind tatsächlich im Produkt!

Exploded view no.: PP207074801
P00003016485

Matrix	PNC	ELC	ProdDate	Model
A	921369713	00	20091203	RC1600EGP

Pos	Part No.	Matrix	Description
313	2072173020	A	Piezo lighter,RV 381-0120
323G	2071700013	A	Cable clamp
402	2075459012	A	Gas regulator,knob
403	2072200013	A	Nut,safety valve
404	2075561015	A	Holder,gas equipment,RC1700 WAECO
406	2075260014	A	Gas regulator valve,30/50mbar COPRECCI
408	2923189001	A	Union nut,M15x1
409	2923190009	A	Double cone ring,D=8,1
410	2072106061	A	Thermo element,ORKLI 800mm
411	2075254017	A	Connecting pipe,gas,RC1700
415	2075230058	A	Nozzle,KZ24
416	2923437103	A	Gas burner
422	2927880449	A	Ignition cable,white,L=1350mm
425	2922212002	A	Filter,gas



Np921369100

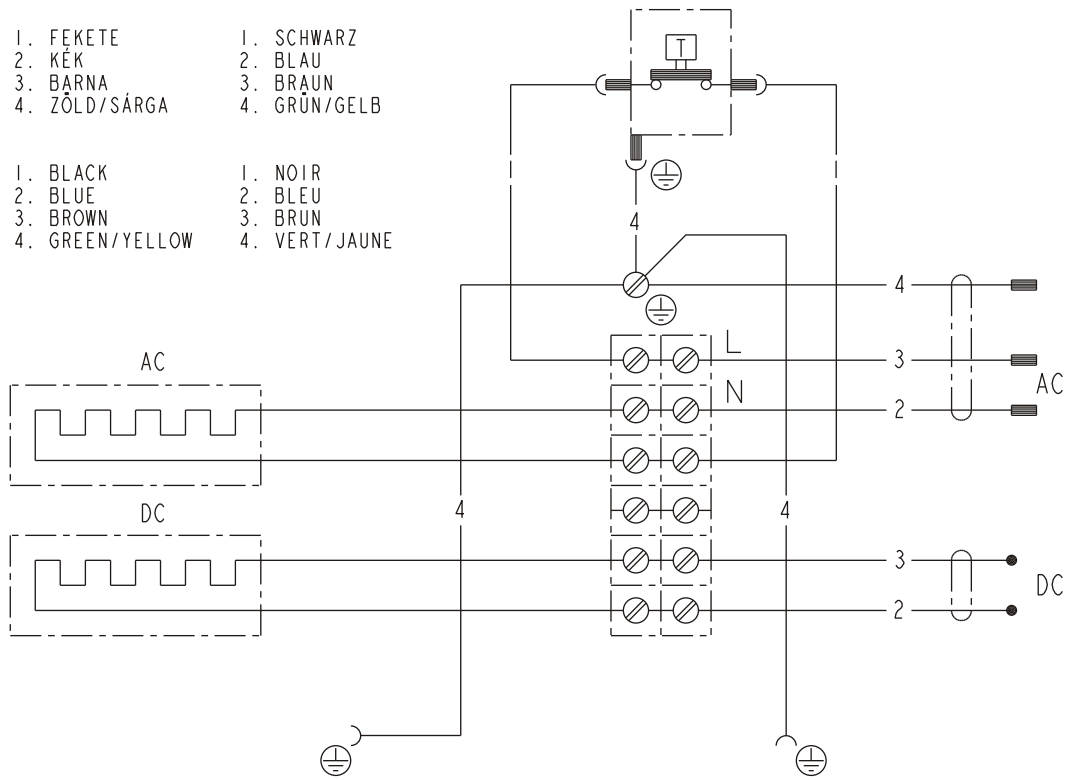
Only the spare parts, which are listed, are really in the product!
 Nur die im Text aufgeführten Ersatzteile sind tatsächlich im Produkt!

Exploded view no.: NP921369100
P00003016486

Matrix	PNC	ELC	ProdDate	Model
A	921369713	00	20091203	RC1600EGP

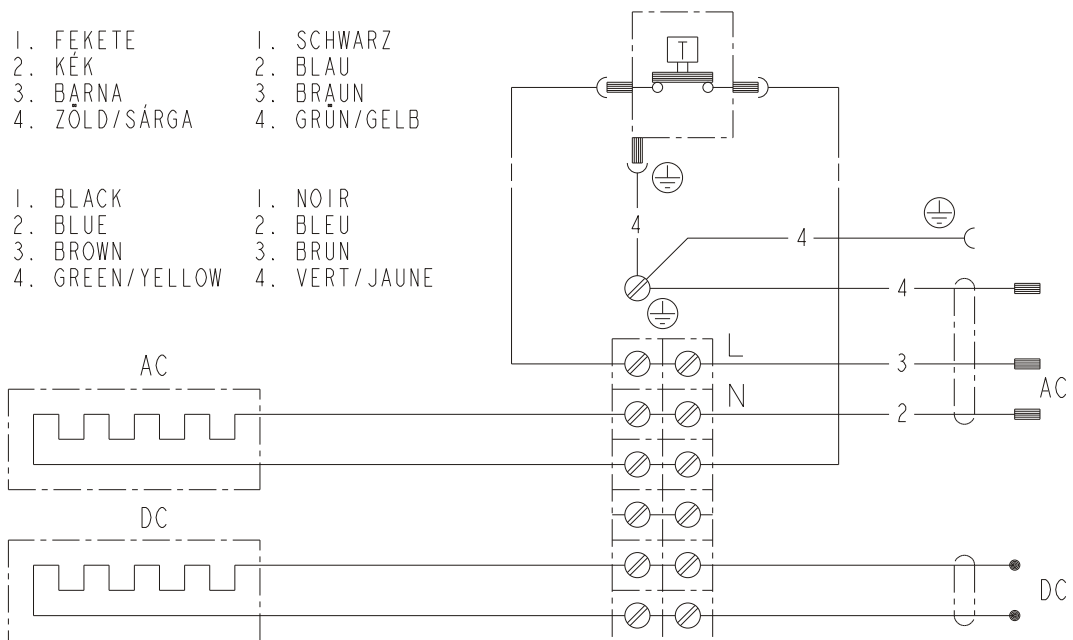
Pos	Part No.	Matrix	Description
-	2074595014	A	Regulator, knob
300	2072613157	A	Connection wiring, SAA/3
301A	2072649110	A	Connection wiring, low voltage, 2000mm, with plug
303	2071703017	A	Junction block, terminal board, RC1600
304	2922007048	A	Thermostat, electric, RANCO K50H1112
305	2922636028	A	Holder, electric, RC1600
310	2072504075	A	Heater, 240V/75W, 580mm
311	2922671009	A	Heater, 12V/75W, 530mm
315	2072707090	A	Terminal block, 2EL. EKL 3.5 DSPA
323	2922367020	A	Cable, clip, RC1600
325	2074575016	A	Cable clamp, RC1600/F400/RC1180
326	2922609009	A	Cable duct, RC1600

- | | |
|-----------------|---------------|
| 1. FEKETE | 1. SCHWARZ |
| 2. KÉK | 2. BLAU |
| 3. BARNÁ | 3. BRAUN |
| 4. ZÖLD/SÁRGA | 4. GRÜN/GELB |
| 1. BLACK | 1. NOIR |
| 2. BLUE | 2. BLEU |
| 3. BROWN | 3. BRUN |
| 4. GREEN/YELLOW | 4. VERT/JAUNE |



- - - - - **From 23.02.2004 see below** - - - - -

- | | |
|-----------------|---------------|
| 1. FEKETE | 1. SCHWARZ |
| 2. KÉK | 2. BLAU |
| 3. BARNÁ | 3. BRAUN |
| 4. ZÖLD/SÁRGA | 4. GRÜN/GELB |
| 1. BLACK | 1. NOIR |
| 2. BLUE | 2. BLEU |
| 3. BROWN | 3. BRUN |
| 4. GREEN/YELLOW | 4. VERT/JAUNE |



207.5374.01

Pp207441101