

Other F-products (mainly caravan and boats)
4617

| PNC | ELC | Brand | Model | Market |
|-----------|-----|---------|----------|---|
| 921000507 | 00 | Dometic | CTLP3050 | AD - AT - BA - BE - BG - CH - CY - CZ - DE - DK - ES - FI - FR - GB - GI - GR - HR - HU - IE - IS - IT - LI - LU - MC - MT - NL - NO - PL - PT - RU - SE - SI - SK - SM - TR - UA - YU |
| 921000509 | 00 | Dometic | CTS3110 | AD - AT - BA - BE - BG - CH - CY - CZ - DE - DK - ES - FI - FR - GB - GI - GR - HR - HU - IE - IS - IT - LI - LU - MC - MT - NL - NO - PL - PT - RU - SE - SI - SK - SM - TR - UA - YU |
| 921000510 | 00 | Dometic | CTW3110 | AD - AT - BA - BE - BG - CH - CY - CZ - DE - DK - ES - FI - FR - GB - GI - GR - HR - HU - IE - IS - IT - LI - LU - MC - MT - NL - NO - PL - PT - RU - SE - SI - SK - SM - TR - UA - YU |
| 921000511 | 00 | Dometic | CTS3110 | AD - AT - BA - BE - BG - CH - CY - CZ - DE - DK - ES - FI - FR - GB - GI - GR - HR - HU - IE - IS - IT - LI - LU - MC - MT - NL - NO - PL - PT - RU - SE - SI - SK - SM - TR - UA - YU |
| 921000512 | 00 | Dometic | CTLP3110 | AD - AT - BA - BE - BG - CH - CY - CZ - DE - DK - ES - FI - FR - GB - GI - GR - HR - HU - IE - IS - |

Product specification 92100050700 CTLP3050

Electric

| | |
|-------------|-------|
| Voltage | 12 V |
| Amperage | 1,5 A |
| Performance | 18 W |
| Fuse | 7,5 A |

Water supply

| | |
|---------------|---------|
| Out pump rate | 7 l/min |
|---------------|---------|

Box

| | |
|----------|------|
| Capacity | 19 l |
|----------|------|

Product specification 92100050900 CTS3110

Electric

| | |
|-------------|-------|
| Voltage | 12 V |
| Amperage | 1,5 A |
| Performance | 18 W |
| Fuse | 7,5 A |

Water supply

| | |
|---------------|---------|
| Out pump rate | 7 l/min |
|---------------|---------|

Box

| | |
|----------|------|
| Capacity | 19 l |
|----------|------|

Product specification 92100051000 CTW3110

Electric

| | |
|-------------|-------|
| Voltage | 12 V |
| Amperage | 1,5 A |
| Performance | 18 W |
| Fuse | 7,5 A |

Water supply

| | |
|---------------|---------|
| Out pump rate | 7 l/min |
|---------------|---------|

Box

| | |
|----------|------|
| Capacity | 19 l |
|----------|------|

Product specification 92100051100 CTS3110

Electric

| | |
|-------------|-------|
| Voltage | 12 V |
| Amperage | 1,5 A |
| Performance | 18 W |
| Fuse | 7,5 A |

Water supply

| | |
|---------------|---------|
| Out pump rate | 7 l/min |
|---------------|---------|

Box

| | |
|----------|------|
| Capacity | 19 l |
|----------|------|

Product specification 92100051200 CTLP3110

Electric

| | |
|-------------|-------|
| Voltage | 12 V |
| Amperage | 1,5 A |
| Performance | 18 W |
| Fuse | 7,5 A |

Water supply

| | |
|---------------|---------|
| Out pump rate | 7 l/min |
|---------------|---------|

Box

| | |
|----------|------|
| Capacity | 19 l |
|----------|------|

Product specification 92100051300 CT3110

Electric

| | |
|-------------|-------|
| Voltage | 12 V |
| Amperage | 1,5 A |
| Performance | 18 W |
| Fuse | 7,5 A |

Water supply

| | |
|---------------|---------|
| Out pump rate | 7 l/min |
|---------------|---------|

Vacuum pump

| | |
|-------------------|----------|
| Switch on point | 750 mbar |
| Switch off point | 650 mbar |
| Pump running time | 60 sec. |

Box

| | |
|----------|------|
| Capacity | 19 l |
|----------|------|

Product specification 92100051400 CT3110

Electric

| | |
|-------------|-------|
| Voltage | 12 V |
| Amperage | 1,5 A |
| Performance | 18 W |
| Fuse | 7,5 A |

Water supply

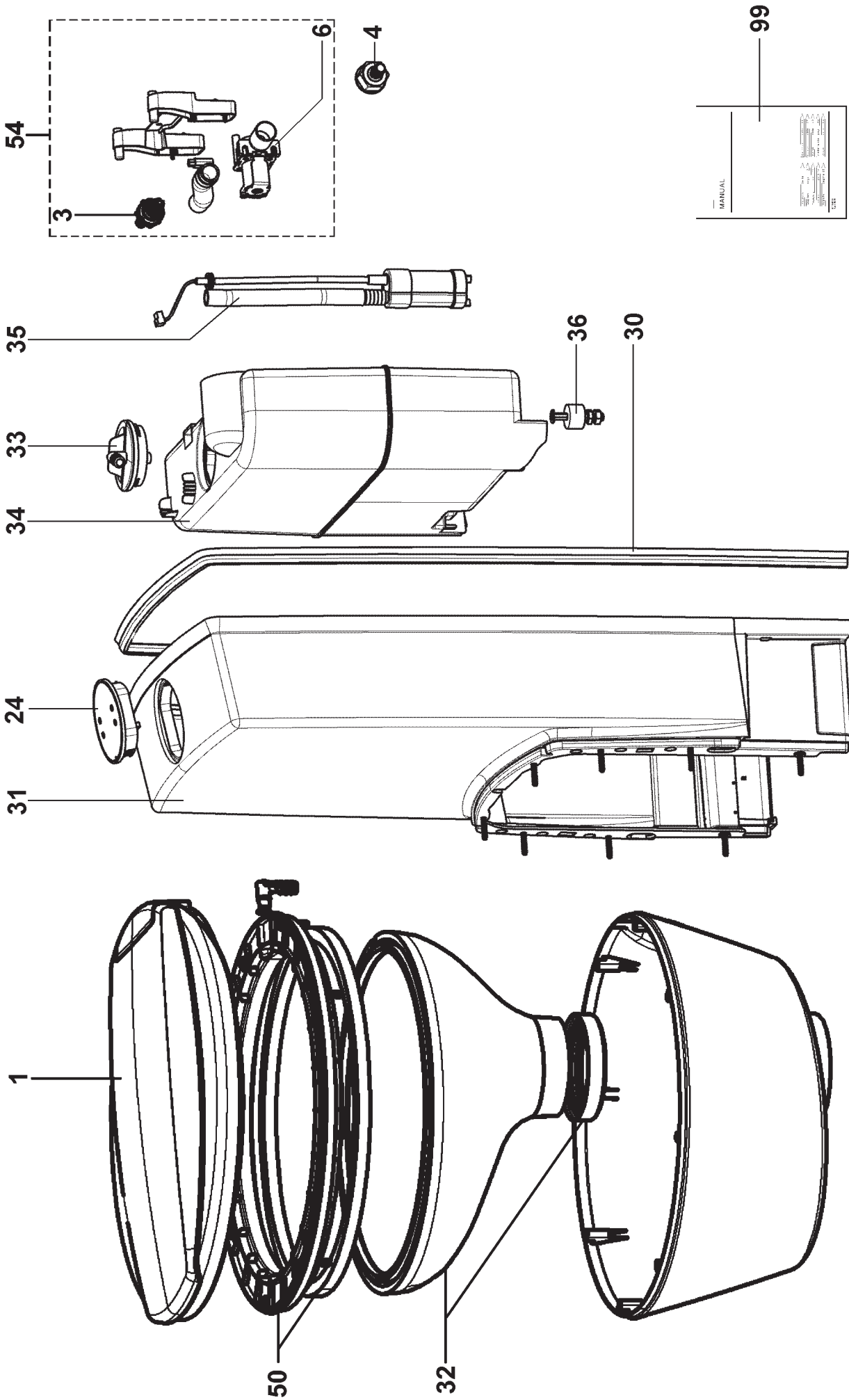
| | |
|---------------|---------|
| Out pump rate | 7 l/min |
|---------------|---------|

Vacuum pump

| | |
|-------------------|----------|
| Switch on point | 750 mbar |
| Switch off point | 650 mbar |
| Pump running time | 60 sec. |

Box

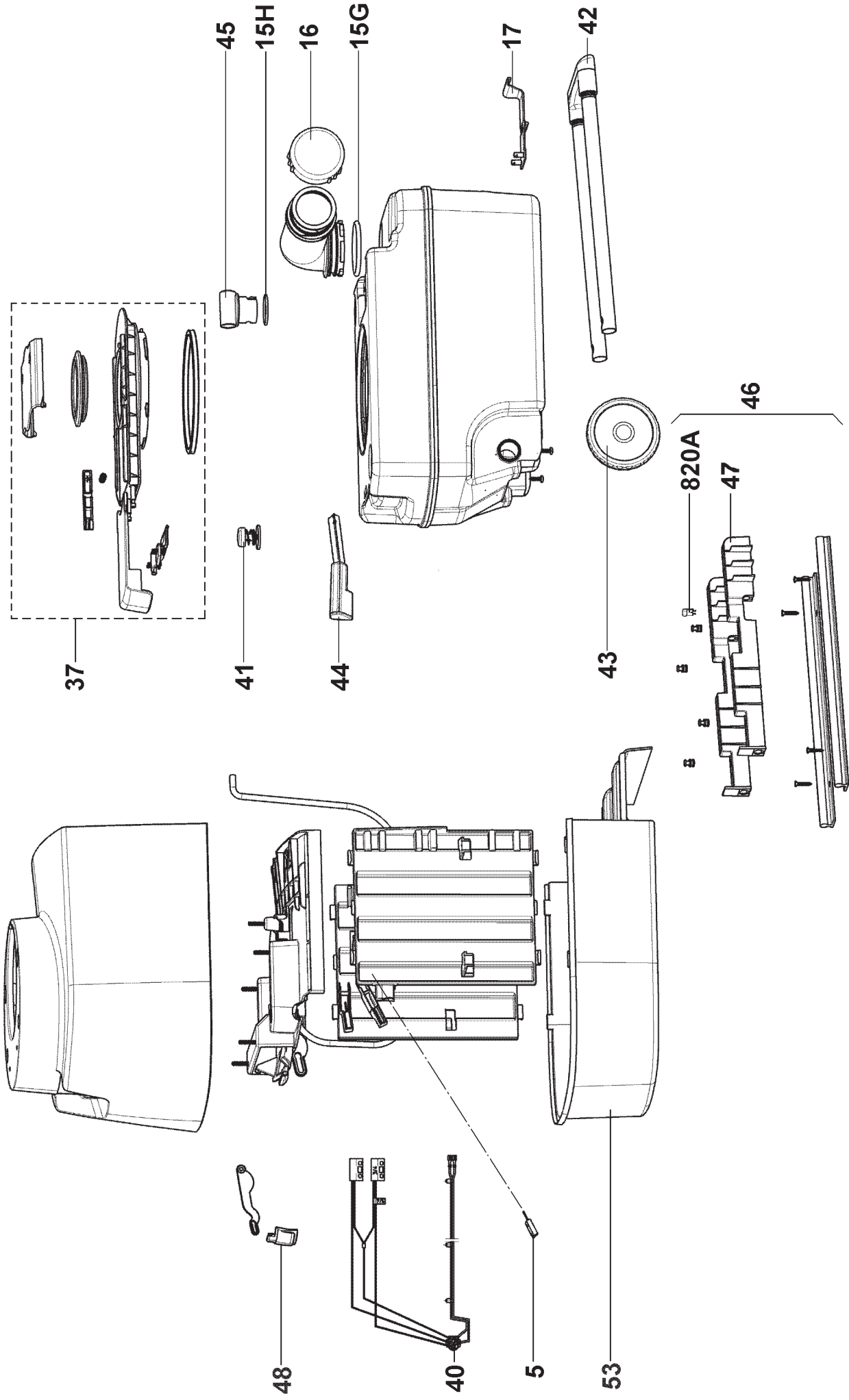
| | |
|----------|------|
| Capacity | 19 l |
|----------|------|



Nur die im Text aufgeführten Ersatzteile sind tatsächlich im Produkt!
 Only the spare parts which are listed are really in the product!

| Matrix | PNC | ELC | ProdDate | Model |
|--------|-----------|-----|----------|----------|
| A | 921000507 | 00 | 20071128 | CTLP3050 |
| B | 921000509 | 00 | 20080519 | CTS3110 |
| C | 921000510 | 00 | 20080519 | CTW3110 |
| D | 921000511 | 00 | 20080519 | CTS3110 |
| E | 921000512 | 00 | 20080519 | CTLP3110 |
| F | 921000513 | 00 | 20080826 | CT3110 |
| G | 921000514 | 00 | 20080826 | CT3110 |

| Pos | Part No. | Matrix | Description |
|-----|------------|---------------|---|
| 001 | 2426011199 | A B C D E F G | Cover, complete |
| 003 | 2426011025 | A B - D E F G | Non return valve, complete |
| 004 | 2426011652 | A B - D E - - | Sleeve hose, corner, 12 mm |
| 004 | 2426003014 | - - - - - F - | Sleeve hose, with, sealant, 1/2" = 12mm |
| 004 | 2426012734 | - - - - - G | Sleeve hose, corner, D=12mm |
| 006 | 2426010498 | A B - D E F G | Magnetic valve |
| 024 | 2426011876 | A B C D E F G | Controls, complete |
| 030 | 2426011405 | A - - - E - - | Rubber gasket, wall bracket, L=1313mm |
| 030 | 2426011397 | - B C D - - - | Rubber gasket, wall bracket, L=1639mm |
| 030 | 2426011413 | - - - - - F G | Rubber gasket, wall bracket, L=704mm |
| 031 | 2426011173 | A - - - E - - | Wall bracket, white, 500mm |
| 031 | 2426010134 | - B C D - - - | Wall bracket, 110mm |
| 032 | 2426010001 | A B C D E - - | Tray, white |
| 032 | 2426013070 | - - - - - F G | Tray, complete, sealant |
| 033 | 2426011355 | - - C - - - - | Cover, tank, complete |
| 034 | 2426011058 | - - C - - - - | Tank |
| 035 | 2426011439 | - - C - - - - | Pump, with, connection wiring, 12V |
| 036 | 2426010795 | - - C - - - - | Reed, sensor |
| 050 | 2426012940 | A B C D E F G | Retainer, tray, sealant |
| 054 | 2426013104 | A B - D E F G | Valve, complete, horizontal |
| 099 | 2426011132 | A B C D E F G | User manual, CT3000, DE/EN |
| 099 | 2426011645 | A B C D E F G | User manual, installation, CT3000 |



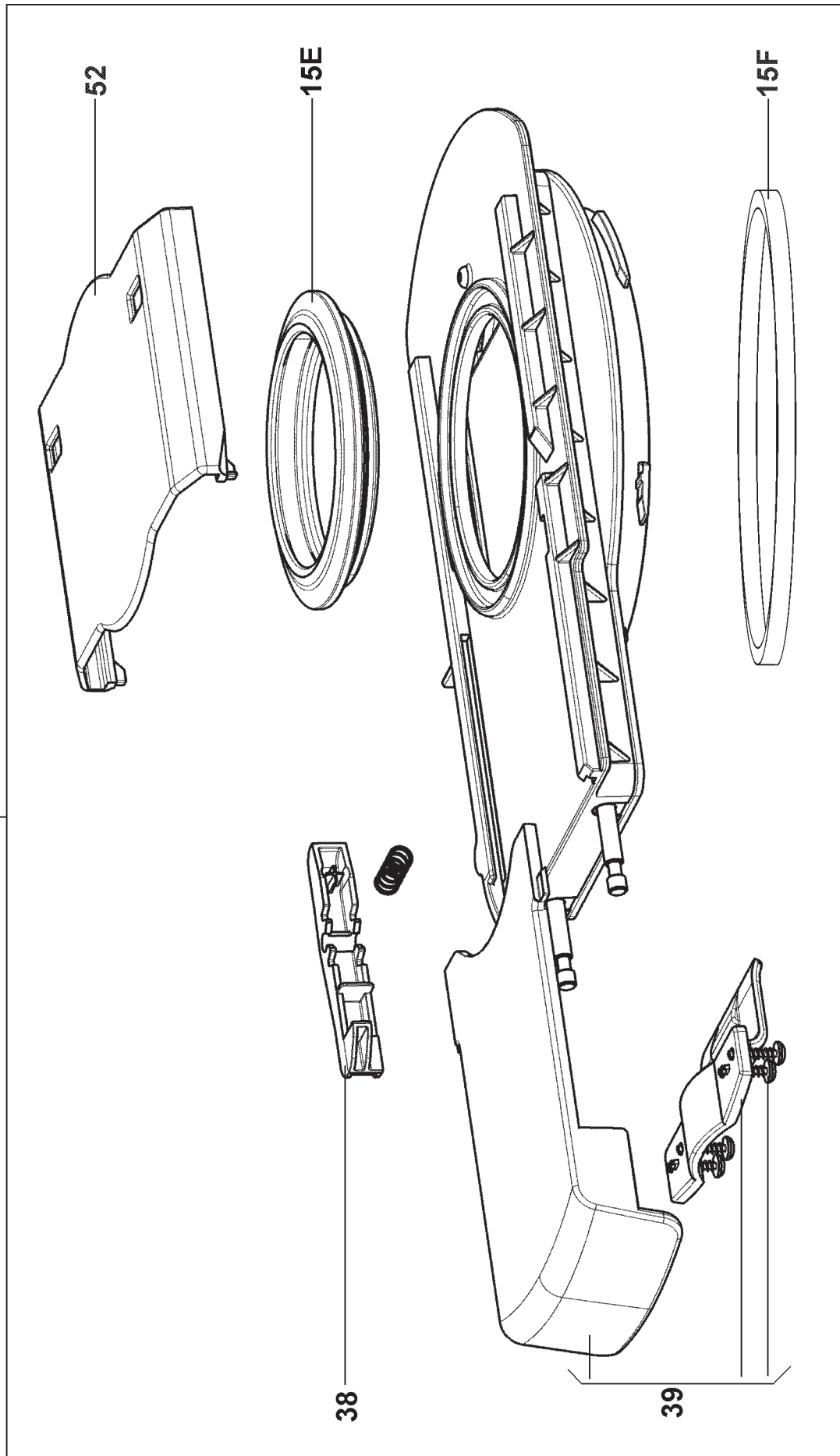
Nur die im Text aufgeführten Ersatzteile sind tatsächlich im Produkt!
 Only the spare parts which are listed are really in the product!

(N0CT3000T)

| Matrix | PNC | ELC | ProdDate | Model |
|--------|-----------|-----|----------|----------|
| A | 921000507 | 00 | 20071128 | CTLP3050 |
| B | 921000509 | 00 | 20080519 | CTS3110 |
| C | 921000510 | 00 | 20080519 | CTW3110 |
| D | 921000511 | 00 | 20080519 | CTS3110 |
| E | 921000512 | 00 | 20080519 | CTLP3110 |
| F | 921000513 | 00 | 20080826 | CT3110 |
| G | 921000514 | 00 | 20080826 | CT3110 |

| Pos | Part No. | Matrix | Description |
|------|------------|---------------|---------------------------------------|
| 005 | 2426001760 | A B C D E F G | Microswitch |
| 015G | 2426010282 | A B C D E F G | O-ring,discharge pipe,black |
| 015H | 2426012593 | A B C D E F G | O-ring,adaptor |
| 016 | 2426010266 | A B C D E F G | Locking cap,discharge pipe |
| 017 | 2426010472 | A B C D E F G | Retainer,cassette |
| 037 | 2426010720 | A B C D E F G | Slider,complete |
| 041 | 2426011801 | A B C D E F G | Button,ventilation,complete |
| 042 | 2426010456 | A B C D E F G | Grip,cassette |
| 043 | 2426010415 | A B C D E F G | Wheel,cassette |
| 044 | 2426011348 | A B C D E F G | Float,complete |
| 045 | 2426011470 | A B C D E F G | Adaptor,ventilation |
| 046 | 2426011785 | - B C D - - - | Retrofit kit,rails,toilet,CT(L)P 3110 |
| 047 | 2426012338 | - B C D - - - | Guide,rails,toilet |
| 048 | 2426010175 | A B C D E F G | Flap door,slider |
| 053 | 2426010670 | A - - - - - | Support,lower part,50 mm |
| 053 | 2426010126 | - B C D E F G | Support,lower part,110 mm |
| 820A | 2951766316 | - B C D - - - | Slider,air vent grid,white |

37



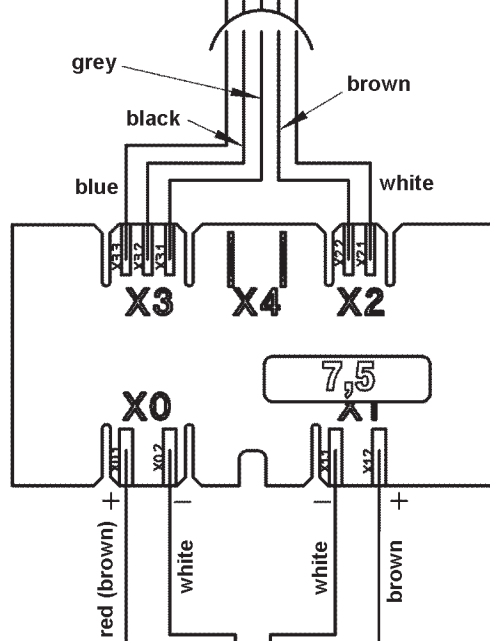
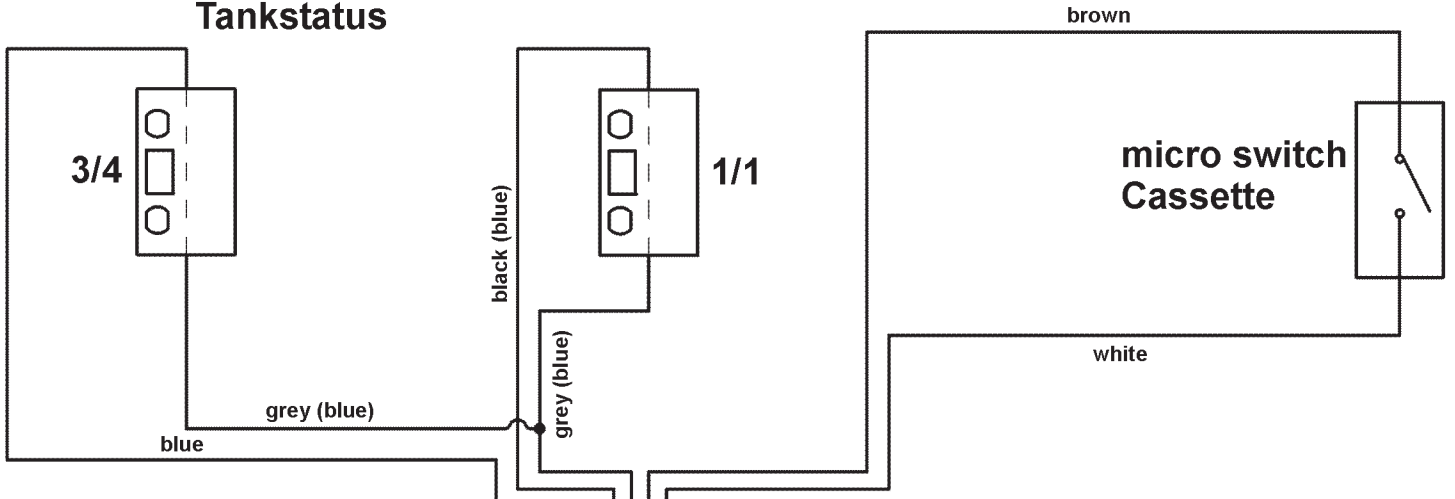
Nur die im Text aufgeführten Ersatzteile sind tatsächlich im Produkt!
Only the spare parts which are listed are really in the product!

(N0CT3000S)

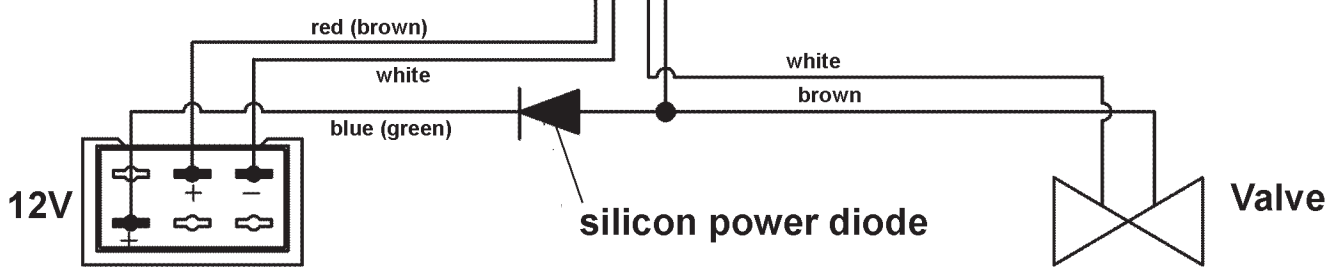
| Matrix | PNC | ELC | ProdDate | Model |
|--------|-----------|-----|----------|----------|
| A | 921000507 | 00 | 20071128 | CTLP3050 |
| B | 921000509 | 00 | 20080519 | CTS3110 |
| C | 921000510 | 00 | 20080519 | CTW3110 |
| D | 921000511 | 00 | 20080519 | CTS3110 |
| E | 921000512 | 00 | 20080519 | CTLP3110 |
| F | 921000513 | 00 | 20080826 | CT3110 |
| G | 921000514 | 00 | 20080826 | CT3110 |

| Pos | Part No. | Matrix | Description |
|------|------------|---------------|------------------------|
| 015E | 2426010365 | A B C D E F G | Seal,intake,black |
| 015F | 2426010522 | A B C D E - - | Seal,cassette,black |
| 015F | 2426012965 | - - - - - F G | Sealant,cassette,black |
| 037 | 2426010720 | A B C D E F G | Slider,complete |
| 038 | 2426010555 | A B C D E - - | Lock,slider |
| 038 | 2426013062 | - - - - - F G | Lock,slider |
| 039 | 2426011553 | A B C D E F G | Grip,complete,slider |
| 052 | 2426011611 | A B C D E F G | Cover,intake |

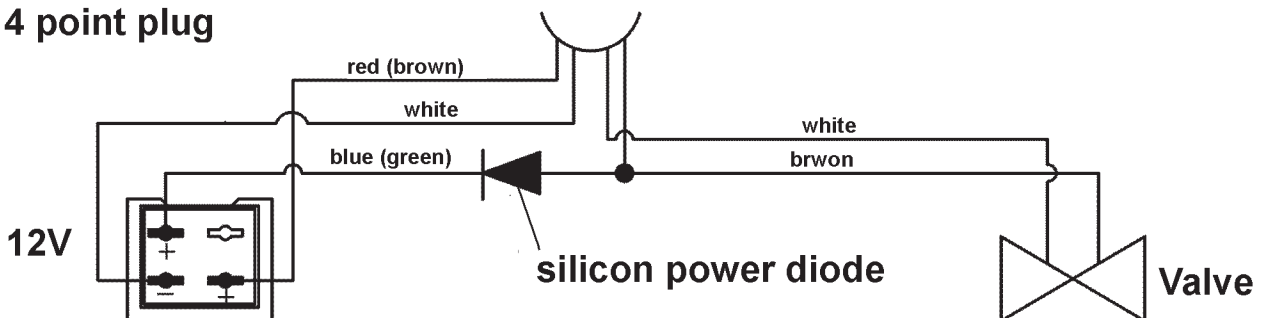
**Reedswitch
Tankstatus**



6 point plug



4 point plug



N242601150

Blau
Braun
Grau
Rot
Schalter
Schwarz
Ventil
Weiss

Blue
Brown
Grey
Red
Switch
Black
Valve
White