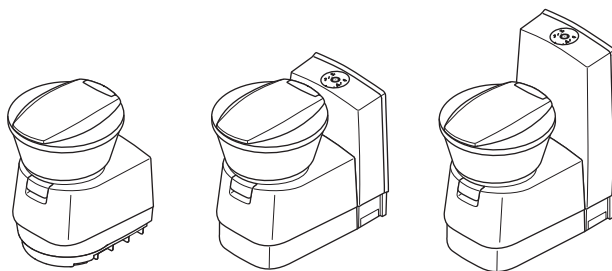


↗ DOMETIC SANITATION TOILETS



CT4050, CTLP4110, CTS4110

EN

Cassette toilet
Operating manual

Please read this instruction manual carefully before first use, and store it in a safe place. If you pass on the product to another person, hand over this instruction manual along with it.

Table of contents

1	Explanation of symbols	5
2	Safety instructions	6
2.1	General safety	6
2.2	Use of sanitary additives	6
3	Intended use	7
4	Technical description	7
4.1	Description of the components	8
4.2	Control and display elements	9
5	Using the toilet	9
5.1	Sanitary accessories	10
5.2	Preparing the cassette tank	10
5.3	Using the toilet	12
5.4	Draining the cassette tank	14
5.5	Positioning the toilet seat	17
5.6	Winter operation	17
5.7	Shutting down	18
6	Cleaning and maintenance	18
6.1	Greasing the slider	19
6.2	Releasing the slider from the cassette	20
6.3	Greasing the cassette seal	21
6.4	Cleaning the bayonet fitting and greasing the bayonet seal	22
6.5	Greasing the O-ring of the cassette vent	23
7	Maintenance	23
7.1	Spare parts	23
7.2	Removing and replacing the lid and seat	24
7.3	Replacing the cassette seal	25
7.4	Replacing the bayonet seal	27
7.5	Replacing the fuse in the operating unit	28
7.6	Replacing the wheels on the cassette tank	29

8	What to do in case of problems	30
9	Warranty	30
10	Disposal	31
11	Technical data	31

1 Explanation of symbols



WARNING!
Safety instruction: Failure to observe this instruction can cause fatal or serious injury.



CAUTION!
Safety instruction: Failure to observe this instruction can lead to injury.



NOTICE!
Failure to observe this instruction can cause material damage and impair the function of the product.



NOTE
Supplementary information for operating the product.

2 Safety instructions

The manufacturer accepts no liability for damage in the following cases:

- Damage to the product resulting from mechanical influences and excess voltage
- Alterations to the product without express permission from the manufacturer
- Use for purposes other than those described in the operating manual

The declaration of conformity can be requested from the manufacturer (contact information on the back).

2.1 General safety



WARNING!

- This device can be used by children aged 8 years or over, as well as by persons with diminished physical, sensory or mental capacities or a lack of experience and knowledge, providing they are supervised, or have been taught how to use the device safely and are aware of the resulting risks.
- Cleaning and user maintenance must not be carried out by unsupervised children.
- Children must be supervised to ensure that they do not play with the device.



NOTICE!

- Do not shake the cassette tank vigorously.
- Do not hang the cassette tank on a bicycle or other vehicle for transportation.
- Do not use antifreeze. These agents may damage the cassette toilet.
- The toilet is designed for a person weighing no more than 130 kg.

2.2 Use of sanitary additives



CAUTION!

- Store the sanitary accessories so that children cannot access them.



NOTICE!

- When using sanitary additives for use and cleaning of the toilet, pay attention to the instructions for use on the packaging.

3 Intended use

The toilet is designed for installation and use in recreational vehicles such as camper vans or motor caravans.

4 Technical description

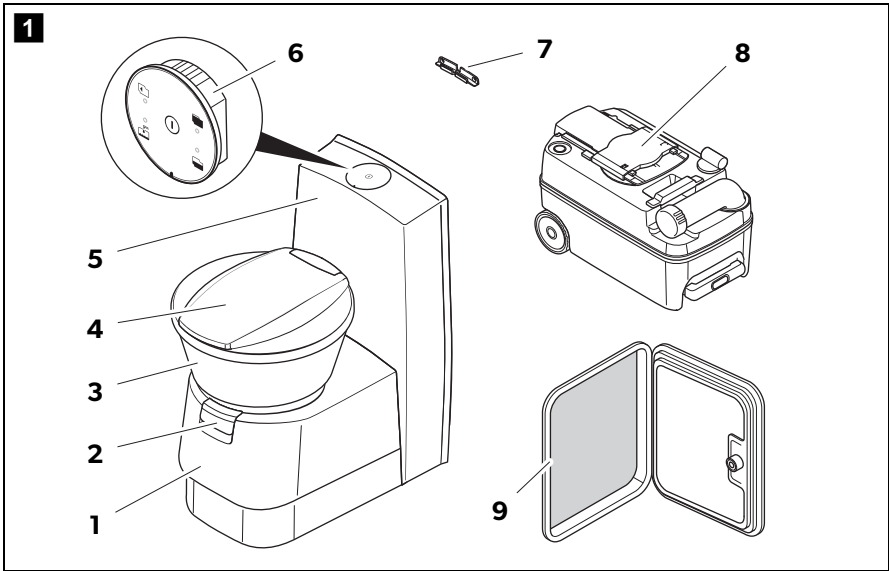
The cassette toilet CTx 4xxx consists of a toilet permanently installed in the vehicle and a removable, mobile cassette as a holding tank. The cassette is externally accessible through a door. Depending on the model, the toilet is supplied with rinse water from the vehicle-side freshwater tank or a tank integrated in the housing.

The following model versions of the toilet are available:

- **CT4050**: detached, without water tank, without console
- **CTLP4110**: detached, without water tank, low console
- **CTS4110**: detached, without water tank, with console

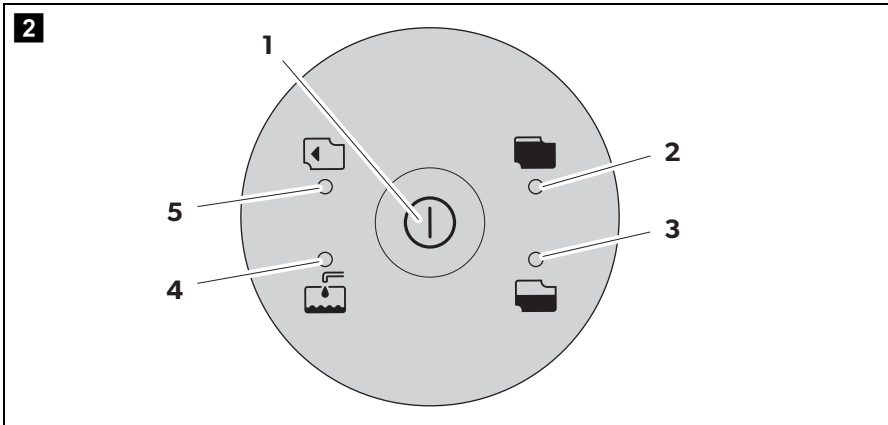
The 4050 models can be installed in a wet room.

4.1 Description of the components








No. in fig. 1	Designation
1	Housing for cassette tank
2	Draining slider for toilet bowl
3	Toilet bowl, ceramic
4	Lid and seat, rotatable
5	Console
6	Control and operating panel
7	CTLP, CTS only: Wall bracket
8	Cassette tank (capacity 19 l)
9	Service door (accessories)

4.2 Control and display elements



No. in fig. 2 Label

1		Flush button
2		"Cassette tank full" indicator
3		"Cassette tank 3/4 full" indicator
4		"Fill freshwater tank" indicator (Not always connected when using the on-board tanks)
5		"Cassette tank removed" indicator

5 Using the toilet



NOTE

- Before putting the toilet into operation, you should clean inside and outside with a soft cloth and lukewarm water with a mild cleaning agent (also refer to chapter "Cleaning and maintenance" on page 18).
- Clean and grease the seals of your toilet regularly (see chapter "Cleaning and maintenance" on page 18).
- Conventional toilet paper can clog the toilet. Use a special fast-dissolving toilet paper.
The manufacturer recommends Dometic COMFORT CARE.

5.1 Sanitary accessories

Sanitary additives for the holding tank decompose faeces and prevent unpleasant odours.

The manufacturer recommends:

- Dometic POWER CARE TABS
- Dometic GREEN CARE TABS

When using sanitary additives, please note the instructions for use on the packaging.



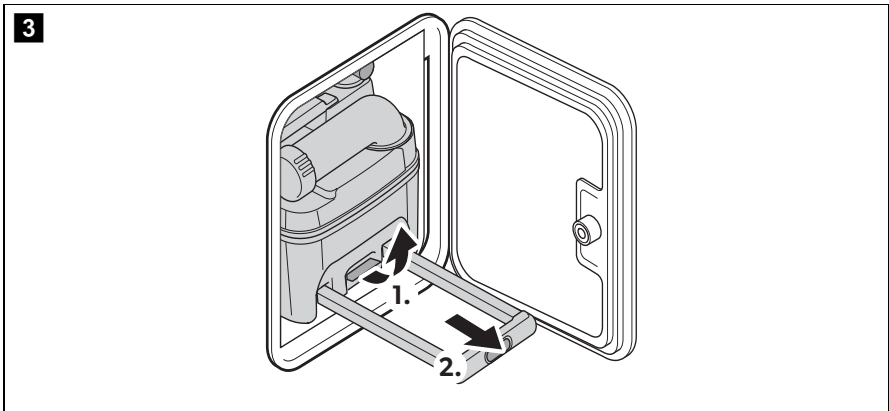
NOTE

Conventional toilet paper can clog the toilet. Use a special fast-dissolving toilet paper. The manufacturer recommends Dometic COMFORT CARE.

On the Dometic website (see back page) you can find further information about sanitary accessories.

5.2 Preparing the cassette tank

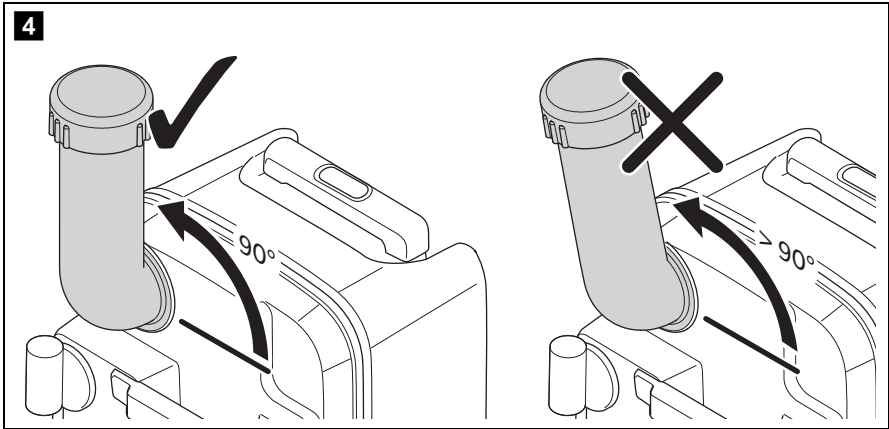
Removing the cassette tank



Proceed as follows (fig. **3**):

- Open the service door.
- Push the catch upward to unlock the cassette tank.
- Pull the cassette tank out of the cassette housing. When pulling out the tank, resistance has to be overcome.

Adding sanitary additive

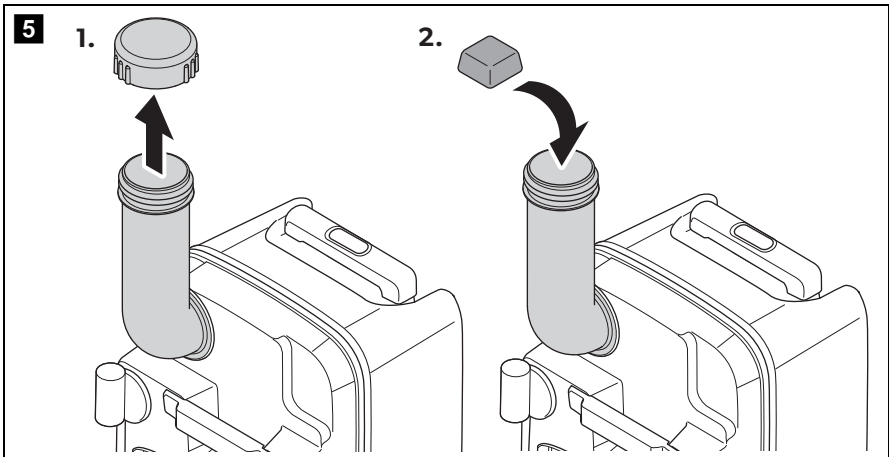


- Position the cassette tank upright.
- Rotate the drain pipe approx. 90° upward (fig. 4).



NOTE

Avoid turning the drain pipe more than 90°, as it otherwise can come off (fig. 4).



- Twist off the cap (fig. 5 1).
- Add sanitary additive into the cassette tank via the drain pipe (fig. 5 2).
Observe the instructions for the sanitary additive.

Pushing the cassette tank into the cassette housing



NOTICE!

Ensure that the cassette tank can be pushed into the cassette housing easily. Make sure that the cassette tank does not bump into other objects or components.

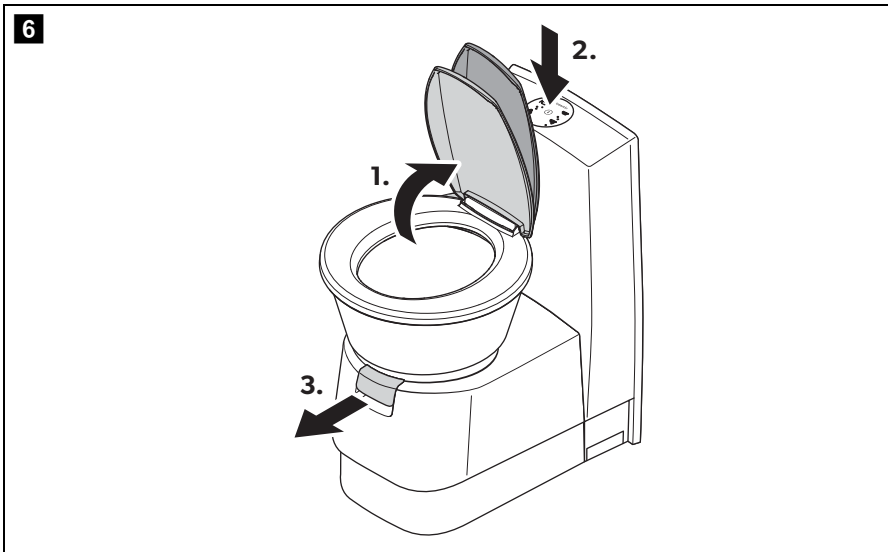
- ▶ Slide the cassette tank all the way into the cassette housing.
- ✓ The cassette tank lock locks by itself upon being pushed in.
- ▶ Check that the cassette tank is securely installed.
- ▶ Close and lock the service door.

5.3 Using the toilet



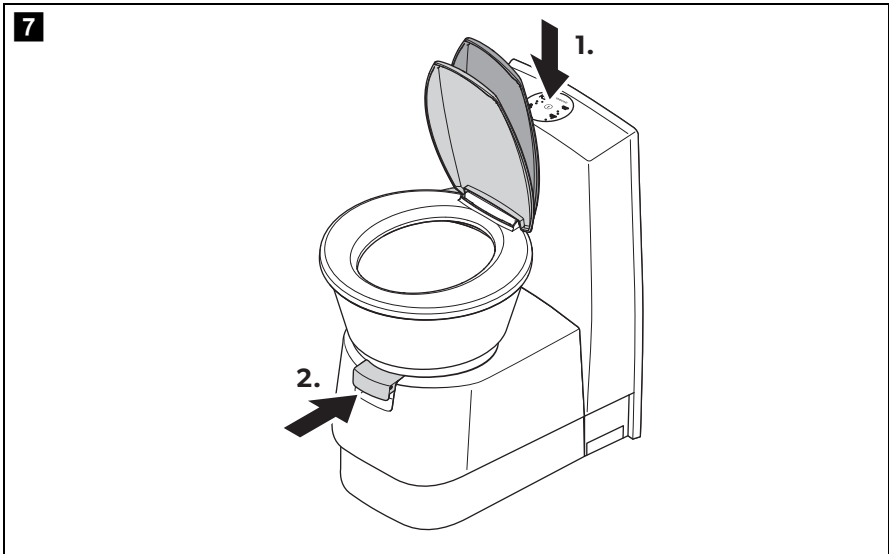
NOTE

The slider must be closed while driving, and no liquid should be above the slider.




The toilet lid remains in a position of approximately 70° (fig. **7**).

- Before use, press the flush button ① to allow some water to run into the bowl (fig. 6 2).
- Pull the slider (fig. 6 3) forward. Leave the slider open during use.



- After use, press the flush button ① again to rinse the bowl (fig. 7 1).
- Close the slider (fig. 7 2).

The cassette tank has a capacity of 19 l. When the indicator  lights up, the toilet can only be used a few more times.



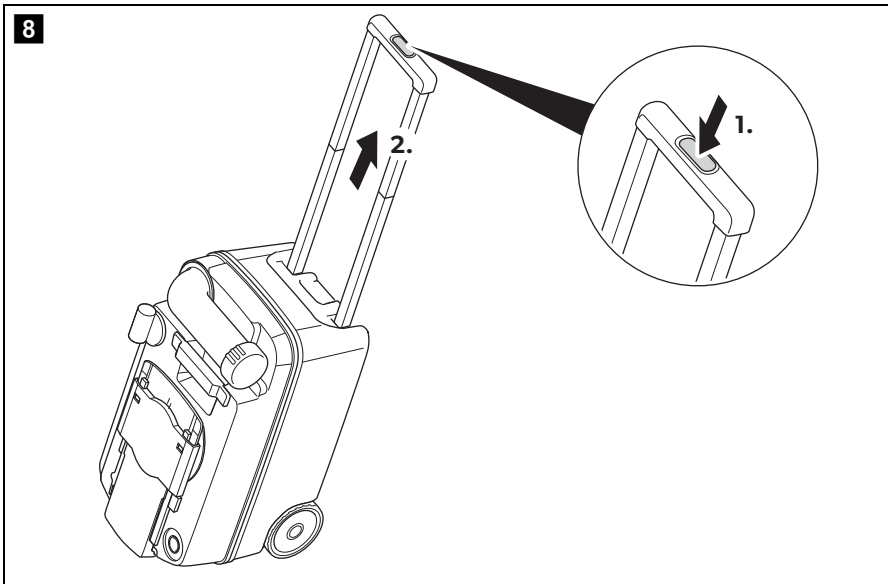
NOTE

With a 3/4-filled cassette, use is only possible when the slider is open. With a tilted position (such as lasting inclination of the vehicle), the cassette may only be 3/4 full. Overflowing through the vent is possible.

5.4 Draining the cassette tank

Empty the cassette tank when the indicator  lights up.

- Remove the cassette tank (chapter “Removing the cassette tank” on page 10).



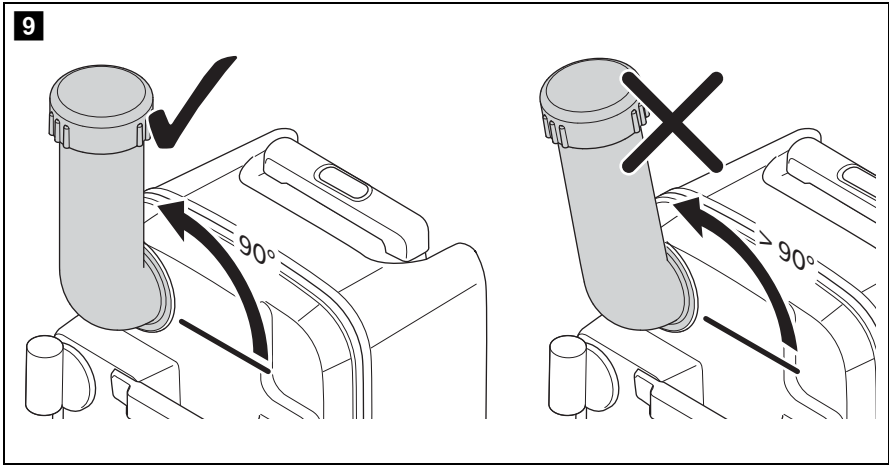
- Press the release button in the middle of the handle and pull the handle out to its end position (fig. **8**).



NOTICE!

- Do not shake the cassette tank vigorously.
- Do not hang the cassette tank on a bicycle or other vehicle for transportation.
- Do not place heavy objects on the cassette tank during transport. This can damage the housing and rollers.

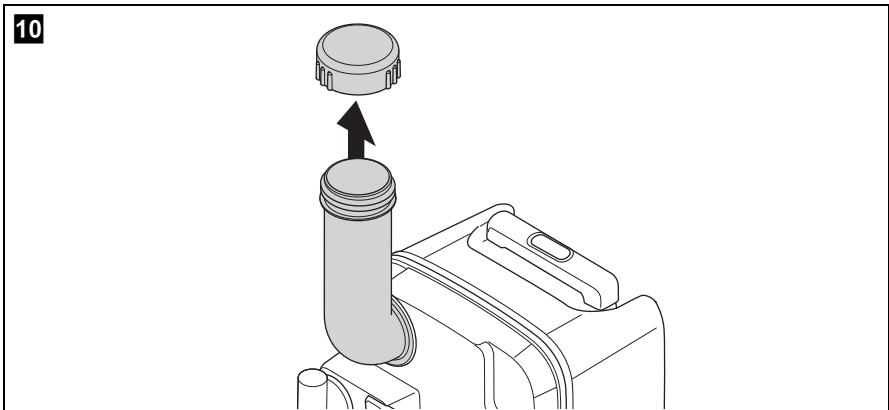
- Bring the tank to the nearest designated disposal location.
- Press the release button in the middle of the handle and push the handle back into the cassette.



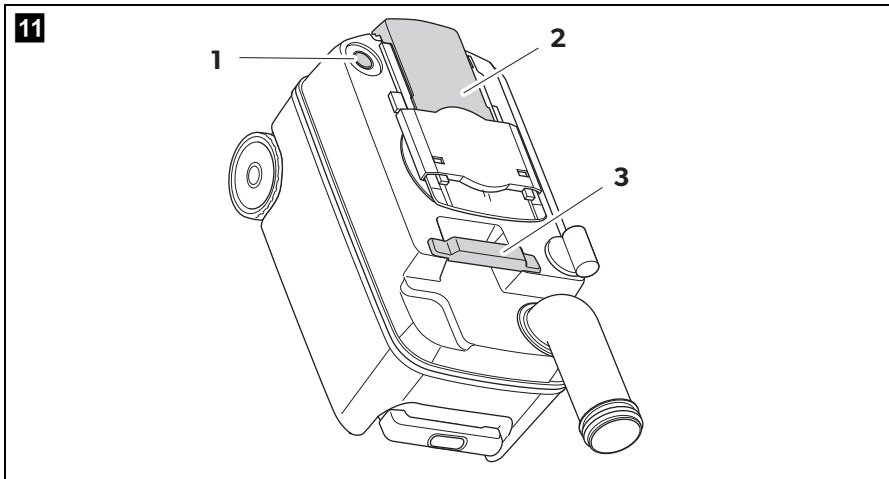
- Set the cassette tank upright and rotate the drain pipe 90° upward (fig. **9**).

**NOTE**

Avoid turning the drain pipe more than 90°, as it otherwise can come off.



- Twist off the cap (fig. **10**).



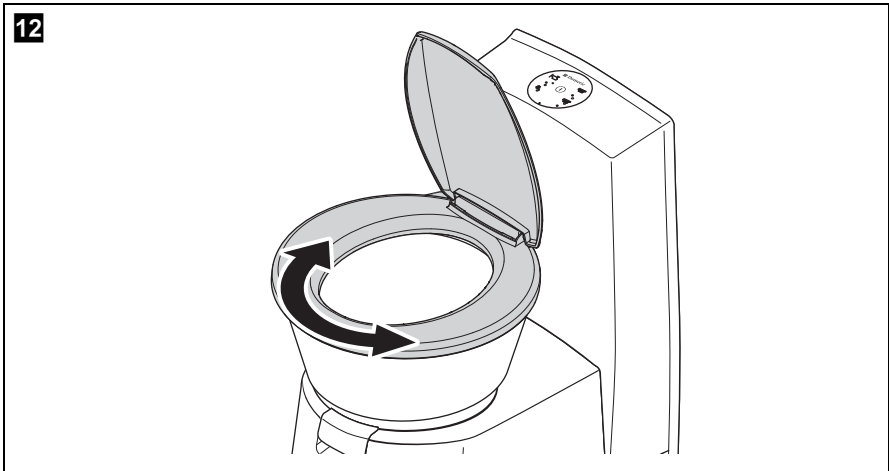
- Hold the cassette tank by the handle with one hand (fig. 11 3) and with the other hand on the slider (fig. 11 2), so that you can push the vent button (fig. 11 1) while it is draining.
- Press the vent button when the drain pipe points downwards.
- ✓ The tank drains steadily and without splashing.
- After draining, rinse out the cassette tank carefully.
- Add a sanitary additive to the cassette (chapter "Adding sanitary additive" on page 11).
- Clear away course dirt from the wheels of the cassette tank to prevent scratching of the cassette housing.

**NOTICE!**

Do not clean the inside of the cassette tank with a high-pressure cleaner. This can damage the float for the level indicator.

- Push the cassette tank into the cassette housing (chapter "Pushing the cassette tank into the cassette housing" on page 12).

5.5 Positioning the toilet seat



The toilet seat can be swivelled continuously (fig. **12**).

5.6 Winter operation



NOTICE!

Do not use antifreeze. Antifreeze may damage the cassette toilet.

You can also use the cassette toilet in the winter, as long as the toilet and cassette tank are in a frost-free area.

If this is not the case, empty the freshwater tank, the cassette tank and the water line of the freshwater supply.

This will prevent damage by frost (chapter "Shutting down" on page 18).

5.7 Shutting down

Drain the freshwater tank and the water supply system completely if you are going to take the toilet out of service for an extended period of time.

- Clean the toilet carefully (chapter “Cleaning and maintenance” on page 18).
- Operate the flush button until no more water is in the pipes.
- Interrupt the power supply to the toilet.
- Then drain the cassette tank and rinse it out carefully. Clean the cassette. To allow the cassette tank to dry, do not close the drain pipe.
- Clean and grease all seals and moving parts of the toilet and the cassette tank (chapter “Cleaning and maintenance” on page 18) and repeat this operation before putting the toilet back into service.

6 Cleaning and maintenance



CAUTION!

Cleaning agents for the toilet may not contain chlorine or alcohol!



NOTICE!

- To prevent material changes, do not use hard, abrasive or soda-based cleaning agents (scouring agents).
- Do not use polish for cleaning.



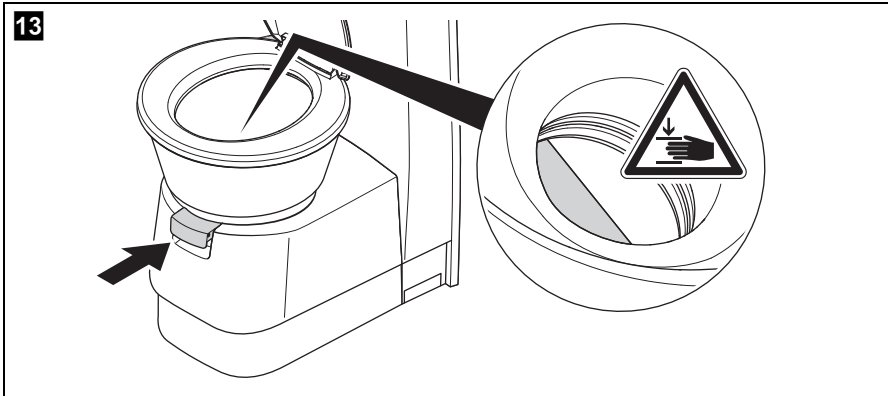
NOTE

- Clean and grease all seals on the toilet and cassette tank regularly. In case of frequent use, perform these actions monthly or after 3 – 5 drainings of the cassette. Use grease or silicone-based spray.
- For regular cleaning of the toilet bowl, use a mild colourless cleaning agent.

- Clean the toilet regularly inside and out with a soft cloth and lukewarm water with a mild cleaning agent.
- Then wash the surfaces with clear water.

The manufacturer recommends:

- Grease: OKS[®] 1110
- Silicone spray: OKS[®] 1111



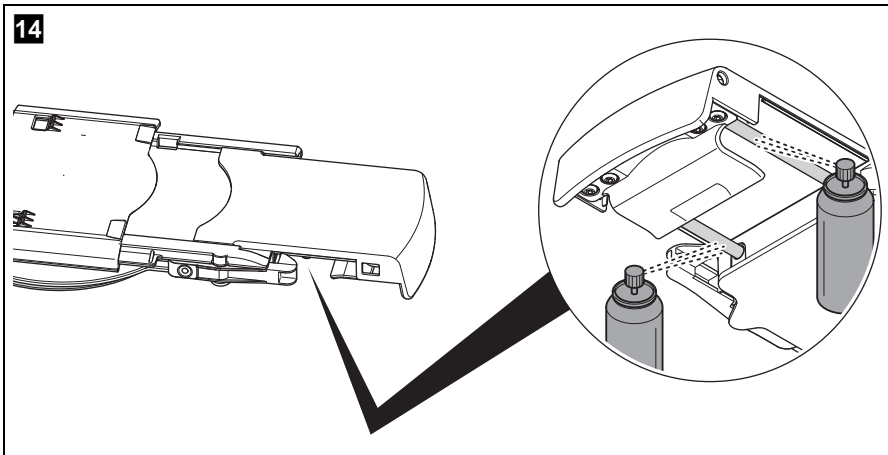
CAUTION!

When the slider is closed during cleaning or greasing, there is a risk of crushing body parts (fig. 13).

The slide moves smoothly when it is regularly lubricated.

6.1 Greasing the slider

Greasing the slider rods



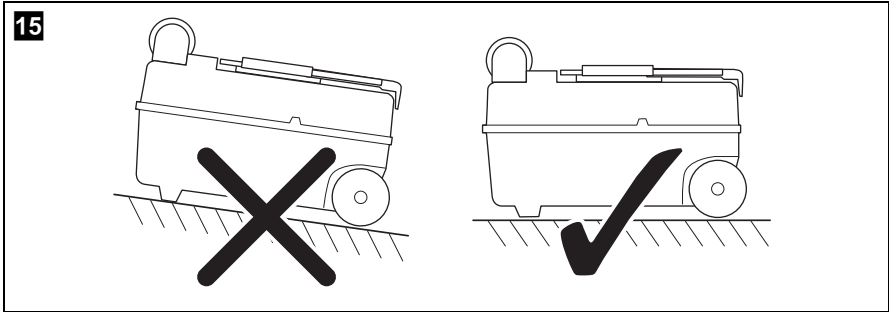
- Spray the rods of the slider with silicone spray (fig. 14).

6.2 Releasing the slider from the cassette

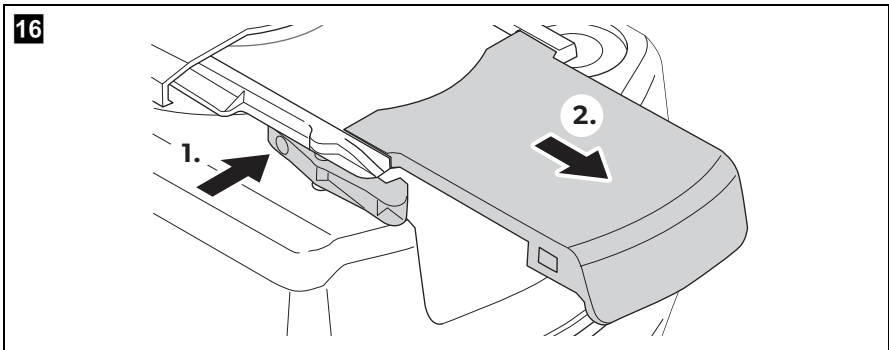


CAUTION!

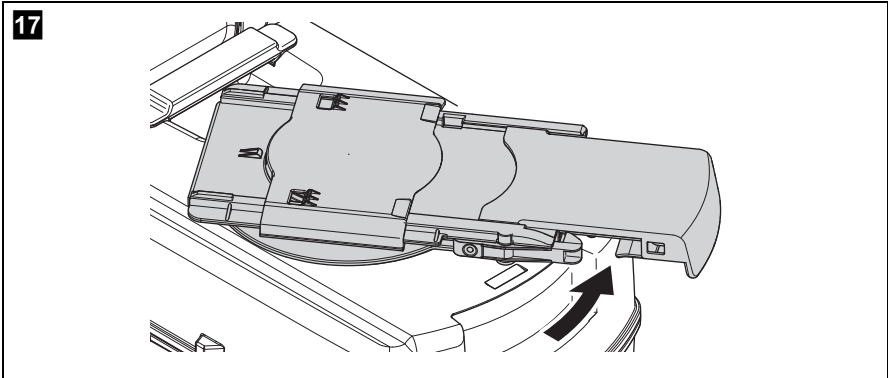
When the slider is closed during cleaning or greasing, there is a risk of crushing body parts.



- Remove the cassette tank and place it on a firm surface (fig. 15).



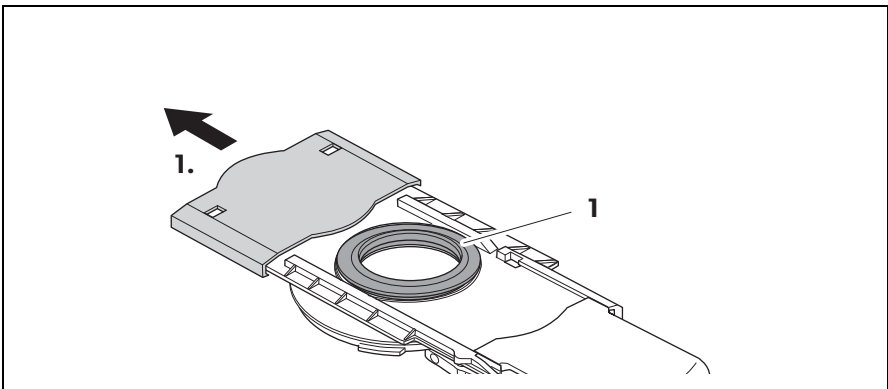
- Unlatch the slider handle and pull it out. (fig. 16).



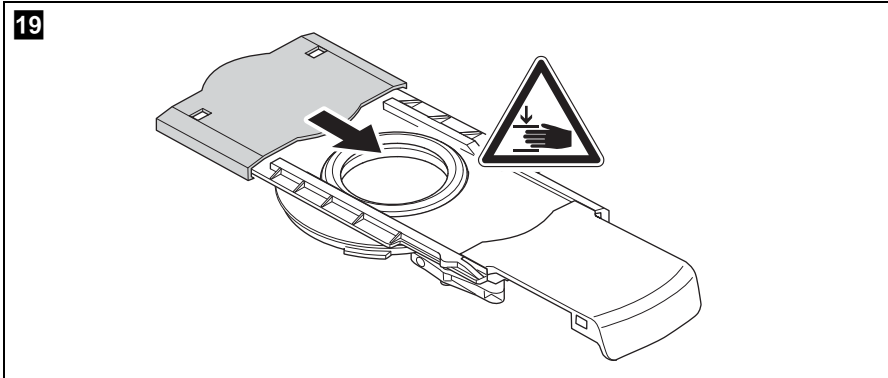
- Turn the slider anti-clockwise and release it from the cassette (fig. **17**).
In the state upon delivery and after extended use, the bayonet fitting can be loosened only with difficulty.

6.3 Greasing the cassette seal

- Release the slider from the cassette (chapter “Releasing the slider from the cassette” on page 20).



- Push back the cover so that the seal is accessible (fig. **18**).
- Clean and grease the seal (fig. **18** 1).



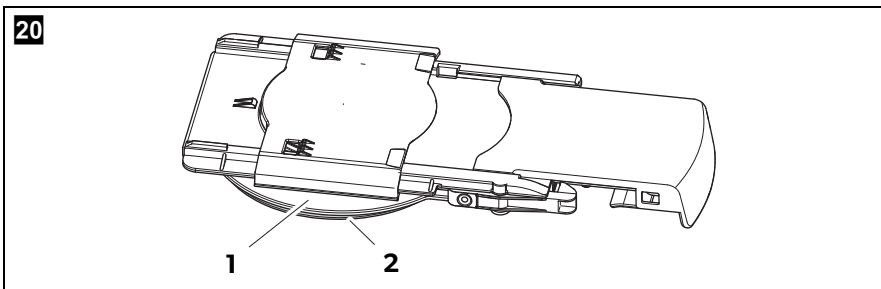
CAUTION! Danger of crushing!

Do not reach into the opening when you close the cover.

- Close the cover (fig. 19).
- Place the slider back on.

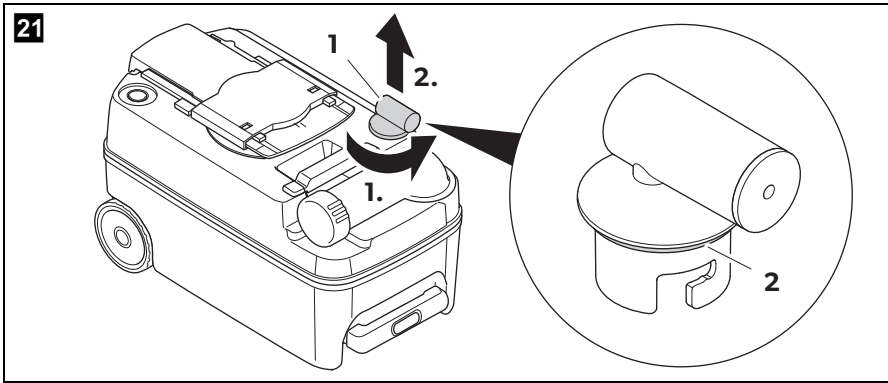
6.4 Cleaning the bayonet fitting and greasing the bayonet seal

- Release the slider from the cassette (chapter "Releasing the slider from the cassette" on page 20).



- Clean the bayonet fitting (fig. 20 1) on the slider.
- Uniformly grease the bayonet seal (fig. 20 2) with silicone grease.
- Place the slider back on.

6.5 Greasing the O-ring of the cassette vent



- Take the adapter (fig. 21 1) off the cassette.
- Grease only the attached O-ring (fig. 21 2) with silicone grease.

7 Maintenance

This chapter describes maintenance that may be performed by the user. Have all other maintenance and service work performed by qualified personnel.

7.1 Spare parts

Spare parts can be obtained from the customer service of the respective country.

All the accessories are available from specialist dealers. If you have any questions, please contact the dealer or your service partner directly.

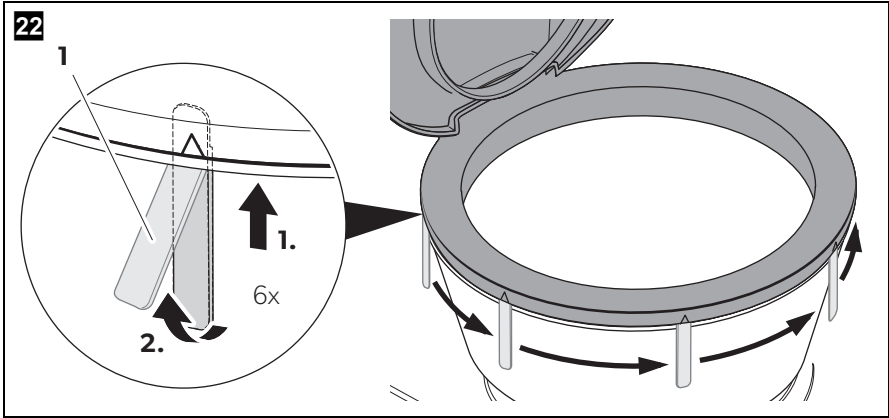
7.2 Removing and replacing the lid and seat



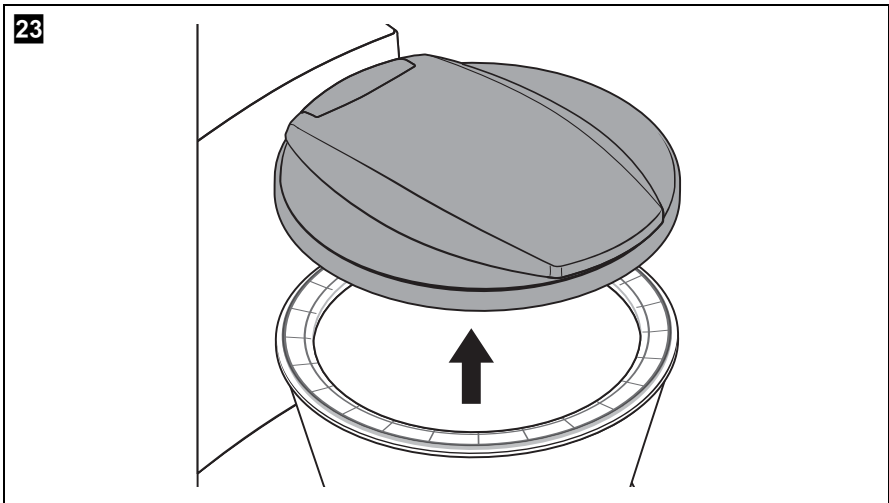
NOTE

The manufacturer accepts no liability for damage resulting from incorrect or faulty installation.

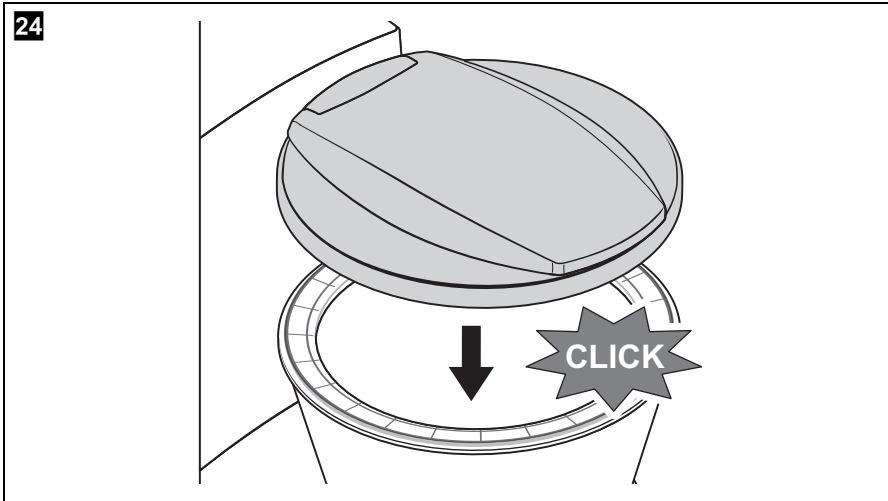
The required tools are included with the manuals. For the exchange of lid and seat, use the Dometic Renew Kit for CT 3000/CT 4000 (ref. no. 9600000458).



► Release the toilet seat (fig. **22**).



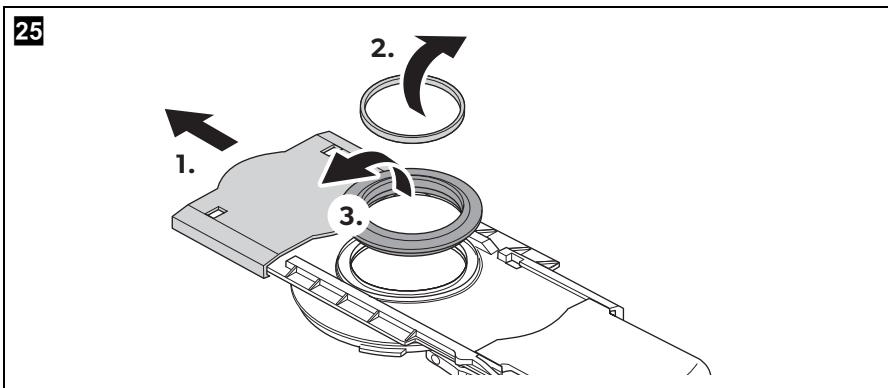
► Remove the toilet seat (fig. **23**).



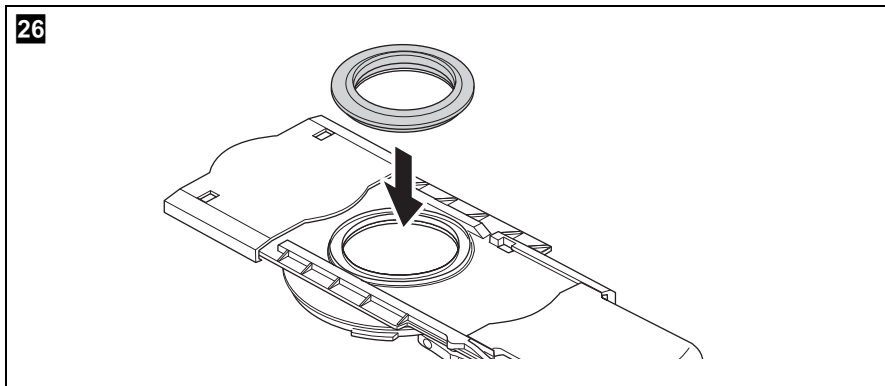
- Position the new toilet seat and press it down until it latches in place (fig. 24).

7.3 Replacing the cassette seal

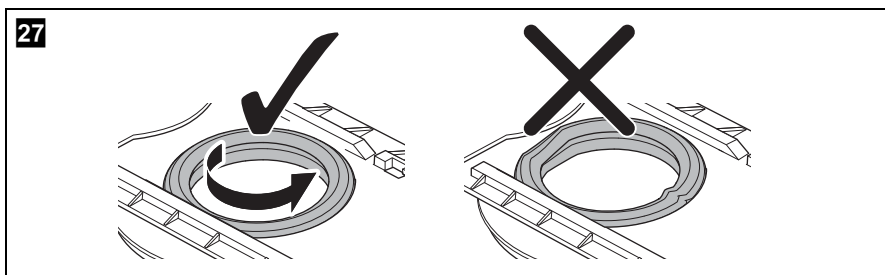
- Release the slider from the cassette (chapter “Releasing the slider from the cassette” on page 20).



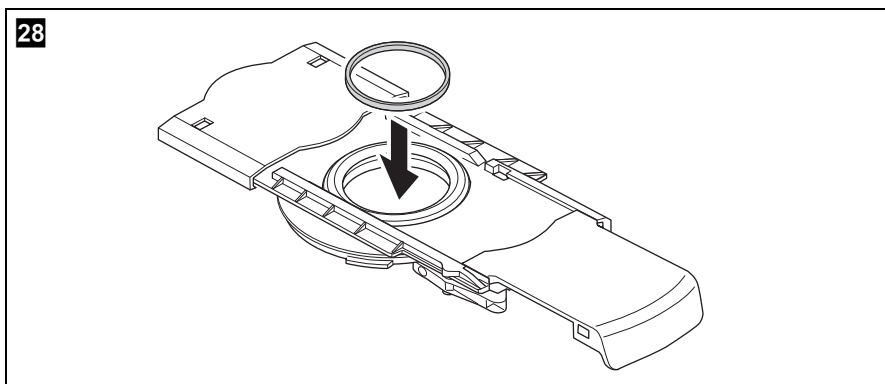
- Push back the cover so that the seal is accessible (fig. 25).
- Remove the support ring and the seal (fig. 25).



► Insert the new seal (fig. 26).

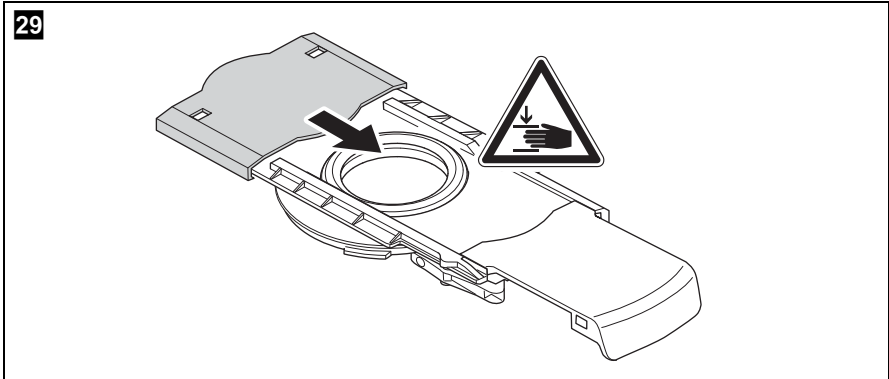
**NOTICE!**

The seal must be positioned uniformly in the opening (fig. 27) so that the cassette is sealed and the slider can move easily.



► Insert the support ring (fig. 28).

- Grease all areas.



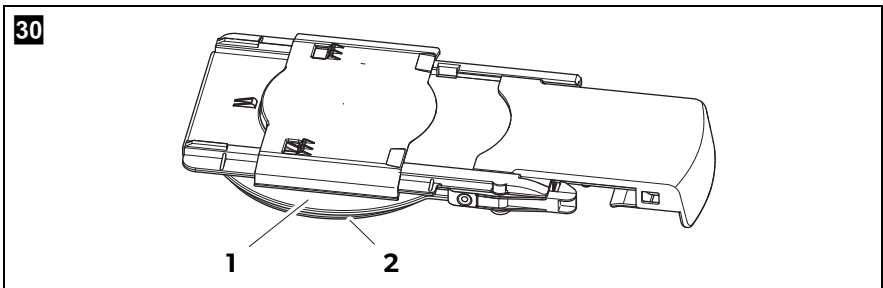
CAUTION! Danger of crushing!

Do not reach into the opening when you close the cover.

- Close the cover (fig. 29).
- Place the slider back on.

7.4 Replacing the bayonet seal

- Release the slider from the cassette (chapter "Releasing the slider from the cassette" on page 20).



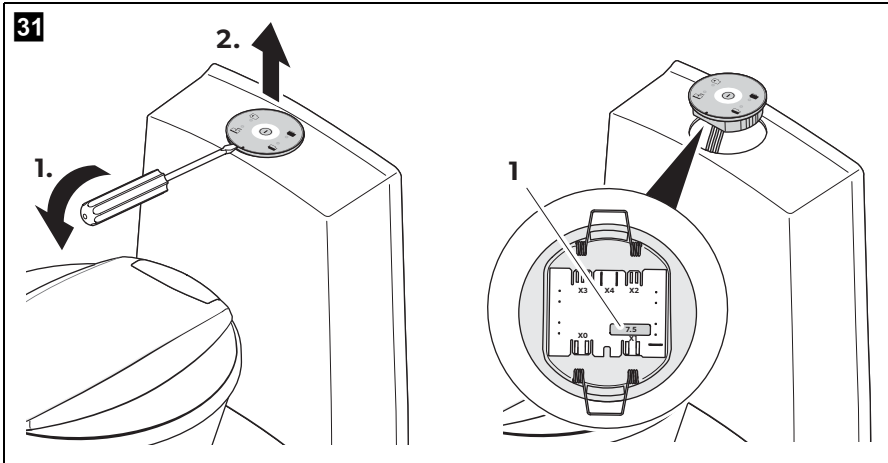
- Remove the old seal (fig. 30 2).
- Clean the bayonet fitting.
- Insert the new seal.
- Ensure uniform seating of the new seal.
- Place the slider back on the cassette.

7.5 Replacing the fuse in the operating unit



CAUTION!

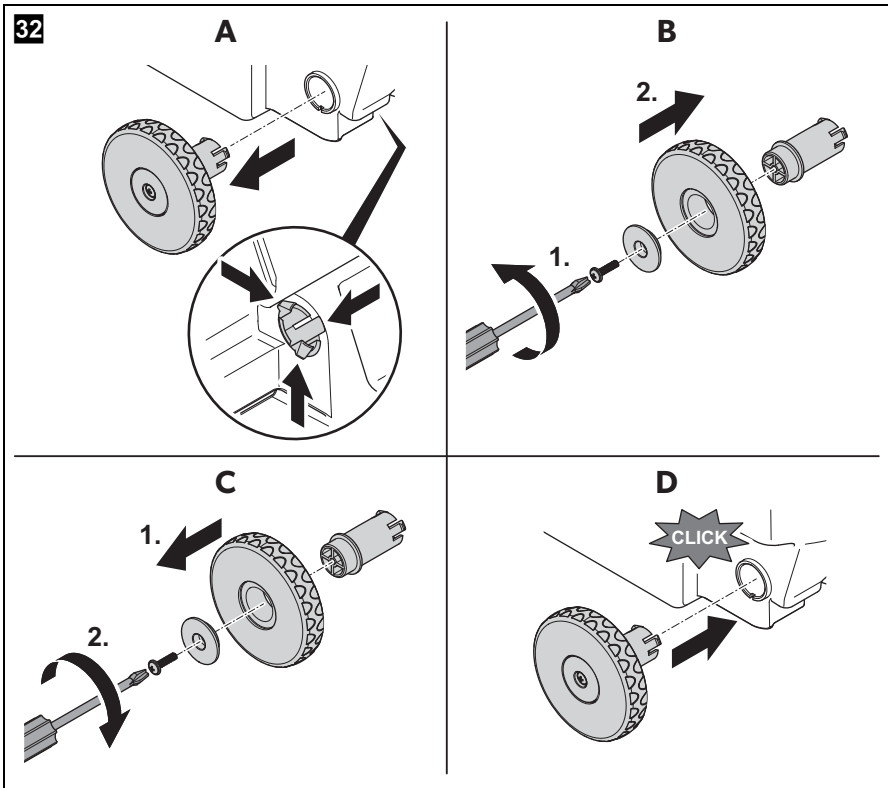
- Switch off the voltage supply before you start!
- Carefully pull the control unit out of the wall opening. There is a risk of injury due to the springs springing back!



- ▶ Lift the control unit with a suitable tool and then pull it out of the bracket or wall (fig. **31**).
- ▶ Replace the fuse (automotive fuse: 7.5 A) on the bottom of the control unit (fig. **31** 1).

7.6 Replacing the wheels on the cassette tank

The wheels on the cassette tank can be replaced individually if required:



- Remove the old wheel as shown (fig. **32** A B).
- Mount the new wheel as shown (fig. **32** C D).
- Ensure that the wheel moves freely.

8 What to do in case of problems

Dometic offers a Europe-wide service network. Authorized customer service centres are available on the Internet on the website **dometic.com**.

When contacting customer service, please make a note of the following information on the type plate:

- Model Designation
- Product Number
- Serial No.
- MLC



NOTE

You can find the type plate in the cassette housing after removal of the cassette.

Fault	Possible cause	Remedy
Toilet no longer flushes.	Faulty fuse. Cassette not inserted. Cassette full. No power supply. Electronics defective. Pump defective. Solenoid valve defective. Screen of solenoid valve is dirty.	Replace the fuse (see chapter "Replacing the fuse in the operating unit" on page 28). If there are repeated failures, check the electrical connections! Replace defective parts.
Cassette tank leaks.	Seal worn.	Replace the cassette seal (see chapter "Replacing the cassette seal" on page 25).
No level indication.	The float in the cassette tank is hung up or jammed by toilet paper.	Clean the float in the cassette. Do not use a high-pressure cleaner!

9 Warranty

The statutory warranty period applies. If the product is defective, please contact your retailer or the manufacturer's branch in your country (see the back of the instruction manual for the addresses).

For repair and guarantee processing, please include the following documents when you send in the device:

- A copy of the receipt with purchasing date
- A reason for the claim or description of the fault




10 Disposal

- ▶ Place the packaging material in the appropriate recycling waste bins wherever possible.



If you wish to finally dispose of the product, ask your local recycling centre or specialist dealer for details about how to do this in accordance with the applicable disposal regulations.

11 Technical data

	CT4000
Input voltage:	12 V $\overline{---}$
Current consumption:	Max. 2 A with internal pump Max. 5 A with external pump
Max. person weight:	130 kg
Operating temperature:	0 °C to +50 °C
Capacity:	19 l (cassette tank)
Test mark:	   10 R-047317



NOTE

Water supply (for vehicle-side pump):

The toilet requires a minimum of 7 l/min provided by the vehicle at the outlet of the toilet hose connection in order to ensure a satisfactory flushing output of 5 l/min.

AUSTRALIA**Dometic Australia Pty. Ltd.**

1 John Duncan Court - Varsity Lakes QLD 4227

☎ 1800 212121 - 📠 +61 7 55076001

Mail: sales@dometic.com.au

dometic.com**AUSTRIA****Dometic Austria GmbH**

Neudorferstraße 108

A-2353 Guntramdsdorf

☎ +43 2236 908070

☎ +43 2236 90807060

Mail: info@dometic.at

BENELUX**Dometic Branch Office Belgium**

Zincstraat 3

B-1500 Halle

☎ +32 2 3598040

☎ +32 2 3598050

Mail: info@dometic.be

BRAZIL**Dometic DO Brasil LTDA**

Avenida Paulista 1754, conj. 111

SP 01310-920 Sao Paulo

☎ +55 11 3251 3352

☎ +55 11 3251 3362

Mail: info@dometic.com.br

DENMARK**Dometic Denmark A/S**

Nordensvej 15, Taulov

DK-7000 Fredericia

☎ +45 75585966

☎ +45 75586307

Mail: info@dometic.dk

FINLAND**Dometic Finland OY**

Mestariintie 4

FIN-01730 Vantaa

☎ +358 20 7413220

☎ +358 9 7593700

Mail: info@dometic.fi

FRANCE**Dometic SAS**

ZA du Pré de la Dame Jeanne

B.P. 5

F-60128 Plailly

☎ +33 3 44633525

☎ +33 3 44633518

Mail : vehiculesdeloisirs@dometic.fr

GERMANY**Dometic WAECO International GmbH**

Hüllefeldstraße 63

D-48282 Emsdetten

☎ +49 (0) 2572 879-0

☎ +49 (0) 2572 879-300

Mail: info@dometic-waeco.de

HONG KONG**Dometic Group Asia Pacific**

Suites 2207-11 - 22/F - Tower 1

The Gateway - 25 Canton Road,

Tsim Sha Tsui - Kowloon

☎ +852 2 4611386

☎ +852 2 4665553

Mail: info@waeco.com.hk

HUNGARY**Dometic Zrt. Sales Office**

Kerékgyártó u. 5.

H-1147 Budapest

☎ +36 1 468 4400

☎ +36 1 468 4401

Mail: budapest@dometic.hu

ITALY**Dometic Italy S.r.l.**

Via Virgilio, 3

I-47122 Forlì (FC)

☎ +39 0543 754901

☎ +39 0543 754983

Mail: vendite@dometic.it

JAPAN**Dometic KK**

Maekawa-Shibaura, Bldg. 2

2-13-9 Shibaura Minato-ku

Tokyo 108-0023

☎ +81 3 5445 3333

☎ +81 3 5445 3339

Mail: info@dometic.jp

MEXICO**Dometic Mx, S. de R. L. de C. V.**

Circuito Médicos No. 6 Local 1

Colonia Ciudad Satélite

CP 53100 Naucalpan de Juárez

Estado de México

☎ +52 55 5374 4108

☎ +52 55 5393 4683

Mail: info@dometic.com.mx

NETHERLANDS**Dometic Benelux B.V.**

Ecustraat 3

NL-4879 NP Etten-Leur

☎ +31 76 5029000

☎ +31 76 5029019

Mail: info@dometic.nl

NEW ZEALAND**Dometic New Zealand Ltd.**

PO Box 12011

Penrose

Auckland 1642

☎ +64 9 622 1490

☎ +64 9 622 1573

Mail: customerservices@dometic.co.nz

NORWAY**Dometic Norway AS**

Østerøyveien 46

N-3232 Sandefjord

☎ +47 33428450

☎ +47 33428459

Mail: firmapost@dometic.no

POLAND**Dometic Poland Sp. z o.o.**

Ul. Puławska 435A

PL-02-801 Warszawa

☎ +48 22 414 3200

☎ +48 22 414 3201

Mail: info@dometic.pl

PORTUGAL**Dometic Spain, S.L.**

Branch Office em Portugal

Rot. de São Gonçalo nº 1 - Esc. 12

2775-399 Carcavelos

☎ +351 219 244 173

☎ +351 219 243 206

Mail: info@dometic.pt

RUSSIA**Dometic RUS LLC**

Komsomolskaya square 6-1

RU-107140 Moscow

☎ +7 495 780 79 39

☎ +7 495 916 56 53

Mail: info@dometic.ru

SINGAPORE**Dometic Pte Ltd**

18 Boon Lay Way 06-140 Trade Hub 21

Singapore 609966

☎ +65 6795 3177

☎ +65 6862 6620

Mail: dometic@dometic.com.sg

SLOVAKIA**Dometic Slovakia s.r.o. Sales Office Bratislava**

Nádražná 34/A

900 28 Ivanka pri Dunaji

☎/☎ +421 2 45 529 680

Mail: bratislava@dometic.com

SOUTH AFRICA**Dometic (Pty) Ltd.****Regional Office****South Africa & Sub-Saharan Africa**

Unit 6-7 on Mastiff Linbro Park

2008 Johannesburg

☎ +27 11 4504978

☎ +27 11 4504976

Mail: info@dometic.co.za

SPAIN**Dometic Spain S.L.**

Avda. Sierra del Guadarrama, 16

E-28691 Villanueva de la Cañada

Madrid

☎ +34 902 111 042

☎ +34 900 100 245

Mail: info@dometic.es

SWEDEN**Dometic Scandinavia AB**

Gustaf Melins gata 7

S-42131 Västra Frölunda

☎ +46 31 7341100

☎ +46 31 7341101

Mail: info@dometicgroup.se

SWITZERLAND**Dometic Switzerland AG**

Riedackerstrasse 7a

CH-8153 Rümlang

☎ +41 44 8187171

☎ +41 44 8187191

Mail: info@dometic.ch

UNITED ARAB EMIRATES**Dometic Middle East FZCO**

P. O. Box 17860

S-D 6, Jebel Ali Freezone

Dubai

☎ +971 4 883 3858

☎ +971 4 883 3868

Mail: info@dometic.ae

UNITED KINGDOM**Dometic UK Ltd.**

Dometic House, The Brewery

Blandford St. Mary

Dorset DT11 9LS

☎ +44 344 626 0133

☎ +44 344 626 0143

Mail: customerservices@dometic.co.uk

USA**Dometic RV Division**

1120 North Main Street

Elkhart, IN 46515

☎ +1 574-264-2131