



CFX35, CFX40, CFX50,  
CFX65, CFX65DZ

## **Compressor Cooler** Instruction Manual



**Please read this operating manual carefully before starting the device. Keep it in a safe place for future reference. If the device is passed on to another person, this operating manual must be handed over to the user along with it.**

The manufacturer cannot be held liable for damage resulting from **improper usage** or **incorrect operation**.

## Contents

<b>1</b>	<b>Explanation of symbols</b> .....	<b>4</b>
<b>2</b>	<b>Safety instructions</b> .....	<b>4</b>
2.1	General safety .....	4
2.2	Operating the device safely .....	6
<b>3</b>	<b>Scope of delivery</b> .....	<b>7</b>
3.1	Accessories .....	7
<b>4</b>	<b>Intended use</b> .....	<b>8</b>
<b>5</b>	<b>Function description</b> .....	<b>8</b>
5.1	Scope of functions .....	8
5.2	Operating and display elements .....	9
<b>6</b>	<b>Operation</b> .....	<b>11</b>
6.1	Before initial use .....	11
6.2	Energy saving tips .....	12
6.3	Connecting the cooler .....	12
6.4	Using the battery monitor .....	13
6.5	Using the cooler .....	14
6.6	Setting the temperature .....	16
6.7	Using the emergency switch (where fitted) .....	16
6.8	USB port for power supply .....	16
6.9	Switching off the cooler .....	16
6.10	Defrosting the cooler .....	17
6.11	Replacing the device fuse .....	17
6.12	Replacing the plug fuse (12/24 V) .....	18
6.13	Replacing the light PCB .....	18
<b>7</b>	<b>Cleaning and maintenance</b> .....	<b>19</b>
<b>8</b>	<b>Guarantee</b> .....	<b>19</b>
<b>9</b>	<b>Troubleshooting</b> .....	<b>20</b>
<b>10</b>	<b>Disposal</b> .....	<b>21</b>
<b>11</b>	<b>Technical data</b> .....	<b>21</b>

# 1 Explanation of symbols

**DANGER!**

**Safety instruction:** Failure to observe this instruction will cause fatal or serious injury.

**WARNING!**

**Safety instruction:** Failure to observe this instruction can cause fatal or serious injury.

**CAUTION!**

**Safety instruction:** Failure to observe this instruction can lead to injury.

**NOTICE!**

Failure to observe this instruction can cause material damage and impair the function of the product.

**NOTE**

Supplementary information for operating the product.

➤ **Action:** This symbol indicates that action is required on your part. The required action is described step-by-step.

✓ This symbol describes the result of an action.

**fig. 1 5, page 3:** This refers to an element in an illustration. In this case, item 5 in figure 1 on page 3.

## 2 Safety instructions

### 2.1 General safety

**DANGER!**

- On boats: If the appliance is powered by the mains, ensure that the power supply has a residual current circuit breaker.

**WARNING!**

- Do not operate the device if it is visibly damaged.
- This device may only be repaired by qualified personnel. Improper repairs can lead to considerable hazards.
- Persons (including children) whose physical, sensory or mental capacities or whose lack of experience or knowledge prevent them from using this product safely should not operate it without the supervision or instruction of a responsible person.
- **Electrical devices are not toys.**  
Always keep and use the device out of the reach of children.
- Children must be supervised to ensure that they do not play with the device.
- If this device's power cable is damaged, it must be replaced by the manufacturer, customer service or a similarly qualified person in order to prevent safety hazards.
- Do not store any explosive substances such as spray cans with propellants in the device.

**CAUTION!**

- Disconnect the device from the mains
  - before cleaning and maintenance
  - after use
- Food may only be stored in its original packaging or in suitable containers.

**NOTICE!**

- Only connect the device as follows:
  - With the DC cable to a DC plug socket in the vehicle (e. g. cigarette lighter)
  - Or with the 230 V connection cable to the 230 V AC mains supply
- Check that the voltage specification on the type plate corresponds to that of the energy supply.
- The cooling device is not suitable for transporting caustic materials or materials containing solvents.
- Never pull the plug out of the socket by the cable.
- If the cooler is connected to the DC socket: Disconnect the cooler and other power consuming devices from the battery before connecting the quick charging device.

- If the cooler is connected to the DC socket: Disconnect the cooler or switch it off when you turn off the engine. Otherwise you may discharge the battery.

## 2.2 Operating the device safely



### **DANGER!**

- Do not touch exposed cables with your bare hands. This especially applies when operating the device with an AC mains power supply.



### **CAUTION!**

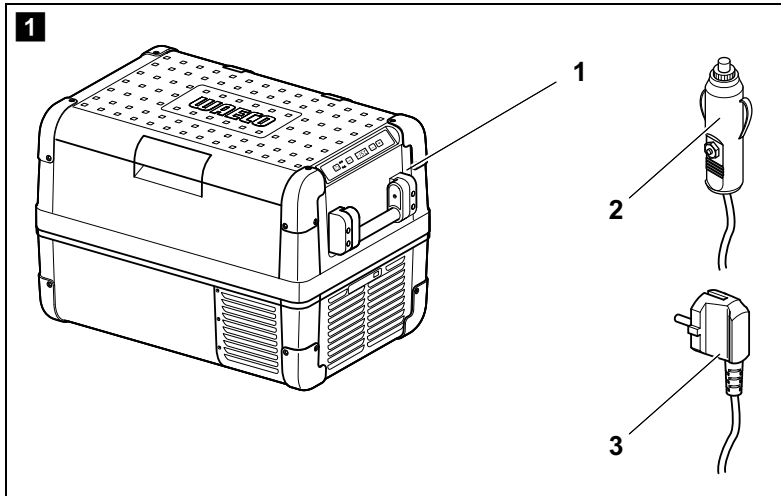
- Before starting the device, ensure that the power supply line and the plug are dry.



### **NOTICE!**

- Do not use electrical devices inside the cooler unless they are recommended by the manufacturer for the purpose.
- Do not place the device near naked flames or other heat sources (heaters, direct sunlight, gas ovens etc.).
- **Danger of overheating!**  
Ensure at all times that there is sufficient ventilation so that the heat that arises during operation does not build up. Make sure that the device is sufficiently far away from walls and other objects so that the air can circulate.
- Ensure that the ventilation slots are not covered.
- Do not fill the inner container with ice or fluid.
- Never immerse the device in water.
- Protect the device and the cable against heat and moisture.

### 3 Scope of delivery



Item	Quantity	Description
1	1	Cooler
2	1	Connection cable for 12/24 VDC connection
3	1	Connection cable for 100–240 V~ connection
–	1	Operating manual

#### 3.1 Accessories

Available as accessory (not included in scope of delivery):

Designation	Item no.	Model
Universal fixing kit (belt system)	4445100725	CFX-UFK
Wireless display	4445100726	CFX-WD

## 4 Intended use



The cooler is suitable for cooling and freezing foods. The device is also suitable for use on boats.



The device is designed to be operated from a 12 V<sub>DC</sub> or 24 V<sub>DC</sub> on-board supply socket of a vehicle (e. g. cigarette lighter), boat or caravan as well as from a 100–240 V AC mains.



---

**CAUTION! Health hazard!**

Please check if the cooling capacity of the device is suitable for storing the food or medicine you wish to cool.

---

## 5 Function description

The cooler can chill products, keep them cool as well as freeze them. A low maintenance refrigerant circuit with compressor provides the cooling. The generous insulation and powerful compressor ensure efficient and fast cooling.

The cooler is portable.

The cooler can withstand a constant heel (inclination) of 30°, for example when used on boats.

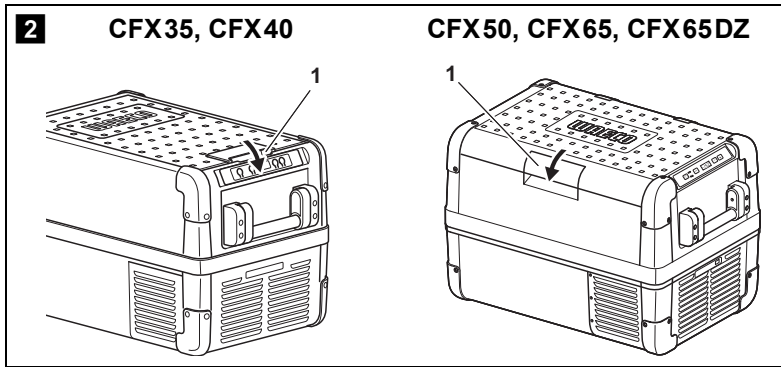
### 5.1 Scope of functions

- Power supply with priority circuit for connecting to the AC mains
- Three-level battery monitor to protect the vehicle battery
- Display with temperature gauge in °C and °F switches off automatically at low battery voltage
- Temperature setting: With two buttons in steps of 1 °C (2 °F)
- Foldable carrying handles
- USB port for power supply
- Emergency switch (where fitted)
- Removable wire basket

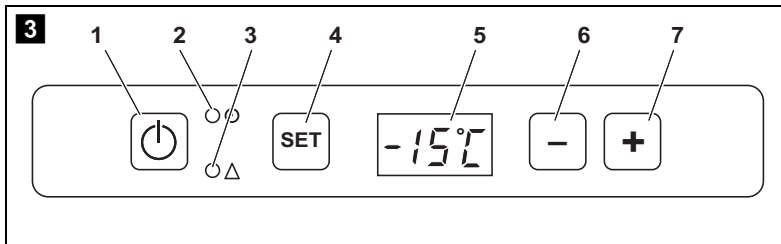


## 5.2 Operating and display elements

Latch for lid, fig. **2** 1



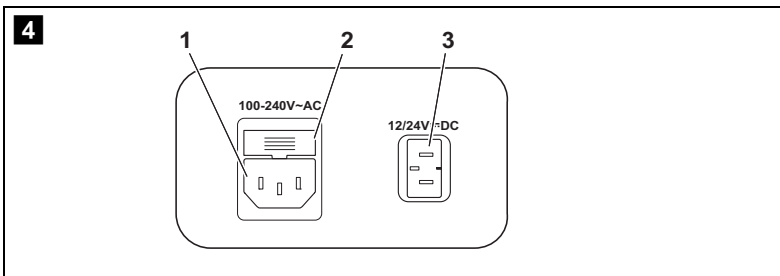
Operating panel, fig. **3**



Item	Description	Explanation
1	ON OFF	Switches the cooler on or off when the button is pressed for between one and two seconds
2	POWER "⏻"	Status indication LED lights up green: Compressor is on LED lights up orange: Compressor is off LED flashes orange: display switched off automatically due to low battery voltage
3	ERROR	LED flashes red: Device is switched on but not ready for operation

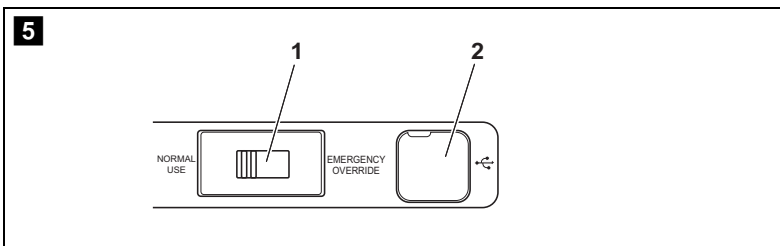
Item	Description	Explanation
4	SET	Selects the input mode – Temperature setting – Celsius or Fahrenheit display – Set battery monitor
5	–	Display, shows the information
6	DOWN –	Press once to decrease the value
7	UP +	Press once to increase the value

**Connection sockets, fig. 4**



Item	Description
1	Connection socket AC voltage supply
2	Fuse holder
3	Connection socket DC voltage supply

**Emergency switch (when fitted) and USB port, fig. 5**



Item	Description
1	Emergency switch
2	USB port for power supply

## 6 Operation

### 6.1 Before initial use

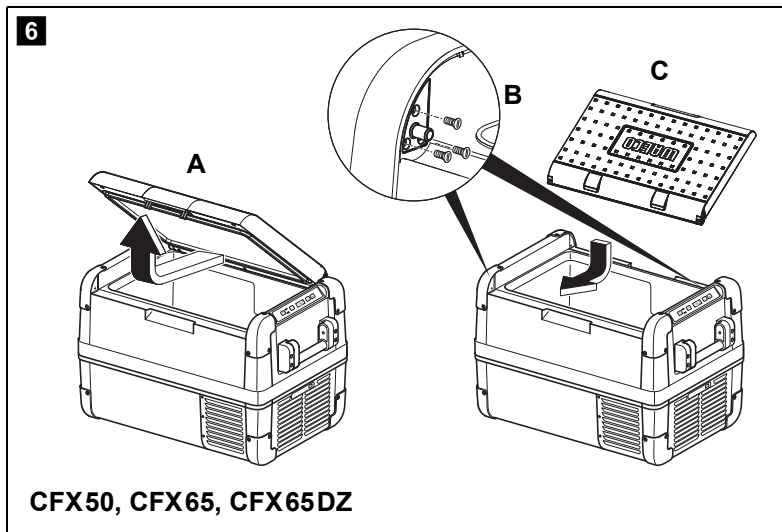


#### NOTE

Before starting your new cooler for the first time, you should clean it inside and outside with a damp cloth for hygienic reasons (please also refer to the “Cleaning and maintenance” on page 19).

### Reversing the lid opening direction

CFX50, CFX65, CFX65DZ



The lid hinges can be moved to the opposite side if you want to open the lid from the opposite direction. To do this, proceed as follows:

- Open the lid and remove it (fig. 6 A).
- Remove 3 screws per hinge (fig. 6 B) and take off hinges.
- Remove plastic covers from new hinge positions with a small screwdriver and re-fit to old hinge positions.
- Re-fit hinges in new positions.
- Insert the lid in the hinges on the opposite side (fig. 6 C).

## Selecting the temperature units

Temperature display units can be switched between Celsius and Fahrenheit as follows:

- Switch on the cooler.
- Press the “SET” button (fig. **3** 4, page 9) twice.
- Use the “UP +” (fig. **3** 7, page 9) or “DOWN -” (fig. **3** 6, page 9) buttons to select Celsius or Fahrenheit.
- ✓ The selected temperature units then appear in the display for a few seconds. The display flashes several times before it returns to the current temperature.

## 6.2 Energy saving tips

- Choose a well ventilated installation location which is protected against direct sunlight.
- Allow warm food to cool down first before placing it in the device to keep cool.
- Do not open the cooling device more often than necessary.
- Do not leave the cooler unit open for longer than necessary.
- Defrost the cooler once a layer of ice forms.
- Avoid unnecessary low temperatures.

## 6.3 Connecting the cooler

### Connecting to a battery (Vehicle or boat)

The cooler can be operated with 12 V or 24 V<sub>DC</sub>.



---

**NOTICE! Danger of damage!**

Disconnect the cooler and other consumer units from the battery before you connect the battery to a quick charging device. Overvoltage can damage the electronics of the device.

---

For safety reasons the cooler is equipped with an electronic system to prevent the polarity reversal. This protects the cooler against short-circuiting when connecting to a battery.

- Plug the 12/24-V connection cable (fig. **1** 2, page 7) into the device DC voltage socket and also into a 12 V or 24 V cigarette lighter socket.

## Connecting to a 100–240 V AC mains (E.g. in the home or office)



### **DANGER! Danger of electrocution!**

- Never handle plugs and switches with wet hands or if you are standing on a wet surface.
- If you are operating your cooler on board a boat from a mains connection of 100–240 V~, you must install a residual current circuit breaker between the 100–240 V AC mains and the cooler.  
Seek advice from a trained technician.

The coolers have an integrated multi-voltage power supply with priority circuit for connecting to an AC voltage source of 100–240 V. The priority circuit automatically switches the cooler to mains operation, if the device is connected to a 100–240 V AC mains, even if the 12/24 V connection cable is still attached.

- Plug the 100–240 V connection cable (fig. **1** 3, page 7) into the device AC voltage socket and connect it to the 100–240 V AC voltage mains.

## 6.4 Using the battery monitor



The device is equipped with a multi-level battery monitor that protects your vehicle battery against excessive discharging when the device is connected to the on-board 12/24 V supply.

If the cooler is operated when the vehicle ignition is switched off, the cooler switches off automatically as soon as the supply voltage falls below a set level. The cooler will switch back on once the battery has been recharged to the restart voltage level.



### **NOTICE! Danger of damage!**

When switched off by the battery monitor, the battery will no longer be fully charged. Avoid starting repeatedly or operating current consumers without longer charging phases. Ensure that the battery is recharged.

In “HIGH” mode, the battery monitor responds faster than at the levels “LOW” and “MED” (see the following table).

Battery monitor mode	LOW	MED	HIGH
Switch-off voltage at 12 V	10.1 V	11.4 V	11.8 V
Restart voltage at 12 V	11.1 V	12.2 V	12.6 V
Switch-off voltage at 24 V	21.5 V	24.1 V	24.6 V
Restart voltage at 24 V	23.0 V	25.3 V	26.2 V

The battery monitor mode can be selected as follows:

- Switch on the cooler.
- Press the “SET” button (fig. 3 4, page 9) three times.
- Use the “UP +” (fig. 3 7, page 9) or “DOWN -” (fig. 3 6, page 9) buttons to select the battery monitor mode.
- Digital display will be as follows:  
Lo (LOW), Пd (MED), Hi (HIGH)
- ✓ The selected mode then appears in the display for a few seconds. The display flashes several times before it returns to the current temperature.



#### **NOTE**

When the cooler is supplied by the starter battery, select the battery monitor mode “HIGH”. If the cooler is connected to a supply battery, the battery monitor mode “LOW” will suffice.

## 6.5 Using the cooler



#### **NOTICE! Danger of overheating!**

Ensure at all times that there is sufficient ventilation so that the heat that generated during operation can dissipate. Ensure that the ventilation slots are not covered. Make sure that the device is sufficiently far away from walls and other objects so that the air can circulate.

- Place the cooler on a firm foundation.  
Make sure that the ventilation slots are not covered and that the heated air can dissipate.


**NOTE**

Place the cooler as shown (fig. **1**, page 7). If you operate the box in a different position it can be damaged.

- Close the cooler, see “Connecting the cooler” on page 12.

**NOTICE! Danger from excessively low temperature!**

Ensure that the only those objects are placed in the cooler that are intended to be cooled at the selected temperature.

- Press the “ON/OFF” button (fig. **3** 1, page 9) for between one and two seconds.
- ✓ The LED “” lights up (fig. **3** 2, page 9).
- ✓ The display (fig. **3** 5, page 9) switches on and shows the current cooling temperature.

**NOTE****Displayed temperature****CFX 35, CFX 40, CFX 50, CFX 65:**

The temperature displayed is that of the middle of the large interior compartment.

**CFX 65DZ:**


- With fridge/freezer divider in: The temperature displayed is that of the middle of the freezer compartment.
- With fridge/freezer divider out: The actual compartment temperature will be considerably warmer than the displayed temperature.

**All models:**

Temperatures elsewhere in the compartment (away from centre) will deviate from displayed temperature.

- ✓ The cooler starts cooling the interior.

**NOTE**

When operating with the battery, the display switches off automatically if the battery voltage is low. The LED “” flashes orange.

**Latching the cooler lid**

- Close the lid.
- Press the latch (fig. **2** 1, page 9) down, until it latches in place audibly.

## 6.6 Setting the temperature

- Press the “SET” button (fig. **3** 4, page 9) once.
- Use the “UP +” (fig. **3** 7, page 9) and “DOWN -” (fig. **3** 6, page 9) buttons to select the cooling temperature.
- ✓ The cooling temperature appears in the display for a few seconds. The display flashes several times and then the current temperature is displayed again.

## 6.7 Using the emergency switch (where fitted)

The emergency switch (fig. **5** 1, page 10) is located below the control panel. For normal operation the switch is in the “NORMAL USE” position.

- If an electronic control failure occurs, slide the switch to “EMERGENCY OVERRIDE” position



---

### NOTE

If the switch is in the “EMERGENCY OVERRIDE” position, the cooler freezes with full cooling capacity.

---

## 6.8 USB port for power supply

USB port allows you to charge small devices like mobile phones and mp3-players.

To use your cooling box with any USB devices, simply connect a USB cable (not included) to your device.



---

### NOTE

Ensure that any small device connected to the USB port is compatible with 5 V/500 mA operation.

---

## 6.9 Switching off the cooler

- Empty the cooler.
- Switch the cooler off.
- Pull out the connection cable.

If you do not want to use the cooler for a longer period of time:

- Leave the cover slightly open. This prevents odour build-up.



## 6.10 Defrosting the cooler

Humidity can form frost in the interior of the cooling device or on the evaporator. This reduces the cooling capacity. Defrost the device in good time to avoid this.



---

**NOTICE! Danger of damage!**

Never use hard or pointed tools to remove ice or to loosen objects which have frozen in place.

---

To defrost the cooler, proceed as follows:

- Take out the contents of the cooling device.
- If necessary, place them in another cooling device to keep them cool.
- Switch off the device.
- Leave the lid open.
- Wipe off the defrosted water.

## 6.11 Replacing the device fuse



---

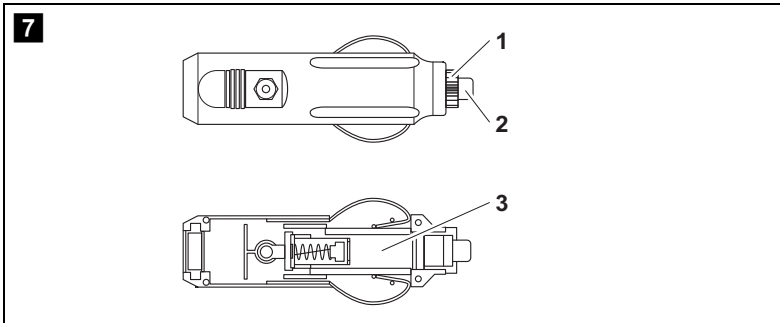
**DANGER! Danger of electrocution!**

Disconnect the connection cable before you replace the device fuse.

---

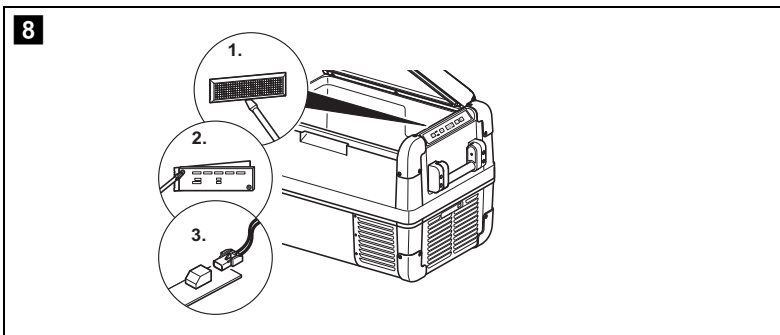
- Pull off the connection cable.
- Pry out the fuse insert (fig. **4** 2, page 10) with a screwdriver.
- Replace the defective fuse with a new one that has the same rating (T4AL 250V).
- Press the fuse insert back into the housing.

## 6.12 Replacing the plug fuse (12/24 V)



- Turn anticlockwise the cap (fig. **7** 1) to move it and pin (fig. **7** 2) from the plug.
- Press one end of the fuse (fig. **7** 3) and take it out.
- Replace the defective fuse with a new one that has the same rating (10 A).
- Re-assemble the plug in the reverse order.

## 6.13 Replacing the light PCB



- Pry out the transparent cover with a screwdriver (fig. **8** 1).
- Unscrew the PCB mounting screws (fig. **8** 2).
- Pull out the plug from the PCB (fig. **8** 3).
- Replace the defective light PCB with a new one.
- Fit new PCB using reverse of removal instructions.
- Press the transparent cover back into the housing.

## 7 Cleaning and maintenance

**WARNING!**

Always disconnect the device from the mains before you clean and service it.

**NOTICE! Risk of damage**

- Never clean the cooler under running water or in dish water.
- Do not use abrasive cleaning agents or hard objects during cleaning as these can damage the cooler.

➤ Occasionally clean the device interior and exterior with a damp cloth.

## 8 Guarantee

The statutory warranty period applies. If the product is defective, please contact the manufacturer's branch in your country (see the back of the instruction manual for the addresses) or your retailer.

For repair and guarantee processing, please include the following documents when you send in the device:

- A copy of the receipt with purchasing date
- A reason for the claim or description of the fault

# 9 Troubleshooting

Fault	Possible cause	Suggested remedy
Device does not function, LED does not glow.	There is no voltage present in the 12/24 V socket (cigarette lighter) in your vehicle.	The ignition must be switched on in most vehicles to apply current to the cigarette lighter.
	No voltage present in the AC voltage socket.	Try using another plug socket.
	The device fuse is defective.	Replace the device fuse, see “Replacing the device fuse” on page 17.
	The integrated mains adapter is defective.	This can only be repaired by an authorised repair centre.
The device does not cool (plug is inserted, “POWER” LED is lit).	Defective compressor.	This can only be repaired by an authorised customer services unit.
The device does not cool (plug is inserted, “POWER” LED flashes orange, display is switched off).	Battery voltage is too low.	Test the battery and charge it as needed.
When operating from the 12/24-V socket (cigarette lighter): The ignition is on and the device is not working and the LED is not lit.	The cigarette lighter socket is dirty. This results in a poor electrical contact.	If the plug of your cooler becomes very warm in the cigarette lighter socket, either the lighter socket must be cleaned or the plug has not been assembled correctly.
	The fuse of the 12/24 V plug has blown.	Replace the fuse (10 A) in the 12/24 V plug, see “Replacing the plug fuse (12/24 V)” on page 18.
Pull the plug out of the socket and make the following checks.	The vehicle fuse has blown.	Replace the vehicle’s 12/24 V socket fuse (usually 15 A). Please refer to your vehicle’s operating manual.
The display shows an error message (e.g. “Err1”) and the appliance does not cool.	The appliance has switched off due to an internal fault.	This can only be repaired by an authorised repair centre.

## 10 Disposal

- Place the packaging material in the appropriate recycling waste bins wherever possible.



If you wish to finally dispose of the product, ask your local recycling centre or specialist dealer for details about how to do this in accordance with the applicable disposal regulations.

## 11 Technical data

	CFX35	CFX40
Item no.	9105303570	9105303571
Connection voltage:	12/24 V $\equiv$ and 100–240 V $\sim$	
Rated current:	12 V $\equiv$ : 7,0 A 24 V $\equiv$ : 3,2 A 100 V $\sim$ : 0,86 A 240 V $\sim$ : 0,42 A	
Cooling capacity:	+10 °C to –22 °C (+50 °F to –8 °F)	
Category:	1	
Energy efficiency class:	A++	
Energy consumption:	62 kWh/annum	64 kWh/annum
Gross volume:	34,5 l	41 l
Storage volume:	32 l	38 l
Climate class:	N, T	
Ambient temperature:	+16°C – +43 °C	
Noise emission:	45 dB(A)	
USB	5 V $\equiv$ , 500 mA	
Dimensions (W x H x D) in mm:	630 x 411 x 398	630 x 461 x 398
Weight:	21 kg	22 kg

	<b>CFX50</b>	<b>CFX65</b>	<b>CFX65DZ</b>
Item no.	9105303572	9105303573	9105303574
Connection voltage:	12/24 V $\overline{\text{---}}$ and 100–240 V $\sim$		
Rated current:	12 V $\overline{\text{---}}$ : 7,8 A 24 V $\overline{\text{---}}$ : 3,6 A 100 V $\sim$ : 0,95 A 240 V $\sim$ : 0,46 A	12 V $\overline{\text{---}}$ : 8,2 A 24 V $\overline{\text{---}}$ : 3,8 A 100 V $\sim$ : 1,0 A 240 V $\sim$ : 0,48 A	12 V $\overline{\text{---}}$ : 5,5 A 24 V $\overline{\text{---}}$ : 2,6 A 100 V $\sim$ : 0,75 A 240 V $\sim$ : 0,37 A
Cooling capacity:	+10 °C to –22 °C (+50 °F to –8 °F)		
Category:	1		
Energy efficiency class:	A++		A+
Energy consumption:	66 kWh/annum	69 kWh/annum	115 kWh/annum
Gross volume:	50 l	65 l	with divider: 61 l without divider: 65 l
Storage volume:	46 l	60 l	53 l
Climate class:	N, T		
Ambient temperature:	+16°C – +43 °C		
Noise emission:	45 dB(A)		
USB	5 V $\overline{\text{---}}$ , 500 mA		
Dimensions (W x H x D) in mm:	661 x 471x 455	661 x 561 x 455	661 x 561 x 455
Weight:	24,6 kg	27 kg	27,5 kg



**NOTE**

If the ambient temperature is above +32°C (+90 °F), the minimum temperature cannot be attained.

Test/certificates:



The coolant circuit contains R-134a.



**GERMANY****Dometic WAECO International GmbH**

Hollefeldstraße 63 · D-48282 Emsdetten

☎ +49 (0) 2572 879-195 · 📠 +49 (0) 2572 879-322

Mail: info@dometic-waeco.de · Internet: www.dometic-waeco.de

**AUSTRALIA****Dometic Australia Pty. Ltd.**1 John Duncan Court  
Varsity Lakes QLD 4227

☎ +61 7 55076000

📠 +61 7 55076001

Mail: sales@dometic-waeco.com.au

**AUSTRIA****Dometic Austria GmbH**Neudorferstrasse 108  
2353 Guntramsdorf

☎ +43 2236 908070

📠 +43 2236 90807060

Mail: info@waeco.at

**BENELUX****Dometic Benelux B.V.**

Ecustraet 3

NL-4879 NP Etten-Leur

☎ +31 76 5029000

📠 +31 76 5029090

Mail: info@dometic.nl

**DENMARK****Dometic Denmark A/S**Nordensvej 15, Taulov  
DK-7000 Fredericia

☎ +45 75585966

📠 +45 75586307

Mail: info@waeco.dk

**FINLAND****Dometic Finland OY**

Mestarintie 4

FIN-01730 Vantaa

☎ +358 20 7413220

📠 +358 9 7593700

Mail: info@dometic.fi

**FRANCE****Dometic S.N.C.**ZA du Pré de la Dame Jeanne  
F-60128 Plailly

☎ +33 3 44633500

📠 +33 3 44633518

Mail: info@dometic.fr

**HONG KONG****WAECO Impex Ltd.**

Suites 2207-2211 · 22/F · Tower 1

The Gateway · 25 Canton Road,

Tsim Sha Tsui · Kowloon

Hong Kong

☎ +852 24611386

📠 +852 24665553

Mail: info@dometic-waeco.com.hk

**ITALY****Dometic Italy S.r.l.**

Via Virgilio, 3

I-47100 Forlì

☎ +39 0543 754901

📠 +39 0543 756631

Mail: info@dometic.it

**NORWAY****Dometic Norway AS**

Skolmar 24

N-3232 Sandefjord

☎ +47 33428450

📠 +47 33428459

Mail: firmapost@waeco.no

**POLAND****Dometic Poland Sp. z o.o.**

Ul. Puławska 435A

02-801 Warszawa

Poland

☎ +48 22 414 32 00

📠 +48 22 414 32 01

Mail: info@dometic.pl

**RUSSIA****Dometic RUS LLC**

Komsomolskaya square 6-1

107140 Moscow

Russia

☎ +7 495 780 79 39

📠 +7 495 916 56 53

Mail: info@dometic.ru

**SLOVAKIA****Dometic Slovakia s.r.o.**

Tehelná 8

SK-98601 Filákovo

☎ +421 47 4319 107

📠 +421 47 4319 166

Mail: info@dometic.sk

**SPAIN****Dometic Spain S.L.**

Avda. Sierra del Guadarrama, 16

E-28691 Villanueva de la Cañada

Madrid

☎ +34 902 111 042

📠 +34 900 100 245

Mail: info@dometic.es

**SWEDEN****Dometic Scandinavia AB**

Gustaf Melins gata 7

S-42131 Västra Frölunda (Göteborg)

☎ +46 31 7341100

📠 +46 31 7341101

Mail: info@waeco.se

**SWITZERLAND****Dometic Switzerland AG**

Riedackerstrasse 7a

CH-8153 Rümlang (Zürich)

☎ +41 44 8187171

📠 +41 44 8187191

Mail: info@dometic-waeco.ch

**TAIWAN****WAECO Impex Ltd.**

Taipei Office

2 FL-3 · No. 56 Tunhua South Rd, Sec 2

Taipei 106, Taiwan

☎ +886 2 27014090

📠 +886 2 27060119

Mail: marketing@dometic-waeco.com.tw

**UNITED KINGDOM****Dometic UK Ltd.**

Dometic House · The Brewery

Blandford St. Mary

Dorset DT11 9LS

☎ +44 844 626 0133

📠 +44 844 626 0143

Mail: sales@dometic.co.uk

**UNITED ARAB STATES****Dometic AB**

Regional Office Middle East

P O Box 74775

Dubai, United Arab Emirates

☎ +971 4 321 2160

📠 +971 4 321 2170

Mail: info@dometic.ae

**UNITED STATES OF AMERICA****Dometic Marine Division**

2000 N. Andrews Ave. Extension

Pompano Beach, FL 33069 USA

☎ +1 954 973 2477

📠 +1 954 979 4414

Mail: marinesales@dometicus.com