

↗ DOMETIC

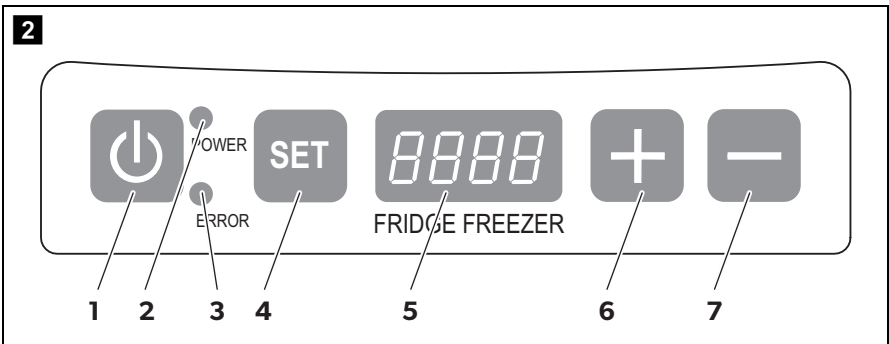
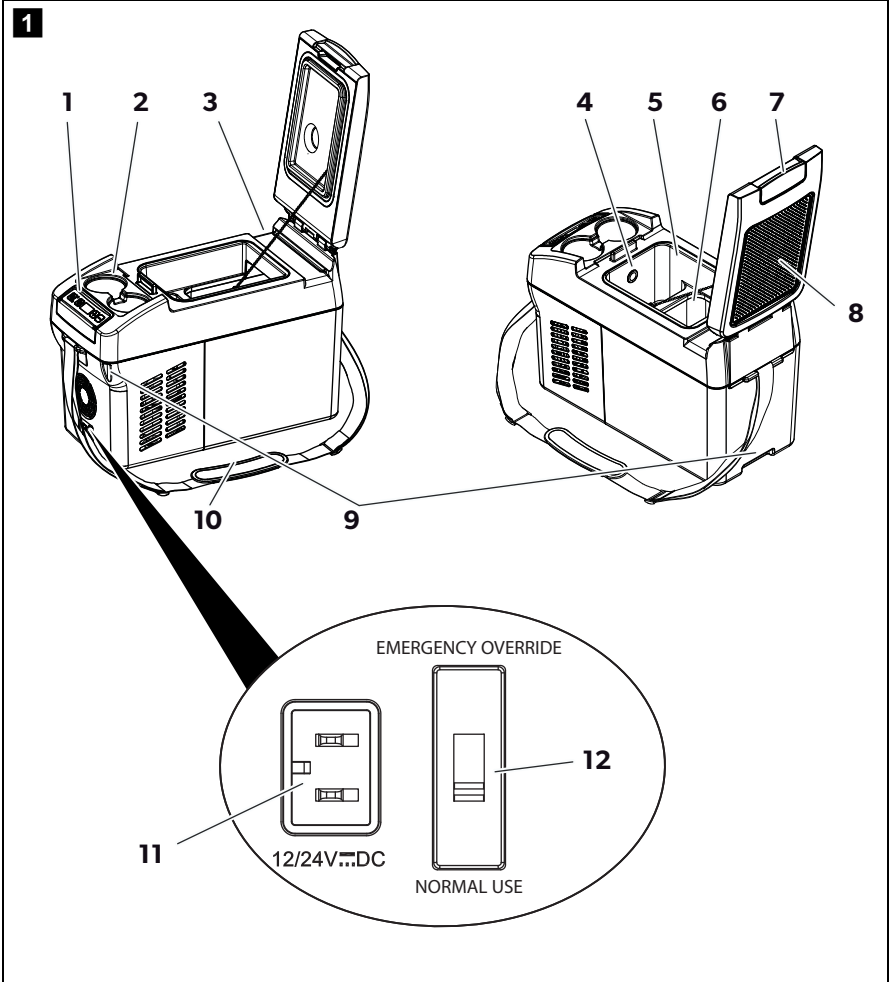
COOLING BOXES

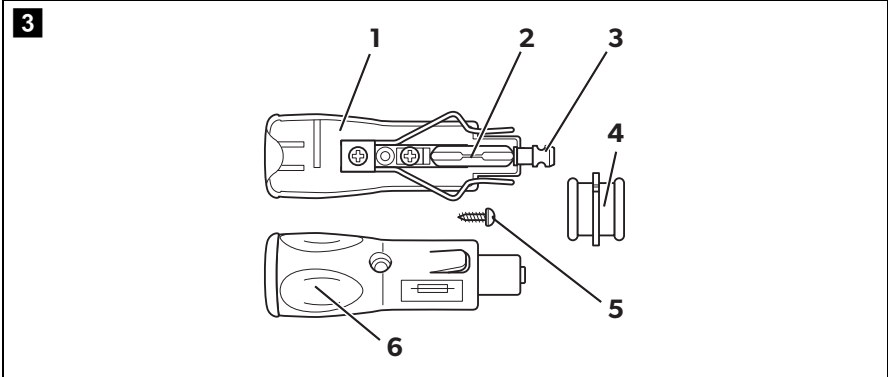
COOLFREEZE



CDF11

EN	Compressor Cooler	
	Operating manual	5
FR	Glacière à compression	
	Notice d'utilisation	20
ES	Nevera por compresor	
	Instrucciones de uso	36
PT	Geleira com compressor	
	Manual de instruções	52





Please read this operating manual carefully before starting the device. Keep it in a safe place for future reference. If the device is passed on to another person, this operating manual must be handed over to the user along with it.

The manufacturer cannot be held liable for damage resulting from **improper usage** or **incorrect operation**.

Contents

1	Explanation of symbols	6
2	Safety instructions	6
3	Intended use	9
4	Scope of delivery	9
5	Technical description	9
6	Operation	12
7	Cleaning and maintenance	17
8	Troubleshooting	18
9	Disposal	18
10	Technical data	19

1 Explanation of symbols

**WARNING!**

Safety instruction: Failure to observe this instruction can cause fatal or serious injury.

**CAUTION!**

Safety instruction: Failure to observe this instruction can lead to injury.

**NOTICE!**

Failure to observe this instruction can cause material damage and impair the function of the product.

**NOTE**

Supplementary information for operating the product.

2 Safety instructions

2.1 General safety

**WARNING!**

- Do not operate the device if it is visibly damaged.
- If this device's power cable is damaged, it must be replaced by the manufacturer, customer service or a similarly qualified person in order to prevent safety hazards.
- This device may only be repaired by qualified personnel. Improper repairs can lead to considerable hazards.
- This device can be used by children aged 8 years or over, as well as by persons with diminished physical, sensory or mental capacities or a lack of experience and/or knowledge, providing they are supervised or have been taught how to use the device safely and are aware of the resulting risks.
- Cleaning and user maintenance must not be carried out by children without supervision.
- Children must not play with the device.

- Children must be supervised to ensure that they do not play with the device.
- Always keep and use the device out of the reach of children under the age of 8 years.
- Do not store any explosive substances such as spray cans with a flammable propellant in the device.

**CAUTION!**

- Disconnect the device from the power supply
 - before each cleaning and maintenance
 - after every use
- Food may only be stored in its original packaging or in suitable containers.

**NOTICE!**

- Check that the voltage specification on the type plate corresponds to that of the energy supply.
- Only connect the device to a DC plug socket in the vehicle (e. g. cigarette lighter) with the DC cable.
- Only connect the device as follows:
 - With the DC cable to a DC plug socket in the vehicle (e. g. cigarette lighter)
 - Or with the AC connection cable to the AC mains supply
- Connect the device with the AC connection cable to the AC mains supply.
- Never pull the plug out of the socket by the cable.
- If the cooler is connected to the DC socket: Disconnect the cooler and other power consuming devices from the battery before connecting the quick charging device.
- If the cooler is connected to the DC socket: Disconnect the cooler or switch it off when you turn off the engine. Otherwise you may discharge the battery.
- The cooling device is not suitable for transporting caustic materials or materials containing solvents.
- The cooling device contains inflammable cyclopentane in the insulation. The gases in the insulation material require special disposal procedures. Deliver the device at the end of its life-cycle to an appropriate recycling.

2.2 Operating the device safely



CAUTION!

- Before starting the device, ensure that the power supply line and the plug are dry.



NOTICE!

- Do not use electrical devices inside the cooler unless they are recommended by the manufacturer for the purpose.
- Do not place the device near naked flames or other heat sources (heaters, direct sunlight, gas ovens etc.).
- **Danger of overheating!**
Ensure at all times that there is sufficient ventilation so that the heat that arises during operation does not build up. Make sure that the device is sufficiently far away from walls and other objects so that the air can circulate.
- Ensure that the ventilation openings are not covered.
- Do not fill the inner container with ice or fluid.
- Never immerse the device in water.
- Protect the device and the cable against heat and moisture.

3 Intended use

The cooler CDF11 (ref. no. 9600001417) is suitable for cooling and freezing foodstuffs.

The device has been designed for use with a 12/24 V \equiv on-board power supply socket of a car (cigarette lighter) or caravan.

The appliance may also be used for camping use. The appliance shall not be exposed to rain.

**NOTE**

To operate the device using a 220 – 240 V \sim mains supply, we recommend using a rectifier (**accessory**).

**CAUTION! Health hazard!**

Please check if the cooling capacity of the device is suitable for storing the food or medicine you wish to cool.

4 Scope of delivery

- Cooling device
- Connection cable for 12/24 V \equiv connection
- Carry strap

5 Technical description

The cooler can chill products, keep them cool as well as freeze them. A maintenance-free refrigerant circuit with compressor provides the cooling.

The cooler is suitable for mobile use.

When used in vehicles the cooler can be secured with the seat belt.

An integrated battery monitor can be set to protect your vehicle battery from discharging to dangerously low levels (see chapter “Using the battery monitor” on page 14).

If an error occurs within the interior electronics, the cooling can be kept by using an emergency switch.

5.1 Description of the device

Position in fig. **1**, page 3

Item	Description
1	Control panel
2	Cup holder
3	Fixing position for seat belt
4	Interior LED light
5	Cooling compartment
6	Freezer compartment
7	Lock
8	Skid proof pad
9	Handles
10	Carry strap
11	Connection socket
12	Emergency switch

5.2 Operating and display elements

Control panel (fig. 2, page 3)

Item	Description	Explanation	
1	On/Off button	Switches the cooler on or off when the button is pressed for between one and two seconds	
2	POWER	Status indication	
		LED lights up green	Compressor is on; preset temperature isn't reached yet
		LED lights up orange	Preset temperature is reached
		LED flashes orange	Insufficient voltage
3	ERROR	LED flashes red	Device is switched on but not ready for operation
4	SET	Selects the input mode <ul style="list-style-type: none"> • Set Temperature • Set temperature unit (Celsius or Fahrenheit) • Set battery monitor 	
5	Display	Shows the temperature inside the cooling compartment The first three digits of the four-digit display show the temperature, the fourth digit shows the temperature unit (°C or °F). In case of an error the display shows the error message "Err1" or "Err2".	
6	+	Press once to increase the value	
7	-	Press once to decrease the value	

6 Operation

The device is equipped with an interior LED light which remains on whenever power is connected. The power consumption of this LED light is extremely low and insignificant compared to the overall power consumption of the device.

6.1 Before initial use

**NOTE**

Before starting your new cooling device for the first time, you should clean it inside and outside with a damp cloth for hygienic reasons (please also refer to the chapter “Cleaning and maintenance” on page 17).

6.2 Energy saving tips

- Choose a well ventilated installation location which is protected against direct sunlight.
- Allow warm food to cool down first before placing it in the device to keep cool.
- Do not open the cooling device more often than necessary.
- Do not leave the lid open for longer than necessary.
- Defrost the cooler once a layer of ice forms.
- Avoid unnecessary low temperatures.

6.3 Locking the cooler

- Close the lid.
- Press the lock (fig. **1** 7, page 3) down until it snaps in audibly.

6.4 Connecting to a cigarette lighter

**NOTE**

If you connect the device to the cigarette lighter of your vehicle, remember that the ignition must be turned on to supply the device with power.

6.5 Securing the cooler in the vehicle

- Open the lid of the cooler.
- Place the seat belt into the fixing position (fig. **1** 3, page 3) of the cooler.
- Close the lid.
- Fasten the seat belt and tighten it.

6.6 Switching-on the cooler



NOTICE! Danger of damaging the device!

- Ensure at all times that there is sufficient ventilation so that the heat that generated during operation can dissipate. Ensure that the ventilation slots are not covered. Make sure that the device is sufficiently far away from walls and other objects so that the air can circulate.
- Ensure that the only those objects are placed in the cooler that are intended to be cooled at the selected temperature.
- Disconnect the cooler and other consumer units from the battery before you connect the battery to a quick charging device. Overvoltage can damage the electronics of the device.

The cooler can be operated with 12 V or 24 V $\overline{=}$.

For safety reasons the cooler is equipped with an electronic system to prevent polarity reversal. This protects the cooler against short-circuiting when connecting to a battery.

- Place the cooler on a firm foundation.
Make sure that the ventilation slots are not covered and that the heated air can dissipate.
- Connect the 12/24 V connection cable to the cigarette lighter or an 12/24 V socket in your vehicle.



NOTE

During normal operation the emergency switch (fig. **1** 12, page 3) has to be set to the "Normal" position.

- Press the "ON/OFF" button (fig. **2** 1, page 3) for three seconds.
- ✓ The "POWER" LED (fig. **2** 2, page 3) lights up green.
When the cooler reaches the preset temperature, the LED lights up orange.

- ✓ The display (fig. **2** 5, page 3) switches on and shows the current cooling temperature.
- ✓ The cooler starts cooling the interior.

6.7 Setting the temperature

- Press the "SET" button (fig. **2** 4, page 3) once.
- Use the "+" (fig. **2** 6, page 3) and "-" (fig. **2** 7, page 3) buttons to select the cooling temperature.
- ✓ The cooling temperature appears in the display for a few seconds. The display flashes several times and then the current temperature is displayed again.

6.8 Selecting the temperature units

You can switch the temperature display between Celsius and Fahrenheit. This is how to do it:

- Switch on the cooler.
- Press the "SET" button (fig. **2** 4, page 3) twice.
- Use the "+" (fig. **2** 6, page 3) and "-" (fig. **2** 7, page 3) buttons to select Celsius or Fahrenheit.
- ✓ The selected temperature units then appear in the display for a few seconds. The display flashes several times before it returns to the current temperature.

6.9 Using the battery monitor



NOTICE! Danger of damage!

When switched off by the battery monitor, the battery will no longer be fully charged. Avoid starting repeatedly or operating current consumers without longer charging phases. Ensure that the battery is recharged.

The device is equipped with a multi-level battery monitor that protects your vehicle battery against excessive discharging when the device is connected to the on-board 12/24 V supply.

If the cooler is operated when the vehicle ignition is switched off, the cooler switches off automatically as soon as the supply voltage falls below a set level. The cooler will switch back on once the battery has been recharged to the restart voltage level.

**NOTE**

When switched off by the battery monitor due to low voltage the display (fig. 2 5, page 3) goes blank and the "POWER" LED (fig. 2 2, page 3) flashes orange.

In "HIGH" mode, the battery monitor responds faster than at the levels "LOW" and "MED" (see the following table).

Battery monitor mode	LOW	MED	HIGH
Switch-off voltage at 12 V	10.1 V	11.4 V	11.8 V
Restart voltage at 12 V	11.1 V	12.2 V	12.6 V
Switch-off voltage at 24 V	21.5 V	24.1 V	24.6 V
Restart voltage at 24 V	23.0 V	25.3 V	26.2 V

This is how to select the battery monitor mode:

- ▶ Switch on the cooler.
- ▶ Press the "SET" button (fig. 2 4, page 3) three times.
- ▶ Use the "+" (fig. 2 6, page 3) and "-" (fig. 2 7, page 3) buttons to select the battery monitor mode.
- ✓ The selected mode then appears in the display for a few seconds. The display flashes several times before it returns to the current temperature.

**NOTE**

When the cooler is supplied by the starter battery, select the battery monitor mode "HIGH". If the cooler is connected to a supply battery, the battery monitor mode "LOW" will suffice.

If you wish to operate the cooler from the AC mains, set the battery monitor to the "LOW" position.

6.10 Using the emergency switch

The device is equipped with an emergency switch. Thus you can keep cooling if an error occurs within the interior electronics.



NOTE

During normal operation the emergency switch (fig. **1** 12, page 3) has to be set to the "Normal" position.

- If the interior electronics fail: Slide the emergency switch to the "Emergency" position.

6.11 Switching off the cooler

- Empty the cooler.
- Switch the cooler off: Press the "ON/OFF" button (fig. **2** 1, page 3) for three seconds.
- Pull out the connection cable.

If you do not want to use the cooler for a longer period of time:

- Leave the cover slightly open. This prevents odour build-up.

6.12 Defrosting the cooler

Humidity can form frost in the interior of the cooling device or on the vaporiser. This reduces the cooling capacity.

Defrost the device in good time to avoid this.



NOTICE! Danger of damaging the device!

Never use hard or pointed tools to remove ice or to loosen objects which have frozen in place.

To defrost the cooler, proceed as follows:

- Take out the contents of the cooling device.
- If necessary, place them in another cooling device to keep them cool.
- Switch off the device.
- Leave the cover open.
- Wipe off the defrosted water.

6.13 Replacing the plug fuse (12/24 V)

- Pull the adapter sleeve (fig. **3** 4, page 4) off of the plug.
- Unscrew the screw (fig. **3** 5, page 4) out of the upper half of the housing (fig. **3** 6, page 4).
- Carefully raise the upper half of the housing from the lower (fig. **3** 1, page 4) half.
- Take out the contact pin (fig. **3** 3, page 4).
- Replace the defective fuse (fig. **3** 2, page 4) with a new one that has the same rating (T8A 32V).
- Re-assemble the plug in the reverse order.

7 Cleaning and maintenance



WARNING!

Always disconnect the device from the power supply before you clean and service it.



NOTICE! Risk of damage

- Never clean the cooler under running water or in dish water.
- Do not use abrasive cleaning agents or hard objects during cleaning as these can damage the cooler.

- Occasionally clean the device interior and exterior with a damp cloth.
- Make sure that the air inlet and outlet vents on the device are free of any dust and dirt, so that heat can be released and the device is not damaged.

8 Troubleshooting

Fault	Possible cause	Suggested remedy
Device does not function, "POWER" LED does not glow.	There is no voltage present in the 12/24 V socket (cigarette lighter) in your vehicle.	The ignition must be switched on in most vehicles to apply current to the cigarette lighter.
The device does not cool (plug is inserted, "POWER" LED is lit).	Defective compressor.	This can only be repaired by an authorised customer repair agent.
The device does not cool (plug is inserted, "POWER" LED flashes, the display is blank).	The voltage present in the 12/24 V socket is too low.	Check the battery and charge if necessary. Check the wiring and connections.
When operating from the 12/24 V socket (cigarette lighter): The ignition is on and the device is not working and the "POWER" LED is not lit. Pull the plug out of the socket and make the following checks.	The cigarette lighter socket is dirty. This results in a poor electrical contact. The fuse of the 12/24 V plug has blown. The vehicle fuse has blown.	If the plug of your cooler becomes very warm in the cigarette lighter socket, either the lighter socket must be cleaned or the plug has not been assembled correctly. Replace the fuse (5 A) in the cigarette lighter plug, see chapter "Replacing the plug fuse (12/24 V)" on page 17. Replace the vehicle's 12/24 V socket fuse (usually 15 A). Please refer to your vehicle's operating manual.
"ERROR" LED flashes and the display shows "ERR1" or "ERR2".	Device is defective.	This can only be repaired by an authorised customer repair agent.


9 Disposal

- Place the packaging material in the appropriate recycling waste bins wherever possible.



If you wish to finally dispose of the product, ask your local recycling centre or specialist dealer for details about how to do this in accordance with the applicable disposal regulations.

10 Technical data

	CDF11
Ref. no.:	9600001417
Gross capacity:	10.5 litres
Connection voltage:	12/24 V===
Power consumption:	max. 30 W
Climate class:	N
Cooling capacity:	+10 °C to -18 °C (+50 °F to -0.4 °F)
Refrigerant quantity:	28 g (0.06 lbs)
CO ₂ equivalent:	0.040 t (88.18 lbs)
Global warming potential (GWP):	1430
Dimensions:	540 x 235 x 358 mm (21.26 in x 9.25 in x 14.09 in)
Weight:	8.2 kg (18.08 lbs)
Operating temperature range:	18 °C to 43 °C (+64.4 °F to 109.4 °F)
Testing/certification:	



NOTE

At ambient temperatures above 32 °C (90 °F) the minimum temperature cannot be achieved.

The refrigerant circuit contains R134a.

Contains fluorinated greenhouse gases

Hermetically sealed equipment

Veillez lire ce manuel avec attention avant de mettre l'appareil en service. Conservez ensuite ce manuel. En cas de passer de l'appareil, veuillez le transmettre au nouvel acquéreur.

Le fabricant décline toute responsabilité en cas de dommages provoqués par une **utilisation non-conforme de l'appareil** ou **par des erreurs de manipulation**.

Sommaire

1	Explication des symboles	21
2	Consignes de sécurité	21
3	Usage conforme	24
4	Contenu de la livraison	24
5	Description technique	25
6	Utilisation	27
7	Entretien et nettoyage	33
8	Dépannage	33
9	Recyclage	34
10	Caractéristiques techniques	35

1 Explication des symboles

**AVERTISSEMENT !**

Consigne de sécurité : le non-respect de ces consignes peut entraîner la mort ou de graves blessures.

**ATTENTION !**

Consigne de sécurité : le non-respect de ces consignes peut entraîner des blessures.

**AVIS !**

Le non-respect de ces consignes peut entraîner des dommages matériels et des dysfonctionnements du produit.

**REMARQUE**

Informations complémentaires sur l'utilisation du produit.

2 Consignes de sécurité

2.1 Sécurité générale

**AVERTISSEMENT !**

- Si l'appareil présente des dégâts visibles, vous ne devez pas le mettre en service.
- Si le câble de raccordement de l'appareil est endommagé, il doit être remplacé par le fabricant, son service après-vente ou une personne de qualification similaire, afin d'éviter tout danger.
- Seul un personnel qualifié est habilité à effectuer des réparations sur l'appareil. Toute réparation mal effectuée risque d'entraîner de graves dangers.
- Les enfants âgés de 8 ans et plus ainsi que les personnes ayant des déficiences physiques, sensorielles ou mentales ou un manque d'expérience ou de connaissances peuvent utiliser ce produit à condition d'être sous surveillance ou d'avoir reçu des instructions concernant l'utilisation de l'appareil en toute sécurité et de comprendre les dangers qui en résultent.

- Le nettoyage et la maintenance ne doivent pas être effectués par des enfants sans surveillance.
- Les enfants ne doivent pas jouer avec cet appareil.
- Les enfants doivent être surveillés pour s'assurer qu'ils ne jouent pas avec l'appareil.
- Placez et utilisez l'appareil hors de portée des enfants de moins de 8 ans.
- Ne stockez aucune substance explosive comme p. ex. des aérosols contenant des agents propulseurs dans l'appareil.

**ATTENTION !**

- Débranchez l'appareil du secteur
 - avant tout nettoyage et entretien
 - après chaque utilisation
- Les aliments ne peuvent être conservés que dans leurs emballages originaux ou dans des récipients appropriés.

**AVIS !**

- Comparez la tension indiquée sur la plaque signalétique avec l'alimentation électrique dont vous disposez.
- Branchez l'appareil uniquement avec le câble de raccordement CC sur une prise CC du véhicule (par ex. un allume-cigare).
- Branchez l'appareil uniquement comme indiqué ci-dessous :
 - avec le câble de raccordement CC sur une prise CC du véhicule (par ex. un allume-cigare)
 - ou avec le câble de raccordement CA au secteur à courant alternatif
- Branchez l'appareil à l'aide du câble de raccordement CA au réseau alternatif.
- Ne tirez jamais sur le câble de raccordement pour sortir la fiche de la prise.
- Si la glacière est raccordée à la prise CC : dDébranchez de la batterie la glacière et les autres consommateurs d'énergie avant de raccorder un chargeur rapide.
- Si la glacière est raccordée à la prise CC : dDébranchez ou éteignez la glacière lorsque vous éteignez le moteur. Dans le cas contraire, il se pourrait que la batterie se décharge.
- N'utilisez pas la glacière pour le transport de produits corrosifs ou de solvants.

- Cette glacière contient du cyclopentane inflammable dans son isolation. Les gaz contenus dans le matériau d'isolation exigent une procédure de retraitement particulière. Une fois que vous ne l'utilisez plus, recyclez l'appareil de manière conforme.

2.2 Consignes de sécurité concernant le fonctionnement de l'appareil



ATTENTION !

- Avant de mettre l'appareil en service, assurez-vous que la ligne d'alimentation électrique et la fiche sont sèches.



AVIS !

- N'utilisez aucun appareil électrique dans la glacière, sauf si ces appareils sont recommandés par le fabricant pour cet usage.
- Ne placez pas l'appareil près de flammes ou d'autres sources de chaleur (chauffage, rayons solaires, réchauds à gaz, etc.).
- **Danger de surchauffe !**
Veillez toujours à ce que la chaleur produite lors du fonctionnement soit suffisamment dissipée. Veillez à ce que l'appareil se trouve à une distance suffisante des murs ou des objets, de sorte que l'air puisse circuler.
- Assurez-vous que les fentes d'aération ne sont pas recouvertes.
- Ne pas remplir le bac intérieur de substances liquides ou de glace.
- Ne plongez jamais l'appareil dans l'eau.
- Tenez l'appareil et les câbles à l'abri de la chaleur et de l'humidité.

3 Usage conforme

La glacière CDF11 (Art.-Nr. 9600001417) est conçue pour la réfrigération et la congélation d'aliments.

L'appareil est conçu pour fonctionner sur une prise 12/24 V $\overline{=}$ du réseau de bord de votre voiture (allume-cigares) ou de votre camping-car.

L'appareil convient également pour le camping. L'appareil ne doit pas être exposé à la pluie.



REMARQUE

En cas de fonctionnement de l'appareil sur secteur à courant alternatif 220 – 240 V, nous vous recommandons l'utilisation d'un redresseur de courant du secteur (**en accessoire**).



ATTENTION ! Risque pour la santé !

Veillez vérifier si la puissance frigorifique de l'appareil correspond à la température de conservation recommandée pour les aliments ou les médicaments que vous souhaitez refroidir.

4 Contenu de la livraison

- Glacière
- Câble de raccordement pour prise 12/24 V $\overline{=}$
- Bandoulière

5 Description technique

La glacière permet de réfrigérer, de tenir au frais ou de congeler des produits. La réfrigération est assurée par un circuit de refroidissement à compresseur qui fonctionne ne nécessite aucune maintenance.

La glacière convient pour une utilisation mobile.

En cas d'utilisation de la glacière dans des véhicules, il est possible de fixer la glacière à l'aide de la ceinture de sécurité.

Un protecteur de batterie intégré à l'appareil empêche la batterie de votre véhicule de se décharger excessivement (voir chapitre « Utilisation du protecteur de batterie », page 30).

En cas d'erreur dans l'électronique interne, il est possible de maintenir le refroidissement à l'aide d'un commutateur d'urgence.

5.1 Description de l'appareil

Position sur la fig. **1**, page 3

Pos.	Désignation
1	Panneau de commande
2	Porte-boissons
3	Passant pour ceinture de sécurité
4	Eclairage intérieur DEL
5	Compartiment réfrigérateur
6	Compartiment congélateur
7	Verrouillage
8	Revêtement antidérapant
9	Poignées de transport
10	Bandoulière
11	Douille de raccordement
12	Commutateur d'urgence

5.2 Eléments de commande et d'affichage

Panneau de commande (fig. 2, page 3)

Pos.	Désignation	Signification
1	Touche marche/arrêt	Permet d'allumer ou d'éteindre la glacière en appuyant une à deux secondes sur la touche
2	POWER	Témoin lumineux de fonctionnement
		La DEL s'allume en vert Le compresseur fonctionne ; la température réglée n'est pas encore atteinte
		La DEL s'allume en orange La température réglée est atteinte
		La DEL clignote en orange La tension est trop basse
3	ERROR	La DEL clignote en rouge L'appareil est allumé mais n'est pas prêt à fonctionner
4	SET	Permet de sélectionner le mode de saisie <ul style="list-style-type: none"> • Réglage de la température • Réglage de l'unité de température (°Celsius ou °Fahrenheit) • Réglage du protecteur de batterie
5	Affichage	Affiche la température dans le compartiment réfrigérateur Les trois premiers chiffres de l'écran indiquent la température, le quatrième l'unité de température (°C ou °F). En cas de dysfonctionnement, l'écran indique le message d'erreur « Err1 » ou « Err2 ».
6	+	Une pression sur cette touche augmente la valeur de saisie sélectionnée
7	-	Une pression sur cette touche diminue la valeur de saisie sélectionnée

6 Utilisation

L'appareil est équipé d'un éclairage intérieur DEL qui reste allumé lorsque l'appareil est sous tension. La consommation de cet éclairage intérieur DEL en courant est extrêmement faible et négligeable comparée à la consommation totale de l'appareil.

6.1 Avant la première utilisation



REMARQUE

Avant la mise en service du réfrigérateur neuf, nous vous conseillons, pour des raisons d'hygiène, d'en nettoyer l'intérieur et l'extérieur à l'aide d'un tissu humide (voir aussi chapitre « Entretien et nettoyage », page 33).

6.2 Comment économiser de l'énergie ?

- Choisissez un emplacement bien aéré et à l'abri du soleil.
- Laissez refroidir les aliments chauds avant de les déposer dans la glacière.
- N'ouvrez pas le réfrigérateur plus souvent que nécessaire.
- Ne laissez pas le couvercle ouvert plus longtemps que nécessaire.
- Dégivrez la glacière dès qu'une couche de glace s'est formée.
- Évitez une température intérieure inutilement basse.

6.3 Verrouillage de la glacière

- Fermez le couvercle.
- Abaissez le verrouillage (fig. **1** 7, page 3) jusqu'à ce vous entendiez qu'il s'enclenche.

6.4 Raccordement à un allume-cigares



REMARQUE

Lorsque vous raccordez la glacière à l'allume-cigares de votre véhicule, veillez à ce que l'allumage soit en marche pour que l'appareil soit alimenté en électricité.

6.5 Blocage de la glacière dans le véhicule

- Ouvrez le couvercle de la glacière.
- Placez la ceinture de sécurité dans le passant (fig. **1** 3, page 3) de la glacière.
- Fermez le couvercle.
- Bouclez la ceinture de sécurité et ajustez-la.

6.6 Mise en marche de la glacière



AVIS ! L'appareil peut être endommagé !

- Veillez toujours à ce que la chaleur produite lors du fonctionnement puisse se dissiper suffisamment. Assurez-vous que les fentes d'aération ne sont pas recouvertes. Veillez à ce que l'appareil se trouve à distance suffisante des murs ou des objets, de sorte que l'air puisse circuler.
- Veillez à ne déposer dans la glacière que des objets ou des aliments qui peuvent être réfrigérés à la température sélectionnée.
- Débranchez la glacière et les autres consommateurs d'énergie de la batterie avant de recharger la batterie avec un chargeur rapide. Les surtensions peuvent endommager l'électronique des appareils.

La glacière peut être branchée sur une tension continue de 12 V ou 24 V.

Pour des raisons de sécurité, la glacière est équipée d'une protection électronique contre les inversions de polarité en cas de raccordement à une batterie et contre les courts-circuits.

- Placez la glacière sur une surface stable.
Veillez à ce que les fentes d'aération ne soient pas recouvertes, afin que l'air chaud puisse bien s'évacuer.
- Raccordez le câble 12/24 V sur l'allume-cigares ou sur une prise 12/24 V du véhicule.

**REMARQUE**

En cas de fonctionnement normal, le commutateur d'urgence (fig. **1** 12, page 3) doit se trouver en position « Normal ».

- Appuyez sur la touche marche/arrêt (fig. **2** 1, page 3) pendant trois secondes.
- ✓ La DEL « POWER » (fig. **2** 2, page 3) s'allume en vert.
Lorsque la glacière a atteint la température réglée, la DEL s'allume en orange.
- ✓ L'écran (fig. **2** 5, page 3) s'allume et indique la température actuelle.
- ✓ La glacière commence par la réfrigération du compartiment intérieur.

6.7 Réglage de la température

- Appuyez une fois sur la touche « SET » (fig. **2** 4, page 3).
- Sélectionnez la température de refroidissement à l'aide des touches « + » (fig. **2** 6, page 3) ou « - » (fig. **2** 7, page 3).
- ✓ L'écran affiche la température de refroidissement sélectionnée pendant quelques secondes. L'écran clignote plusieurs fois avant de revenir à l'affichage de la température actuelle.

6.8 Sélection de l'unité de température

Pour l'affichage de la température, vous pouvez choisir entre les valeurs en Celsius ou en Fahrenheit. Procédez comme suit :

- Allumez la glacière.
- Appuyez deux fois sur la touche « SET » (fig. **2** 4, page 3).
- Sélectionnez l'unité de température (°Celsius ou °Fahrenheit) à l'aide des touches « + » (fig. **2** 6, page 3) ou « - » (fig. **2** 7, page 3).
- ✓ L'écran affiche l'unité de température sélectionnée pendant quelques secondes. L'écran clignote plusieurs fois avant de revenir à l'affichage de la température actuelle.

6.9 Utilisation du protecteur de batterie



AVIS ! Risque d'endommagement !

Au moment de l'arrêt par le protecteur de batterie, la batterie ne possède plus toute sa capacité de charge ; évitez les démarrages répétés ou la mise en marche de consommateurs d'énergie tant que la batterie n'a pas été rechargée. Veillez à recharger la batterie.

L'appareil est équipé d'un protecteur de batterie qui protège la batterie de votre véhicule, afin qu'elle ne se décharge pas excessivement lorsque la glacière est raccordée au réseau 12/24 V du véhicule.

Si la glacière est mise en service alors que l'allumage du véhicule est éteint, elle s'éteint automatiquement dès que la tension d'alimentation descend en dessous d'une valeur réglable. La glacière se rallume dès que la batterie est rechargée et que la tension de rallumage est atteinte.



REMARQUE

Si le protecteur de batterie éteint l'appareil parce que la tension est trop faible, l'écran s'éteint (fig. **2** 5, page 3) et la DEL « Power » (fig. **2** 2, page 3) clignote en orange.

En mode « HIGH », le protecteur de batterie se met en marche plus rapidement qu'en mode « LOW » ou « MED » (voir tableau suivant).

Mode protecteur de batterie	LOW	MED	HIGH
Tension d'arrêt pour 12 V	10,1V	11,4V	11,8V
Tension de rallumage pour 12 V	11,1V	12,2V	12,6V
Tension d'arrêt pour 24 V	21,5V	24,1V	24,6V
Tension de rallumage pour 24 V	23,0V	25,3V	26,2V

Pour modifier le mode du protecteur de batterie, procédez comme suit :

- Allumez la glacière.
- Appuyez trois fois sur la touche « SET » (fig. **2** 4, page 3).
- Sélectionnez le mode du protecteur de batterie à l'aide des touches « + » (fig. **2** 6, page 3) ou « - » (fig. **2** 7, page 3).
- ✓ L'écran affiche le mode sélectionné pendant quelques secondes. L'écran clignote plusieurs fois avant de revenir à l'affichage de la température actuelle.

**REMARQUE**

Lorsque la glacière est alimentée par la batterie de démarrage, réglez le protecteur de batterie sur le mode « HIGH ». Lorsque la glacière est raccordée à une batterie d'alimentation, le mode « LOW » suffit. Lorsque vous voulez faire fonctionner la glacière sur le réseau à tension alternative, réglez le protecteur de batterie sur « LOW ».

6.10 Utilisation du commutateur d'urgence

L'appareil est équipé d'un commutateur d'urgence. Il vous permet de maintenir le refroidissement en cas de panne de l'électronique interne.

**REMARQUE**

En cas de fonctionnement normal, le commutateur d'urgence (fig. **1** 12, page 3) doit se trouver en position « Normal ».

- En cas de panne de l'électronique interne : placez le commutateur d'urgence en position « Emergency ».

6.11 Arrêt de la glacière

- Videz la glacière.
- Eteignez la glacière : appuyez sur la touche marche/arrêt (fig. **2** 1, page 3) pendant trois secondes.
- Retirez la prise de raccordement.

Lorsque vous ne voulez pas utiliser la glacière pendant une période prolongée :

- Laissez le couvercle légèrement ouvert. Vous évitez ainsi la formation d'odeurs.

6.12 Dégivrage de la glacière

L'humidité de l'air peut se condenser sous forme de givre au niveau de l'évaporateur ou à l'intérieur de la glacière et diminuer ainsi sa puissance frigorifique.

Veillez donc à dégivrer l'appareil à temps.



AVIS ! L'appareil peut être endommagé !

N'utilisez jamais d'outils durs ou pointus pour enlever les couches de glace ou pour détacher des objets pris dans le givre.

Procédez de la manière suivante pour dégivrer la glacière :

- Retirez les aliments.
- Placez-les éventuellement dans un autre réfrigérateur pour qu'ils restent froids.
- Eteignez l'appareil.
- Laissez le couvercle ouvert.
- Essuyez l'eau provenant du dégivrage.

6.13 Remplacement du fusible du connecteur (12/24 V)

- Dévissez le compensateur (fig. **3** 4, page 4) du connecteur.
- Retirez la vis (fig. **3** 5, page 4) de la partie supérieure du boîtier (fig. **3** 6, page 4).
- Soulevez avec précaution la partie supérieure du boîtier pour la séparer de la partie inférieure (fig. **3** 1, page 4).
- Retirez la fiche de contact (fig. **3** 3, page 4).
- Remplacez le fusible défectueux (fig. **3** 2, page 4) par un nouveau fusible de même valeur (T8A 32V).
- Remontez le connecteur en effectuant les opérations dans l'ordre inverse.

7 Entretien et nettoyage



AVERTISSEMENT !

Avant toute opération de nettoyage ou d'entretien de l'appareil, veillez à le mettre hors secteur.



AVIS ! Risque d'endommagement !

- Ne nettoyez jamais la glacière à l'eau courante et ne la plongez pas non plus dans l'eau.
- N'utilisez pour le nettoyage ni produits abrasifs ni objets durs qui pourraient endommager la glacière.

- Nettoyez de temps à autre l'appareil à l'intérieur et à l'extérieur avec un chiffon humide.
- Assurez-vous que les ouvertures d'aération et de ventilation de l'appareil ne sont pas encombrées de saletés ou de poussières, pour que la chaleur générée par le fonctionnement soit évacuée et que l'appareil ne soit pas endommagé.

8 Dépannage

Dysfonctionnement	Cause possible	Solution proposée
L'appareil ne fonctionne pas, la DEL « POWER » n'est pas allumée.	La prise 12/24 V (allume-cigares) de votre véhicule n'est pas sous tension.	Dans la plupart des véhicules, le contact doit être mis pour que l'allume-cigares soit sous tension.
L'appareil ne réfrigère pas (le connecteur est branché, la DEL « POWER » est allumée).	Compresseur défectueux.	La réparation peut être effectuée uniquement par un service après-vente agréé.
L'appareil ne réfrigère pas (le connecteur est branché, la DEL « POWER » clignote, l'écran est vide).	La tension de la prise 12/24 V est trop faible.	Contrôlez la batterie et chargez-la si nécessaire. Vérifiez les câbles et les connexions.

Dysfonctionnement	Cause possible	Solution proposée
En cas de fonctionnement sur prise 12/24 V (allume-cigares) : L'allumage est en marche, l'appareil ne fonctionne pas et la DEL « POWER » n'est pas allumée. Retirez le connecteur de la prise, puis procédez aux contrôles suivants.	La prise de l'allume-cigares est sale. Ceci entraîne un mauvais contact électrique. Le fusible de la prise 12/24 V est grillé.	Si la fiche devient très chaude lorsqu'elle est branchée dans la prise de l'allume-cigares, c'est que la prise de l'allume-cigares doit être nettoyée ou que la fiche n'est pas bien montée. Remplacez le fusible de la prise 12/24 V (fig. 3 2, page 4).
	Le fusible du véhicule est grillé.	Remplacez le fusible du véhicule correspondant à la prise 12/24 V (normalement 15 A) (veuillez respecter les instructions du manuel d'entretien de votre véhicule).
La DEL « ERROR » clignote et l'écran indique « ERR1 » ou « ERR2 ».	Appareil défectueux.	La réparation peut être effectuée uniquement par un service après-vente agréé.


9 Recyclage

- Jetez les emballages dans les conteneurs de déchets recyclables prévus à cet effet.



Lorsque vous mettez votre produit définitivement hors service, informez-vous auprès du centre de recyclage le plus proche ou auprès de votre revendeur spécialisé sur les prescriptions relatives au retraitement des déchets.

10 Caractéristiques techniques

	CDF11
N° de réf. :	9600001417
Contenu brut :	10,5 litres
Tension de raccordement :	12/24 V==
Puissance absorbée :	max. 30 W
Classe climatique :	N
Puissance frigorifique :	+10 °C à -18 °C (+50 °F à -0,4 °F)
Quantité de fluide frigorigène :	28 g (0,06 lbs)
Équivalent CO ₂ :	0,040 t (88,18 lbs)
Potentiel d'effet de serre (GWP) :	1430
Dimensions :	540 x 235 x 358 mm (21,26 in x 9,25 in x 14,09 in)
Poids :	8,2 kg (18,08 lbs)
Plage de température de fonctionnement :	18 °C à 43 °C (+64,4 °F à 109,4 °F)
Contrôle/certificat :	



REMARQUE

La température minimale ne peut plus être atteinte si la température ambiante est supérieure à 32 °C (90 °F).

Le circuit de refroidissement contient du R134a.

Contient des gaz à effet de serre fluorés

Équipement hermétiquement scellé

Lea atentamente este manual antes de la puesta en funcionamiento del aparato y consérvelo en un lugar seguro para futuras consultas. En caso de vender o entregar el aparato a otra persona, entregue también estas instrucciones.

El fabricante declina toda responsabilidad por los daños causados por **el uso inadecuado** o por el **uso incorrecto** del aparato.

Índice

1	Aclaración de los símbolos	37
2	Indicaciones de seguridad	37
3	Uso adecuado	40
4	Volumen de entrega	40
5	Descripción técnica	40
6	Manejo.	43
7	Limpieza y mantenimiento	49
8	Solución de averías	49
9	Gestión de residuos	50
10	Datos técnicos.	51

1 Aclaración de los símbolos

**¡ADVERTENCIA!**

Indicación de seguridad: su incumplimiento puede acarrear la muerte o graves lesiones.

**¡ATENCIÓN!**

Indicación de seguridad: su incumplimiento puede acarrear lesiones.

**¡AVISO!**

Su incumplimiento puede acarrear daños materiales y perjudicar el correcto funcionamiento del producto.

**NOTA**

Información adicional para el manejo del producto.

2 Indicaciones de seguridad

2.1 Seguridad general

**¡ADVERTENCIA!**

- No ponga el aparato en funcionamiento si presenta desperfectos visibles.
- Si se daña el cable de conexión del aparato, éste deberá ser reemplazado por el fabricante, su servicio de atención al cliente o una persona cualificada para evitar así posibles peligros.
- Sólo personal especializado puede realizar reparaciones en el aparato. Las reparaciones realizadas indebidamente pueden dar lugar a situaciones de considerable peligro.
- Los niños mayores de 8 años y las personas de capacidad física, sensorial o mental disminuida, así como aquellas personas con falta de experiencia y/o conocimientos suficientes solo podrán utilizar este aparato si están vigilados o han sido instruidos respecto al uso seguro del aparato y a los posibles peligros que pueden emanar de él.
- Los niños solo podrán realizar las tareas de limpieza y mantenimiento bajo vigilancia.

- Los niños no están autorizados a jugar con el aparato.
- Se ha de vigilar a los niños para garantizar que no usen este aparato como juguete.
- Mantenga y utilice el aparato fuera del alcance de los niños menores de 8 años.
- No guarde en el aparato sustancias con peligro de explosión como, p. ej., atomizadores con gases combustibles.



¡ATENCIÓN!

- Desconecte el aparato de la red
 - antes de realizar cualquier tarea de limpieza y mantenimiento;
 - después de cada uso.
- Los alimentos sólo se pueden guardar en los envases originales o en recipientes adecuados.



¡AVISO!

- Compare el valor de tensión indicado en la placa de características con el suministro de energía existente.
- Conecte el aparato únicamente con el cable de alimentación CC a una caja de enchufe CC en el vehículo (por ejemplo mechero del vehículo)
- Conecte el aparato únicamente del siguiente modo:
 - conecte el cable de alimentación CC a una caja de enchufe CC en el vehículo (por ejemplo mechero del vehículo)
 - o bien conecte el cable de alimentación de CA a la red de corriente alterna
- Conecte el aparato a la red de corriente alterna con el cable de conexión de CA correspondiente.
- No extraiga nunca la clavija de la caja de enchufe tirando del cable de conexión.
- Si la nevera está conectada a la caja de enchufe CC: Desconecte de la batería el aparato refrigerador u otros dispositivos consumidores si va a conectar un cargador rápido.
- Si la nevera está conectada a la caja de enchufe CC: Desconecte la conexión o apague el aparato cuando apague el motor. De lo contrario podrá descargarse la batería.
- Este aparato refrigerador no es apto para transportar sustancias corrosivas o disolventes.

- Este aislamiento de este aparato refrigerador contiene ciclopentanto inflamable. Los gases presentes en el material aislante requieren un proceso de eliminación especial. Elimine debidamente el aparato al final de su vida útil.

2.2 Seguridad durante el funcionamiento del aparato



¡ATENCIÓN!

- Antes de la puesta en funcionamiento, asegúrese de que el cable de alimentación y la clavija de enchufe estén secos.



¡AVISO!

- No utilice ningún aparato eléctrico dentro de la nevera, a no ser que el aparato en cuestión haya sido recomendado para ello por el fabricante.
- No coloque el aparato cerca de llamas vivas ni de otras fuentes de calor (calefacción, radiación directa del sol, estufas de gas, etc.).
- **¡Peligro de sobrecalentamiento!**
Asegúrese todo el tiempo de que el calor producido durante el funcionamiento se puede desalojar adecuadamente. Asegúrese de que el aparato guarda la suficiente distancia con las paredes u objetos, de forma que el aire pueda circular.
- Procure que no se obstruyan las ranuras de ventilación.
- No introduzca líquidos ni hielo en el contenedor interior.
- No sumerja nunca el aparato en agua.
- Proteja el aparato y los cables del calor y de la humedad.

3 Uso adecuado

La nevera CDF11 (n° de art. 9600001417) está concebida para enfriar y congelar alimentos.

El aparato está diseñado para ser conectado a una caja de enchufe de 12/24 V $\overline{=}$ de la red de a bordo de un automóvil (mechero del vehículo) o de una autocaravana.

El aparato también es adecuado para su uso en campings. El aparato no debe estar expuesto a la lluvia.



NOTA

Para el funcionamiento del aparato en una red de corriente alterna de 220 – 240 V, recomendamos el uso de un rectificador de corriente (**accesorio**).



¡ATENCIÓN! ¡Riesgo para la salud!

Compruebe si la potencia de refrigeración del aparato cumple las exigencias de los alimentos o medicamentos que desea enfriar.

4 Volumen de entrega

- Nevera
- Cable de conexión para 12/24 V $\overline{=}$
- Correa de hombro

5 Descripción técnica

En la nevera se pueden enfriar, mantener fríos y congelar productos. La refrigeración se realiza a través de un circuito de refrigeración, exento de mantenimiento, con compresor.

La nevera está prevista para un uso portátil.

Cuando se utiliza en vehículos, la nevera se puede asegurar con el cinturón de seguridad.

Un controlador de batería conmutable integrado en el aparato protege la batería del vehículo de una descarga excesiva (véase capítulo "Uso del controlador de batería" en la página 46).

Si se presenta un fallo en la electrónica interna, se puede mantener la refrigeración por medio de un interruptor de emergencia.

5.1 Descripción del aparato

Posición en la fig. **1**, página 3

Pos.	Denominación
1	Panel de mandos
2	Soporte de bebidas
3	Ranura para cinturón de seguridad
4	LED de iluminación interior
5	Compartimento de refrigeración
6	Congelador
7	Cierre
8	Superficie antideslizante
9	Asideros
10	Correa de hombro
11	Conectores
12	Interruptor de emergencia

5.2 Elementos de mando y de indicación

Panel de mandos (fig. 2, página 3)

Pos.	Denominación	Explicación
1	Pulsador de encendido / apagado	Enciende o apaga la nevera cuando se pulsa la tecla durante uno o dos segundos
2	POWER	Indicación del modo de funcionamiento
		LED iluminado en verde Compresor activado; todavía no se ha alcanzado la temperatura ajustada.
		LED iluminado en naranja Se ha alcanzado la temperatura ajustada.
		LED intermitente en naranja Tensión demasiado baja
3	ERROR	LED intermitente en rojo: La nevera está encendida pero no lista para funcionar.
4	SET	Selecciona el modo de entrada de datos: <ul style="list-style-type: none"> • ajuste de la temperatura • ajuste de la unidad de temperatura (grados centígrados o Fahrenheit) • ajuste del controlador de batería
5	Pantalla	Indica la temperatura del compartimento de refrigeración. Las primeras tres posiciones de la pantalla muestran la temperatura y la cuarta indica la unidad (°C o °F). En caso de error, la pantalla muestra el mensaje de error "Err1" o "Err2".
6	+	Pulsando una vez, aumenta el valor de entrada seleccionado.
7	-	Pulsando una vez, disminuye el valor de entrada seleccionado.

6 Manejo

El aparato está provisto de un LED de iluminación interior que permanece encendido cuando hay tensión. El consumo de energía de este LED es extremadamente bajo e irrelevante en comparación con el consumo total de energía del aparato.

6.1 Antes del primer uso

**NOTA**

Por razones de higiene, debería limpiar la nevera por dentro y por fuera con un paño húmedo antes de ponerla en funcionamiento (véase también el capítulo “Limpieza y mantenimiento” en la página 49).

6.2 Consejos para el ahorro de energía

- Elija un lugar de emplazamiento correctamente ventilado y protegido de la radiación solar.
- Antes de introducir alimentos calientes, deje que se enfríen.
- Evite abrir la nevera más de lo necesario.
- No deje la tapa abierta más tiempo del necesario.
- Descongele la nevera cuando se forme una capa de escarcha.
- No regule una temperatura innecesariamente baja en el interior.

6.3 Bloquear la nevera

- Cierre la tapa.
- Presione el cierre (fig. **1** 7, página 3) hacia abajo hasta que lo oiga encajar.

6.4 Conectar al mechero del vehículo

**NOTA**

Cuando conecte la nevera al mechero del vehículo, tenga en cuenta que puede ser que tenga que conectar el encendido del vehículo para que la nevera reciba corriente.

6.5 Asegurar la nevera en el vehículo

- Abra la tapa de la nevera.
- Coloque el cinturón de seguridad en la ranura (fig. **1** 3, página 3) prevista en la nevera.
- Cierre la tapa.
- Encaje el cinturón de seguridad y ténselo.

6.6 Encender la nevera



¡AVISO! ¡Peligro de ocasionar daños en el aparato!

- Asegúrese de que quede constantemente garantizada una salida adecuada del calor que se desprende durante el funcionamiento. Evite que se obstruyan las ranuras de ventilación. Asegúrese de que el aparato guarde la suficiente distancia respecto a paredes u objetos, de forma que el aire pueda circular
- Asegúrese de que en la nevera sólo haya objetos o productos que puedan enfriarse a la temperatura ajustada.
- Antes de cargar la batería con un cargador rápido, desconéctela de la nevera y de otros consumidores. La sobretensión puede dañar el sistema electrónico de los aparatos.

La nevera puede funcionar con una tensión continua de 12 ó 24 V.

Por motivos de seguridad, la nevera está equipada con una protección electrónica contra inversión de polaridad y contra cortocircuitos.

- Coloque la nevera sobre una base firme. Preste atención a que no se obstruyan las ranuras de ventilación y a que el aire recalentado se evacúe correctamente.
- Conecte el cable de conexión de 12/24 V al mechero del vehículo o a una caja de enchufe de 12/24 V en el vehículo.



NOTA

En el funcionamiento normal, el interruptor de emergencia (fig. **1** 12, página 3) se tiene que encontrar en la posición "Normal".

- Presione durante tres segundos el pulsador de encendido/apagado (fig. **2** 1, página 3).

- ✓ El LED "POWER" (fig. **2** 2, página 3) se ilumina en verde.
Cuando la nevera ha alcanzado la temperatura ajustada, el LED se ilumina en naranja.
- ✓ La pantalla (fig. **2** 5, página 3) se enciende e indica la temperatura de enfriamiento actual.
- ✓ La nevera empieza a enfriar el interior.

6.7 Regular la temperatura

- Presione el pulsador "SET" (fig. **2** 4, página 3) una vez.
- Con los pulsadores "+" (fig. **2** 6, página 3) o "-" (fig. **2** 7, página 3) ajuste la temperatura de enfriamiento.
- ✓ La pantalla indica durante unos segundos la temperatura de enfriamiento ajustada. La pantalla parpadea algunas veces antes de volver a mostrar la temperatura actual.

6.8 Seleccionar la unidad de temperatura

Para la indicación de temperatura puede elegir entre grados centígrados o Fahrenheit. Para ello proceda de la siguiente manera:

- Encienda la nevera.
- Presione el pulsador "SET" (fig. **2** 4, página 3) dos veces.
- Ajuste con los pulsadores "+" (fig. **2** 6, página 3) o "-" (fig. **2** 7, página 3) la unidad de temperatura grados centígrados o Fahrenheit.
- ✓ La pantalla indica durante unos segundos la unidad de temperatura ajustada. La pantalla parpadea algunas veces antes de volver a mostrar la temperatura actual.

6.9 Uso del controlador de batería



¡AVISO! ¡Peligro de ocasionar daños materiales!

Cuando el controlador desconecta la batería, ésta ya no dispone de su carga plena. Evite continuos arranques o poner en funcionamiento otros consumidores de corriente sin haber recargado suficientemente la batería. Asegúrese de recargar la batería.

El aparato está equipado con un controlador de batería de varios niveles que evita que la batería del vehículo se descargue excesivamente al utilizar la red de a bordo de 12/24 V.

En caso de poner en funcionamiento la nevera en el vehículo con el contacto apagado, ésta se apagará automáticamente en cuanto la tensión de alimentación descienda por debajo de un valor programable. La nevera vuelve a encenderse tan pronto como se cargue la batería y se alcance la tensión de alimentación de reconexión.



NOTA

Si debido a una tensión demasiado baja el controlador de batería desconecta el aparato, se apaga la pantalla (fig. 2 5, página 3) y el LED "Power" (fig. 2 2, página 3) parpadea en naranja.

En el modo "HIGH" el controlador de batería se activa antes que en el nivel "LOW" y "MED" (véase la siguiente tabla).

Modo del controlador de batería	LOW	MED	HIGH
Tensión de desconexión a 12 V	10,1 V	11,4 V	11,8 V
Tensión de reconexión a 12 V	11,1 V	12,2 V	12,6 V
Tensión de desconexión a 24 V	21,5 V	24,1 V	24,6 V
Tensión de reconexión a 24 V	23,0 V	25,3 V	26,2 V

Para cambiar el modo del controlador de batería, proceda como sigue:

- Encienda la nevera.
- Presione el pulsador "SET" (fig. 2 4, página 3) tres veces.
- Ajuste con los pulsadores "+" (fig. 2 6, página 3) o "-" (fig. 2 7, página 3) el modo del controlador de batería.
- ✓ La pantalla indica durante unos segundos el modo del controlador de batería. La pantalla parpadea algunas veces antes de volver a mostrar la temperatura actual.

**NOTA**

Cuando la nevera está alimentada por la batería de arranque, seleccione el modo del controlador de batería "HIGH". Cuando la nevera está conectada a una batería de alimentación, es suficiente el modo de controlador de batería "LOW".

Cuando utilice la nevera portátil conectada a la red de corriente alterna, ponga el controlador de batería en la posición "LOW".

6.10 Uso del interruptor de emergencia

El aparato está equipado con un interruptor de emergencia. Con él se puede mantener el enfriamiento cuando se presenta un fallo en la electrónica interna.

**NOTA**

En el funcionamiento normal, el interruptor de emergencia (fig. **1** 12, página 3) se tiene que encontrar en la posición "Normal".

- Si falla la electrónica interna, coloque el interruptor de emergencia en la posición "Emergencia".

6.11 Apagar la nevera

- Vacíe la nevera.
- Apague la nevera presionando durante tres segundos el pulsador de encendido/apagado (fig. **2** 1, página 3).
- Desenchufe la nevera.

Si no va a usar la nevera durante un largo período de tiempo:

- Deje la tapa ligeramente abierta. De esta forma, evitará la formación de olores.

6.12 Descongelar la nevera

Es posible que la humedad del aire se deposite en forma de escarcha en el evaporador o en el interior de la nevera, disminuyendo de este modo la potencia frigorífica.

Descongele a tiempo el aparato.



¡AVISO! ¡Peligro de ocasionar daños en el aparato!

Nunca utilice herramientas duras o puntiagudas para retirar capas de hielo o soltar productos que se hayan adherido al congelarse.

Para descongelar la nevera, proceda como se indica a continuación:

- Extraiga los productos del congelador.
- En caso necesario, coloque los productos en otro frigorífico para mantenerlos fríos.
- Apague el aparato.
- Deje abierta la tapa.
- Seque con un paño el agua descongelada.

6.13 Cambiar el fusible de la clavija (12/24 V)

- Saque el casquillo de compensación (fig. **3** 4, página 4) de la clavija.
- Desatornille el tornillo (fig. **3** 5, página 4) de la mitad superior de la carcasa (fig. **3** 6, página 4).
- Levante con cuidado la mitad superior de la carcasa separándola de la mitad inferior (fig. **3** 1, página 4).
- Extraiga la clavija de contacto (fig. **3** 3, página 4).
- Cambie el fusible averiado (fig. **3** 2, página 4) por otro nuevo del mismo valor (T8A 32V).
- Vuelva a montar la clavija procediendo en el orden inverso.

7 Limpieza y mantenimiento



¡ADVERTENCIA!

Desconecte el aparato de la red antes de proceder con la limpieza o el mantenimiento del mismo.



¡AVISO! ¡Peligro de ocasionar daños materiales!

- Nunca limpie la nevera bajo el chorro de agua corriente ni inmersa en agua jabonosa.
- No emplee productos de limpieza corrosivos u objetos que puedan arañar o deteriorar el aparato durante su limpieza.

- Limpie de vez en cuando el interior y el exterior de la nevera con un paño húmedo.
- Asegúrese de que las aberturas de ventilación y desaireación del aparato están limpias de polvo para que se pueda evacuar el calor generado durante el funcionamiento y el aparato no resulte perjudicado.

8 Solución de averías

Avería	Posible causa	Solución propuesta
El aparato no funciona, el LED "POWER" no se ilumina.	No hay tensión en la caja de enchufe de 12/24 V (mechero) del vehículo.	En la mayoría de los vehículos debe estar conectado el interruptor de encendido para que el mechero tenga corriente.
El aparato no refrigera (el enchufe está enchufado, el LED "POWER" se ilumina).	Compresor averiado.	Sólo un servicio de atención al cliente autorizado puede realizar la reparación.
El aparato no enfría (el enchufe está enchufado, el LED "POWER" parpadea en naranja, la pantalla está vacía).	La tensión en la caja de enchufe de 12/24 V es demasiado baja.	Compruebe la batería y cárguela si fuera necesario. Compruebe los cables y las conexiones.

Avería	Posible causa	Solución propuesta
<p>En el funcionamiento conectado a la caja de enchufe de 12/24 V (mechero del vehículo): el encendido está conectado, pero el aparato no funciona y el LED "POWER" no está iluminado.</p> <p>Desenchufe la nevera y realice las siguientes comprobaciones.</p>	<p>El alojamiento del mechero está sucio, y, en consecuencia, el contacto eléctrico es defectuoso.</p>	<p>Cuando la clavija se calienta demasiado en el alojamiento del mechero, puede ser que dicho alojamiento esté sucio, en cuyo caso se deberá limpiar, o también es posible que no se haya montado la clavija correctamente.</p>
	<p>Se ha fundido el fusible de la clavija de 12/24 V.</p>	<p>Cambie el fusible de la clavija de 12/24 V (fig. 3 2, página 4).</p>
	<p>Se ha fundido el fusible del vehículo.</p>	<p>Cambie el fusible de la caja de enchufe de 12/24 V (normalmente 15 A). (Consulte para ello las instrucciones de su vehículo.)</p>
<p>El LED "ERROR" parpadea y la pantalla muestra "ERR1" o "ERR2".</p>	<p>Aparato averiado.</p>	<p>Sólo un servicio de atención al cliente autorizado puede realizar la reparación.</p>


9 Gestión de residuos

- Deseche el material de embalaje en el contenedor de reciclaje correspondiente.



Cuando vaya a desechar definitivamente el producto, infórmese en el centro de reciclaje más cercano o en un comercio especializado sobre las normas pertinentes de eliminación de materiales.

10 Datos técnicos

	CDF 11
Art. n.º:	9600001417
Capacidad bruta:	10,5 litros
Tensión de conexión:	12/24 V==
Consumo de potencia:	máx. 30 W
Clase de clima:	N
Potencia frigorífica:	+10 °C hasta -18 °C (+50 °F hasta -0,4 °F)
Cantidad de refrigerante:	28 g (0,06 lbs)
Equivalente a CO ₂ :	0,040 t (88,18 lbs)
Índice GWP:	1430
Dimensiones:	540 x 235 x 358 mm (21,26 in x 9,25 in x 14,09 in)
Peso	8,2 kg (18,08 lbs)
Rango de temperatura de funcionamiento:	18 °C hasta 43 °C (+64,4 °F hasta 109,4 °F)
Homologación / certificados:	



NOTA

A partir de temperaturas ambiente superiores a 32 °C (90 °F), ya no se puede alcanzar la temperatura mínima.

El circuito de refrigeración contiene R134a.

Contiene gases de efecto invernadero fluorados

Aparato sellado herméticamente

Por favor, leia atentamente este manual antes da colocação em funcionamento do aparelho e guarde-o em local seguro. Em caso de revenda do aparelho, entregue o manual ao novo comprador.

O fabricante não se responsabiliza por danos resultantes de uma **utilização inadequada** ou de uma **operação incorrecta**.

Índice

1	Explicação dos símbolos	53
2	Indicações de segurança	53
3	Utilização adequada	56
4	Material fornecido	56
5	Descrição técnica	57
6	Operação	59
7	Limpeza e manutenção	65
8	Resolução de falhas	66
9	Eliminação	66
10	Dados técnicos	67

1 Explicação dos símbolos

**AVISO!**

Indicação de segurança: o incumprimento pode provocar a morte ou ferimentos graves.

**PRECAUÇÃO!**

Indicação de segurança: o incumprimento pode provocar ferimentos.

**NOTA!**

O incumprimento pode causar danos materiais e pode prejudicar o funcionamento do produto.

**OBSERVAÇÃO**

Informações suplementares sobre a operação do produto.

2 Indicações de segurança

2.1 Segurança geral

**AVISO!**

- Quando o aparelho apresentar danos visíveis, ele não deve ser colocado em funcionamento.
- Quando o cabo de conexão for danificado, o mesmo tem de ser substituído pelo fabricante, pela sua assistência técnica ou por uma pessoa com qualificações equivalentes para evitar perigos.
- As reparações neste aparelho apenas devem ser realizadas por técnicos especializados. As reparações inadequadas podem provocar perigos substanciais.
- Este aparelho pode ser utilizado por crianças a partir dos 8 anos, assim como por pessoas com capacidades físicas, sensoriais ou mentais reduzidas e/ou com insuficiente experiência e conhecimento, quando supervisionadas ou quando tenham recebido informação acerca da utilização segura do aparelho e tenham compreendido os perigos dele resultantes.

- A limpeza e a manutenção por parte do utilizador não podem ser efetuadas por crianças sem supervisão.
- As crianças não podem brincar com o aparelho.
- As crianças devem ser supervisionadas para garantir que não brincam com o aparelho.
- Guarde e utilize o aparelho fora do alcance de crianças com idade inferior a 8 anos.
- Não guarde as substâncias com risco de explosão, como p.ex. latas de spray com gás carburante inflamável, no aparelho.

**PRECAUÇÃO!**

- Separe o aparelho da rede
 - antes de cada limpeza e conservação
 - após cada utilização
- Os géneros alimentícios apenas podem ser armazenados nas embalagens originais ou recipientes adequados.

**NOTA!**

- Compare a indicação da tensão na placa de características com a alimentação de energia existente.
- Ligue o aparelho apenas com o cabo de ligação DC à tomada de bordo DC (p. ex. isqueiro) no veículo.
- Conecte o aparelho apenas do seguinte modo:
 - com o cabo de ligação DC à tomada de bordo DC (p. ex. isqueiro) no veículo.
 - ou com o cabo de ligação de AC à rede de corrente alternada
- Conecte o aparelho com o cabo de ligação de AC à rede de corrente alternada.
- Nunca retire a ficha da tomada eléctrica puxando pelo cabo de conexão.
- Se a geleira estiver ligada à tomada DC: Desconecte a sua geleira e outros consumidores da bateria antes de conectar um carregador rápido.
- Se a geleira estiver ligada à tomada DC: Separe a ligação ou desligue a geleira se desligar o motor. Caso contrário, a bateria pode ficar descarregada.
- A geleira não é adequada para o transporte de substâncias corrosivas ou substâncias com solventes.

- Este aparelho contém ciclopentano inflamável no isolamento. Os gases no material de isolamento requerem um processo de eliminação especial. No final da sua vida útil, entregue o aparelho num ponto de eliminação apropriado.

2.2 Segurança durante a utilização do aparelho



PRECAUÇÃO!

- Antes da colocação em funcionamento, tenha atenção para que o cabo de conexão e a ficha estejam secos.



NOTA!

- Não utilize aparelhos eléctricos dentro da geleira, excepto se estes aparelhos tiverem sido recomendados pelo fabricante.
- Não coloque o aparelho na proximidade de chamas abertas ou outras fontes de calor (aquecimento, radiação solar intensa, fogões a gás, etc.).
- **Perigo de sobreaquecimento!**
Tenha sempre atenção para que o calor gerado durante o funcionamento possa ser dissipado adequadamente. Certifique-se de que o aparelho está posicionado com uma distância suficiente em relação a paredes ou objectos de modo a que o ar possa circular livremente.
- Tenha atenção para que as aberturas de ventilação não sejam cobertas.
- Não verta líquidos ou gelo para dentro do recipiente interior.
- Nunca mergulhe o aparelho em água.
- Proteja o aparelho e os cabos do calor e da humidade.

3 Utilização adequada

A geleira CDF11 (n.º art. 9600001417) é apropriada para refrigerar e congelar alimentos.

O aparelho foi concebido para funcionar através de uma tomada de bordo de 12/24 V \equiv de um veículo (isqueiro) ou de uma caravana.

O aparelho também é adequado para o campismo. O aparelho não pode ser exposto à chuva.



OBSERVAÇÃO

Para o funcionamento do aparelho na rede de corrente alternada de 220 – 240 V, recomendamos a utilização de um retificador de rede (**acessório**).



PRECAUÇÃO! Risco para a saúde!

Por favor, verifique se a potência de refrigeração do aparelho cumpre os requisitos dos alimentos ou dos medicamentos que pretende refrigerar.

4 Material fornecido

- Geleira
- Cabo de ligação para 12/24 V \equiv
- Correia de ombro

5 Descrição técnica

A geleira pode refrigerar géneros e mantê-los no frio assim como congelá-los. O arrefecimento é feito através de um circuito de refrigeração com compressor que não carece de manutenção.

A geleira é adequada para a utilização móvel.

Na utilização em veículos, a geleira pode ser fixada com o cinto de segurança.

Um monitorizador da bateria conectável, integrado no aparelho protege a bateria do seu veículo contra descarregamento demasiado profundo (ver capítulo “Utilizar o monitorizador da bateria” na página 62).

Se ocorrer um erro no sistema eletrónico interno, a refrigeração pode ser mantida através de um interruptor de emergência.

5.1 Descrição do aparelho

Posição na fig. **1**, página 3

Pos.	Designação
1	Painel de controlo
2	Suporte de bebidas
3	Guia para cinto de segurança
4	Iluminação interior LED
5	Compartimento de refrigeração
6	Congelador
7	Bloqueio
8	Superfície antiderrapante
9	Pegas
10	Correia de ombro
11	Tomada de ligação
12	Interruptor de emergência

5.2 Elementos de comando e de indicação

Painel de controlo (fig. 2, página 3)

Pos.	Designação	Explicação	
1	Interruptor de ligar/desligar	Liga ou desliga a geleira quando o botão é pressionado durante um a dois segundos	
2	POWER	Indicação de funcionamento	
		LED acende a verde	Compressor ligado, a temperatura regulada ainda não foi alcançada
		LED acende a laranja	A temperatura regulada foi alcançada
		LED pisca a laranja	Tensão demasiado baixa
3	ERROR	LED pisca a vermelho: o aparelho está ligado mas não está operacional	
4	SET	Seleciona o modo de introdução <ul style="list-style-type: none"> Regular a temperatura Regular a unidade de temperatura (°Centígrados ou °Fahrenheit) Regular o monitorizador da bateria 	
5	Mostrador	Indica a temperatura no compartimento de refrigeração Os primeiros três dígitos do mostrador de quatro dígitos, indicam a temperatura, o quarto dígito indica a unidade de temperatura (°C ou °F). Em caso de avaria, o mostrador apresenta a mensagem de erro "Err1" ou "Err2".	
6	+	Ao tocar uma vez, o valor introduzido é aumentado	
7	-	Ao tocar uma vez, o valor introduzido é reduzido	

6 Operação

O aparelho está equipado com uma iluminação interior LED que se mantém ligada quando existe tensão. O consumo de energia desta iluminação interior LED é extremamente baixo e imbatível em comparação com o consumo de energia total do aparelho.

6.1 Antes da primeira utilização



OBSERVAÇÃO

Por motivos de higiene, antes de colocar a nova geleira em funcionamento, deve limpar o seu interior e exterior com um pano húmido (ver também capítulo “Limpeza e manutenção” na página 65).

6.2 Dicas para poupar energia

- Escolha um local de utilização bem arejado e protegido de raios solares.
- Primeiro, deixe as refeições quentes arrefecer antes de as manter frescas.
- Não abra a geleira mais do que as vezes necessárias.
- Não deixe a tampa aberta durante mais tempo do que o necessário.
- Descongele a geleira logo que se tenha formado uma camada de gelo.
- Evite uma temperatura interna desnecessariamente baixa.

6.3 Bloquear a geleira

- ▶ Feche a tampa.
- ▶ Pressione o bloqueio (fig. **1** 7, página 3) para baixo até ele engrenar de forma audível.

6.4 Conetar ao isqueiro



OBSERVAÇÃO

Se conetar a geleira ao isqueiro do seu veículo, lembre-se de que, eventualmente, terá de ligar a ignição para que o aparelho seja alimentado com corrente.

6.5 Fixar a geleira no veículo

- ▶ Abra a tampa da geleira.
- ▶ Coloque o cinto de segurança na guia (fig. **1** 3, página 3) da geleira.
- ▶ Feche a tampa.
- ▶ Encaixe o cinto de segurança e estique-o.

6.6 Ligar a geleira



NOTA! Perigo de danos!

- Tenha sempre atenção para que o calor gerado durante o funcionamento seja dissipado adequadamente. Tenha atenção para que as aberturas de ventilação não sejam obstruídas. Certifique-se de que o aparelho está posicionado com uma distância suficiente em relação a paredes ou objetos de modo a que o ar possa circular livremente.
- Tenha atenção para que na geleira apenas se encontrem objetos ou produtos que possam ser refrigerados para a temperatura selecionada.
- Desligue a geleira e outros consumidores da bateria antes de carregar a mesma com um carregador rápido. As sobretensões podem danificar o sistema eletrônico dos aparelhos.

A geleira pode funcionar com corrente contínua de 12 V ou de 24 V.

Para efeitos de segurança, a geleira está equipada com uma proteção eletrónica contra a inversão da polaridade quando é ligada à bateria e que também protege a geleira contra curto-circuitos.

- ▶ Coloque a geleira sobre uma superfície estável.
Tenha atenção para que as aberturas de ventilação não sejam cobertas e o ar aquecido possa sair adequadamente.
- ▶ Ligue o cabo de ligação de 12/24 V ao isqueiro ou a uma tomada de 12/24 V no veículo.



OBSERVAÇÃO

Em funcionamento normal, o interruptor de emergência (fig. **1** 12, página 3) tem de se encontrar na posição "Normal".

- ▶ Prima o interruptor de ligar/desligar (fig. **2** 1, página 3) durante três segundos.

- ✓ O LED "POWER" (fig. **2** 2, página 3) acende a verde.
Quando a geleira alcançar a temperatura memorizada, o LED acende a laranja.
- ✓ O mostrador (fig. **2** 5, página 3) liga-se e indica a temperatura de refrigeração atual.
- ✓ A geleira inicia a refrigeração do interior.

6.7 Regular a temperatura

- Prima uma vez o botão "SET" (fig. **2** 4, página 3).
- Regule a temperatura de refrigeração com os botões "+" (fig. **2** 6, página 3) ou "-" (fig. **2** 7, página 3).
- ✓ O mostrador indica, durante alguns segundos, a temperatura de refrigeração pretendida que foi regulada. O mostrador pisca algumas vezes antes de voltar a apresentar a temperatura atual.

6.8 Selecionar a unidade de temperatura

Poderá selecionar a indicação de temperatura entre os valores para °Centígrados e °Fahrenheit. Para esse efeito, proceda do seguinte modo:

- Ligue a geleira.
- Prima duas vezes o botão "SET" (fig. **2** 4, página 3).
- Regule a unidade de temperatura para Centígrados ou Fahrenheit com os botões "+" (fig. **2** 6, página 3) ou "-" (fig. **2** 7, página 3).
- ✓ O mostrador indica, durante alguns segundos, a unidade de temperatura que foi regulada. O mostrador pisca algumas vezes antes de voltar a apresentar a temperatura atual.

6.9 Utilizar o monitorizador da bateria



NOTA! Perigo de danos!

Quando a bateria é desligada pelo interruptor auxiliar, ela já não tem a capacidade de carga completa, evite arranques repetidos e a utilização de consumidores de corrente que não tenham fases de carregamento prolongadas. Tenha atenção para que a bateria seja recarregada.

O aparelho está equipado com um monitorizador da bateria com vários níveis que evita que a bateria do veículo se descarregue excessivamente ao ser ligada à rede de bordo de 12/24 V.

Se a geleira for operada com a ignição do veículo desligada, ela desliga-se automaticamente logo que a tensão de alimentação descer abaixo de um valor regulado. A geleira liga-se novamente assim que a tensão de ativação for alcançada graças ao carregamento da bateria.



OBSERVAÇÃO

Quando o aparelho é desligado do monitorizador da bateria devido a tensão demasiado baixa, o mostrador desliga-se (fig. 2 5, página 3) e o LED "Power" (fig. 2 2, página 3) pisca a laranja.

No modo "HIGH", o monitorizador da bateria é mais rapidamente ativado do que nos níveis "LOW" e "MED" (ver seguinte tabela).

Modo do monitorizador da bateria	LOW	MED	HIGH
Tensão de desligamento a 12 V	10,1V	11,4V	11,8V
Tensão de reativação a 12 V	11,1V	12,2V	12,6V
Tensão de desligamento a 24 V	21,5V	24,1V	24,6V
Tensão de reativação a 24 V	23,0V	25,3V	26,2V

Para alterar o modo do monitorizador da bateria, proceda do seguinte modo:

- ▶ Ligue a geleira.
- ▶ Prima três vezes o botão "SET" (fig. 2 4, página 3).
- ▶ Com os botões "+" (fig. 2 6, página 3) ou "-" (fig. 2 7, página 3), regule o modo do monitorizador da bateria.
- ✓ O mostrador indica, durante alguns segundos, o modo regulado. O mostrador pisca algumas vezes antes de voltar a apresentar a temperatura atual.

**OBSERVAÇÃO**

Quando a geleira é alimentada pela bateria de arranque, selecione o modo do monitorizador da bateria "HIGH". Quando a geleira está conetada a uma bateria de alimentação, é suficiente o modo do monitorizador da bateria "LOW".

Quando pretender operar a geleira na rede de corrente alternada, regule o monitorizador da bateria para "LOW".

6.10 Utilizar o interruptor de emergência

O aparelho está equipado com um interruptor de emergência. Assim, pode manter a refrigeração se ocorrer uma falha no sistema eletrónico interno.

**OBSERVAÇÃO**

Em funcionamento normal, o interruptor de emergência (fig. **1** 12, página 3) tem de se encontrar na posição "Normal".

- Se ocorrer uma falha no sistema eletrónico interno: Coloque o interruptor de emergência na posição "Emergency".

6.11 Desligar a geleira

- Esvazie a geleira.
- Desligue a geleira. Prima o interruptor de ligar/desligar (fig. **2** 1, página 3) durante três segundos.
- Remova a ficha de conexão da tomada.

Se não pretender utilizar a geleira durante um período de tempo mais prolongado:

- Deixe a tampa ligeiramente aberta. Deste modo, evita a formação de odores.

6.12 Descongelar a geleira

A humidade do ar pode formar gelo no vaporizador ou no interior da geleira, o que reduz a potência de arrefecimento.

Descongele o aparelho atempadamente.



NOTA! Perigo de danos no aparelho!

Nunca utilize ferramentas duras ou pontiagudas para retirar as camadas de gelo ou para libertar objetos congelados.

Proceda do seguinte modo para descongelar a geleira:

- Retire os produtos.
- Se necessário, guarde-os num outro aparelho de refrigeração para que permaneçam frios.
- Desligue o aparelho.
- Deixe a tampa aberta.
- Limpe a água de degelo.

6.13 Substituir o fusível da ficha (12/24 V)

- Retire a bucha compensadora (fig. **3** 4, página 4) da ficha.
- Desaperte o parafuso (fig. **3** 5, página 4) da metade superior da caixa (fig. **3** 6, página 4).
- Afaste cuidadosamente a metade superior da caixa da metade inferior (fig. **3** 1, página 4).
- Retire o pino de contacto (fig. **3** 3, página 4).
- Substitua o fusível queimado (fig. **3** 2, página 4) por um fusível novo com as mesmas características (T8A 32V).
- Volte a montar a ficha na sequência inversa.

7 Limpeza e manutenção

**AVISO!**

Antes de cada limpeza e conservação, separe o aparelho da rede.

**NOTA! Perigo de danos!**

- Nunca limpe a geleira debaixo de água corrente nem dentro de água de lavar a loiça.
- Não utilize produtos de limpeza abrasivos ou objectos duros para a limpeza, uma vez que podem danificar a geleira.

- De vez em quando, limpe o interior e o exterior do aparelho com um pano húmido.
- Certifique-se que as aberturas de ventilação e extracção de ar do aparelho estão livres de pó e sujidade para que, durante o funcionamento, o ar quente possa ser extraído e o aparelho não seja danificado.

8 Resolução de falhas

Falha	Possível causa	Sugestão de solução
O aparelho não funciona, o LED "POWER" não acende.	A tomada de 12/24 V (isqueiro) do veículo não tem corrente.	Na maioria dos veículos, a ignição tem de estar ligada para que o isqueiro do veículo tenha corrente elétrica.
O aparelho não refrigera (ficha inserida na tomada, LED "POWER" acende).	Compressor avariado.	A reparação apenas pode ser realizada por um serviço de assistência técnica autorizado.
O aparelho não refrigera (ficha inserida na tomada, LED "POWER" pisca, mostrador desligado).	A tensão na tomada de 12/24 V é demasiado baixa.	Verifique a bateria e, se necessário, carregue-a. Verifique os cabos e as conexões.
No funcionamento numa tomada de 12/24 V (isqueiro): a ignição está ligada, o aparelho não funciona e o LED "POWER" não acende. Retire a ficha da tomada e realize as seguintes verificações.	O suporte do isqueiro está sujo. Isto resulta num mau contacto elétrico. O fusível da ficha de 12/24 V está queimado. O fusível do veículo está queimado.	Quando a ficha ficar muito quente no suporte do isqueiro do veículo, é necessário limpar o suporte ou é possível que a ficha não esteja montada corretamente. Substitua o fusível da ficha de 12/24 V (fig. 3 2, página 4). Substitua o fusível do veículo da tomada de isqueiro de 12/24 V (normalmente 15A) (para isso, consulte o manual de instruções do seu veículo).
O LED "ERROR" pisca e o mostrador apresenta "ERR1" ou "ERR2".	O aparelho está avariado.	A reparação apenas pode ser realizada por um serviço de assistência técnica autorizado.


9 Eliminação

- Sempre que possível, coloque o material de embalagem no respectivo contentor de reciclagem.



Para colocar o aparelho definitivamente fora de funcionamento, por favor, informe-se junto do centro de reciclagem mais próximo ou revendedor sobre as disposições de eliminação aplicáveis.

10 Dados técnicos

	CDF 11
N.º art.:	9600001417
Volume:	10,5 litros
Tensão de conexão:	12/24 V==
Consumo:	máx. 30 W
Classe climática:	N
Potência de refrigeração:	+10 °C a -18 °C (+50 °F a -0,4 °F)
Quantidade do agente de refrigeração:	28 g (0,06 lbs)
Equivalente a CO ₂ :	0,040 t (88,18 lbs)
Potencial de aquecimento global (GWP):	1430
Dimensões:	540 x 235 x 358 mm (21,26 in x 9,25 in x 14,09 in)
Peso	8,2 kg (18,08 lbs)
Gama de temperatura de serviço:	18 °C a 43 °C (+64,4 °F a 109,4 °F)
Verificação/Certificado:	



OBSERVAÇÃO

A partir de temperaturas ambiente acima de +32°C (+90°F), a temperatura mínima já não pode ser alcançada.

O circuito de refrigeração contém R134a.

Contém gases fluorados com efeito de estufa

Equipamento hermeticamente fechado

GERMANY**Dometic WAECO International GmbH**

Hollefeldstraße 63 · D-48282 Emsdetten
 ☎ +49 (0) 2572 879-195 · 📠 +49 (0) 2572 879-322
 Mail: info@dometic-waeco.de

dometic.com**AUSTRALIA****Dometic Australia Pty. Ltd.**

1 John Duncan Court
 Varsity Lakes QLD 4227
 ☎ 1800 212121
 📠 +61 7 55076001
 Mail: sales@dometic.com.au

AUSTRIA**Dometic Austria GmbH**

Neudorferstraße 108
 A-2353 Guntramsdorf
 ☎ +43 2236 908070
 📠 +43 2236 90807060
 Mail: info@dometic.at

BENELUX**Dometic Branch Office Belgium**

Zincstraat 3
 B-1500 Halle
 ☎ +32 2 3598040
 📠 +32 2 3598050
 Mail: info@dometic.be

BRAZIL**Dometic DO Brasil LTDA**

Avenida Paulista 1754, conj. 111
 SP 01310-920 Sao Paulo
 ☎ +55 11 3251 3352
 📠 +55 11 3251 3362
 Mail: info@dometic.com.br

DENMARK**Dometic Denmark A/S**

Nordensvej 15, Taulov
 DK-7000 Fredericia
 ☎ +45 75585966
 📠 +45 75586307
 Mail: info@dometic.dk

FINLAND**Dometic Finland OY**

Mestariitie 4
 FIN-01730 Vantaa
 ☎ +358 20 7413220
 📠 +358 9 7593700
 Mail: info@dometic.fi

FRANCE**Dometic SAS**

ZA du Pré de la Dame Jeanne
 B.P. 5
 F-60128 Pleilly
 ☎ +33 3 44633525
 📠 +33 3 44633518
 Mail: vehiculesdeloisirs@dometic.fr

HONG KONG**Dometic Group Asia Pacific**

Suites 2207-11 / 22/F - Tower 1
 The Gateway - 25 Canton Road,
 Tsim Sha Tsui - Kowloon
 ☎ +852 2 4611386
 📠 +852 2 4665553
 Mail: info@waeco.com.hk

HUNGARY**Dometic Zrt. Sales Office**

Kerekgyártó u. 5.
 H-1147 Budapest
 ☎ +36 1 468 4400
 📠 +36 1 468 4401
 Mail: budapest@dometic.hu

ITALY**Dometic Italy S.r.l.**

Via Virgilio, 3
 I-47122 Forlì (FC)
 ☎ +39 0543 754901
 📠 +39 0543 754983
 Mail: vendite@dometic.it

JAPAN**Dometic KK**

Maekawa-Shibaura, Bldg. 2
 2-13-9 Shibaura Minato-ku
 Tokyo 108-0023
 ☎ +81 3 5445 3333
 📠 +81 3 5445 3339
 Mail: info@dometic.jp

MEXICO**Dometic Mx, S. de R. L. de C. V.**

Circuito Médicos No. 6 Local 1
 Colonia Ciudad Satélite
 CP 53100 Naucalpan de Juárez
 Estado de México
 ☎ +52 55 5374 4108
 📠 +52 55 5393 4683
 Mail: info@dometic.com.mx

NETHERLANDS**Dometic Benelux B.V.**

Ecustraat 3
 NL-4879 NP Etten-Leur
 ☎ +31 76 5029000
 📠 +31 76 5029019
 Mail: info@dometic.nl

NEW ZEALAND**Dometic New Zealand Ltd.**

PO Box 12011
 Penrose
 Auckland 1642
 ☎ +64 9 622 1490
 📠 +64 9 622 1573
 Mail: customerservices@dometic.co.nz

NORWAY**Dometic Norway AS**

Østerøyveien 46
 N-3232 Sandefjord
 ☎ +47 33428450
 📠 +47 33428459
 Mail: firmapost@dometic.no

POLAND**Dometic Poland Sp. z o.o.**

Ul. Puławska 435A
 PL-02-801 Warszawa
 ☎ +48 22 414 3200
 📠 +48 22 414 3201
 Mail: info@dometic.pl

PORTUGAL**Dometic Spain, S.L.**

Branch Office em Portugal
 Rot. de São Gonçalo nº 1 – Esc. 12
 2775-399 Carcavelos
 ☎ +351 219 244 173
 📠 +351 219 243 206
 Mail: info@dometic.pt

RUSSIA**Dometic RUS LLC**

Komsomolskaya square 6-1
 RU-107140 Moscow
 ☎ +7 495 780 79 39
 📠 +7 495 916 56 53
 Mail: info@dometic.ru

SINGAPORE**Dometic Pte Ltd**

18 Boon Lay Way 06-140 Trade Hub 21
 Singapore 609966
 ☎ +65 6795 3177
 📠 +65 6862 6620
 Mail: dometic@dometic.com.sg

SLOVAKIA**Dometic Slovakia s.r.o. Sales Office Bratislava**

Nádražná 34/A
 900 28 Ivanka pri Dunaji
 ☎/📠 +421 2 45 529 680
 Mail: bratislava@dometic.com

SOUTH AFRICA**Dometic (Pty) Ltd.****Regional Office****South Africa & Sub-Saharan Africa**

2 Avalon Road
 West Lake View Ext 11
 Modderfontein 1645
 Johannesburg
 ☎ +27 11 4504978
 📠 +27 11 4504976
 Mail: info@dometic.co.za

SPAIN**Dometic Spain S.L.**

Avda. Sierra del Guadarrama, 16
 E-28691 Villanueva de la Cañada
 Madrid
 ☎ +34 91 833 60 89
 📠 +34 900 100 245
 Mail: info@dometic.es

SWEDEN**Dometic Scandinavia AB**

Gustaf Melins gata 7
 S-42131 Västra Frölunda
 ☎ +46 31 7341100
 📠 +46 31 7341101
 Mail: info@dometicgroup.se

SWITZERLAND**Dometic Switzerland AG**

Riedackerstrasse 7a
 CH-8153 Rümlang
 ☎ +41 44 8187171
 📠 +41 44 8187191
 Mail: info@dometic.ch

UNITED ARAB EMIRATES**Dometic Middle East FZCO**

P. O. Box 17860
 S-D 6, Jebel Ali Freezone
 Dubai
 ☎ +971 4 883 3858
 📠 +971 4 883 3868
 Mail: info@dometic.ae

UNITED KINGDOM**Dometic UK Ltd.**

Dometic House, The Brewery
 Blandford St. Mary
 Dorset DT11 9LS
 ☎ +44 344 626 0133
 📠 +44 344 626 0143
 Mail: customerservices@dometic.co.uk

USA**Dometic RV Division**

1120 North Main Street
 Elkhart, IN 46515
 ☎ +1 574-264-2131