

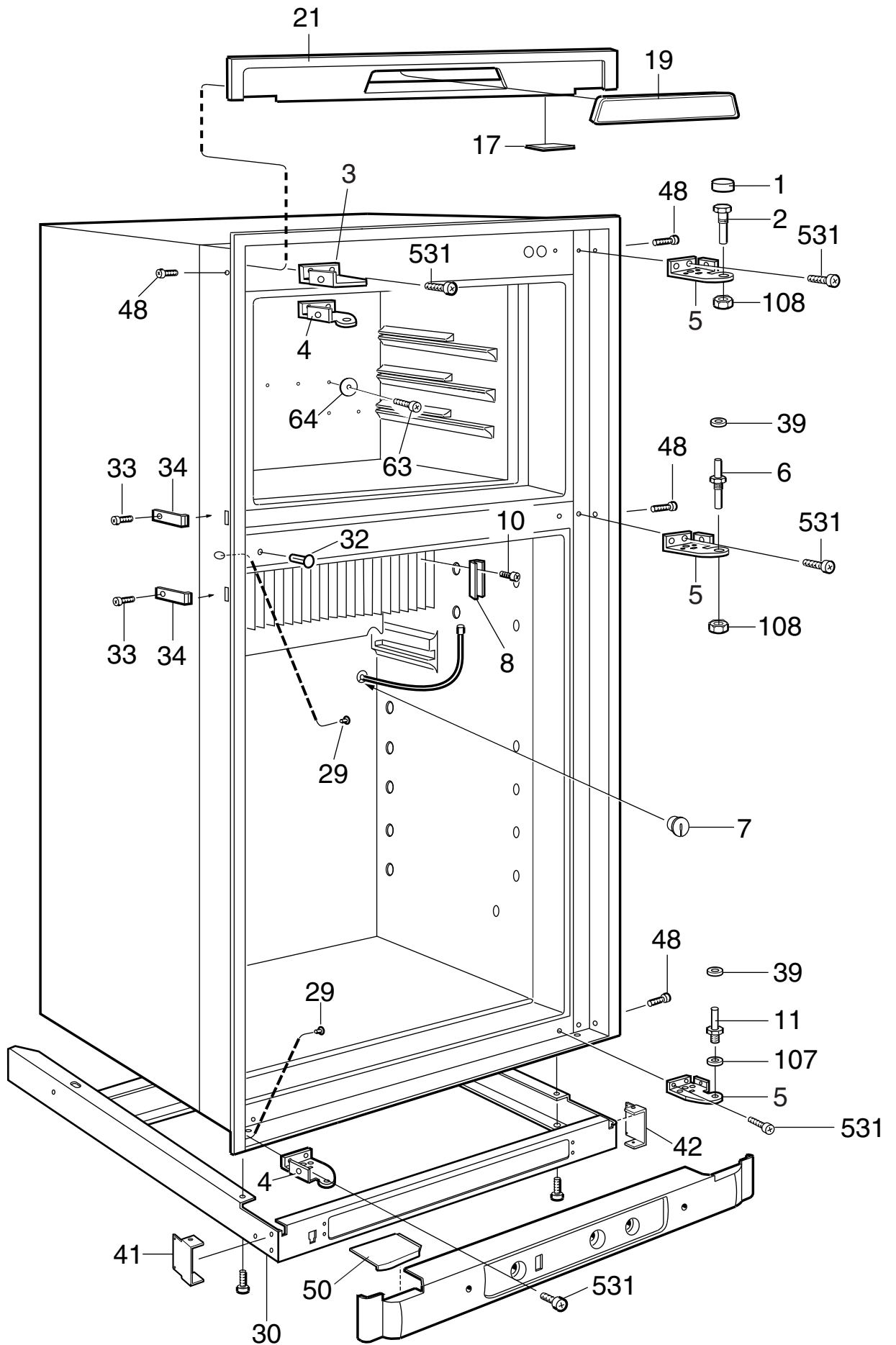
Absorption refrigerators  
3110

<b>PNC</b>	<b>ELC</b>	<b>Brand</b>	<b>Model</b>	<b>Market</b>
921144070	00	Dometic	RM4601	AU

Dometic Motala

Publication-No.  
599529978  
2007/06/05  
MO

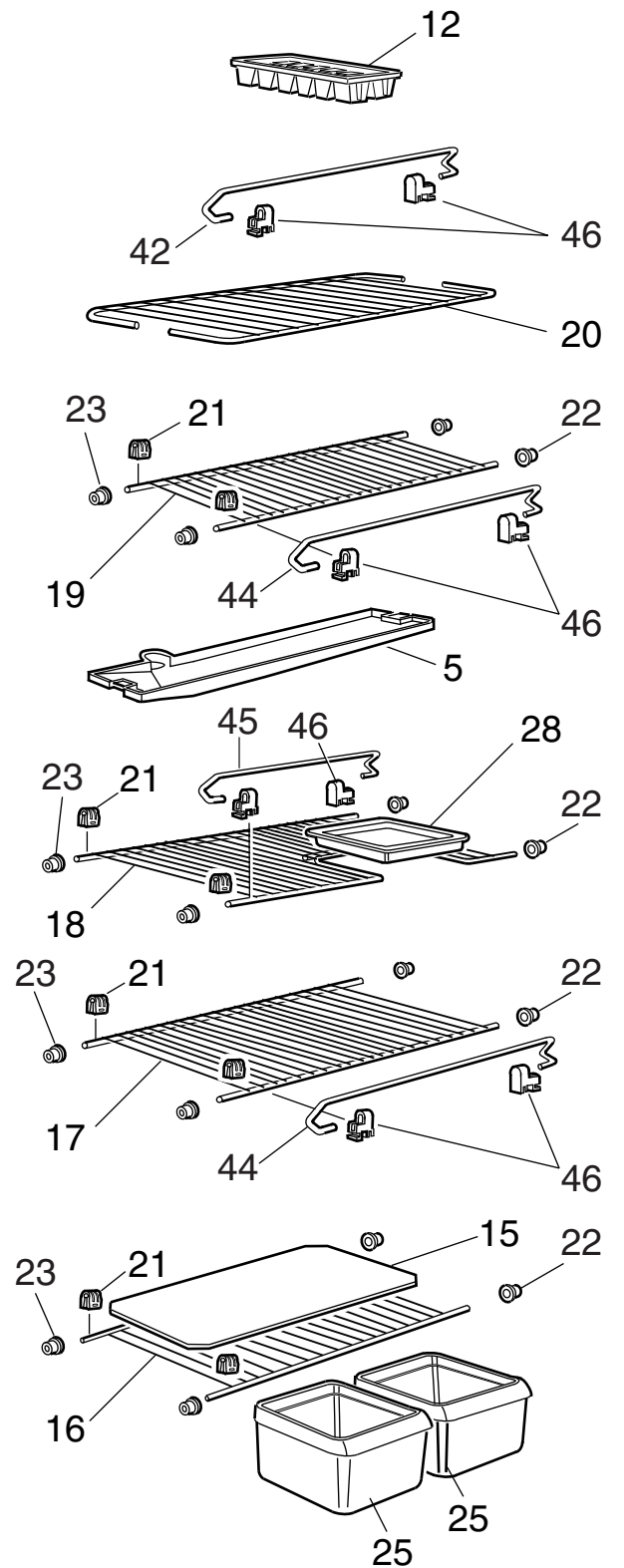
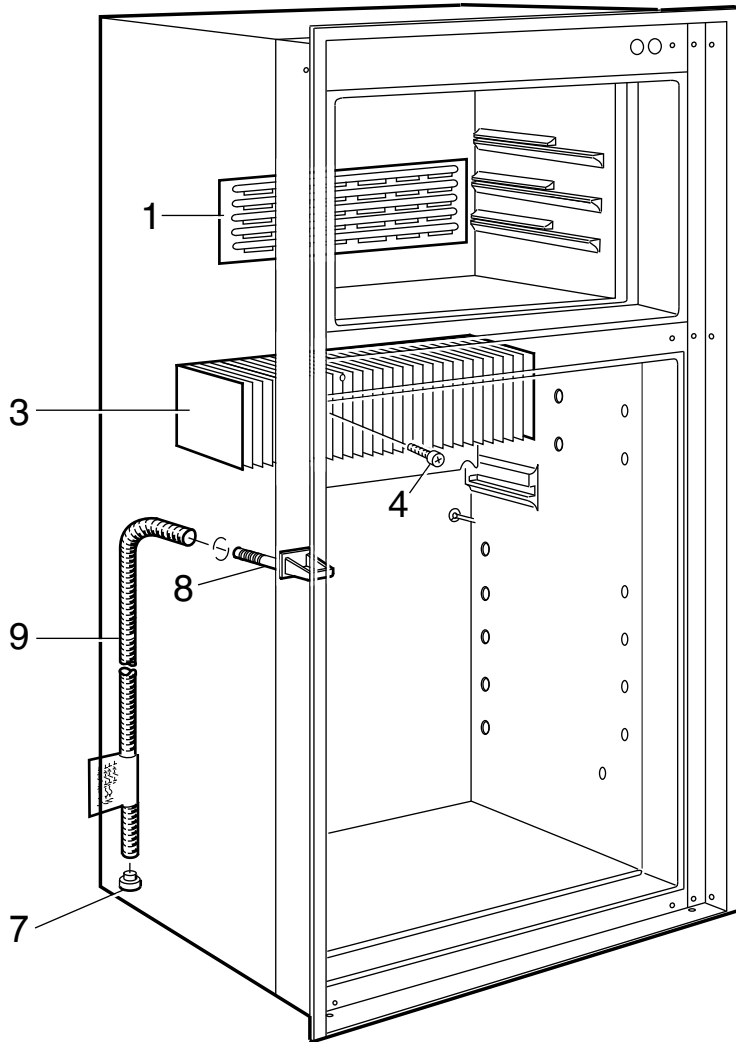
Caravan refrigerators



NCMOB2094756

<b>Matrix</b>	<b>PNC</b>	<b>ELC</b>	<b>ProdDate</b>	<b>Model</b>
A	921144070	00	20070605	RM4601

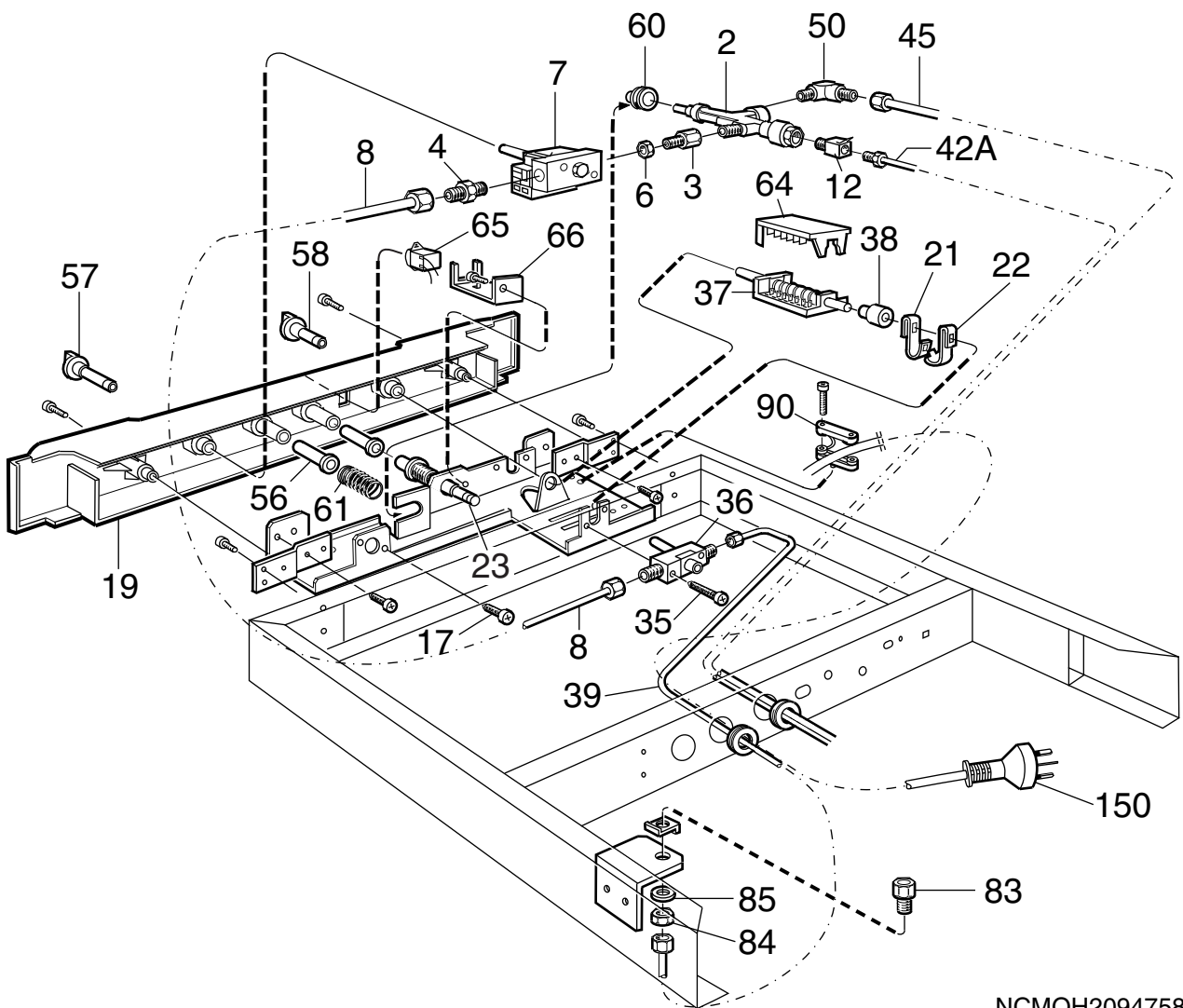
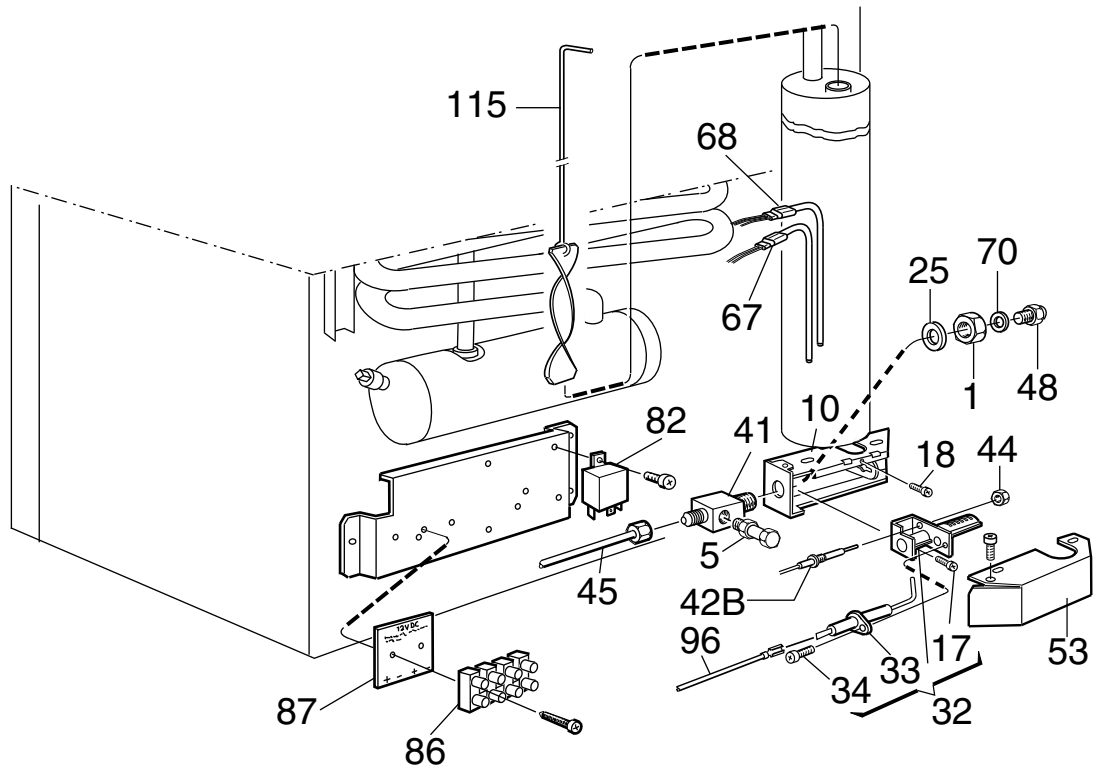
<b>Pos</b>	<b>Part No.</b>	<b>Matrix</b>	<b>Description</b>
1	2932736016	A	Cover
2	2932647015	A	Hinge pin, upper
3	2932644012	A	Bracket, left
3	2932644020	A	Bracket, right
4	2932643022	A	Hinge
5	2932643014	A	Hinge
6	2932648013	A	Hinge pin, middle
7	2002301006	A	Cover
8	2890050004	A	Clamp
10	3858002276	A	Screw, zinc-plated, RXS B8, 4, 2x16
11	2932649011	A	Hinge pin, lower
17	2932330018	A	Covering washer
19	2933043032	A	Cover plate, name plate
21	2932641018	A	Front, brown
29	2930740044	A	Cover
30	2932836022	A	Base
32	3850585047	A	Plug
33	3858002052	A	Screw, zinc-plated, RXS B6X6, 5
34	2932855014	A	Fastening bow
39	3858010089	A	Washer, zinc-plated, 5, 5X12X1
41	2932481019	A	Bracket
42	2932481027	A	Bracket
48	3858004058	A	Screw, zinc-plated, MRX M4X4
50	2932479013	A	Cover tray, left
50	2932479021	A	Cover tray, right
63	3858036019	A	Screw, zinc-plated, KFXS B10X38
64	3858010147	A	Washer, aluminium, 5.2x22x1.5
107	3858010113	A	Washer, zinc-plated, BRB 6, 4X12, 5
108	3858009040	A	Nut, zinc-plated, ML6 M6
300	2932750066	A	Door reversing kit, right opening
531	3858039047	A	Screw, zinc-plated, MRX M4X10



NCMOD2052924

Matrix	PNC	ELC	ProdDate	Model
A	921144070	00	20070605	RM4601

Pos	Part No.	Matrix	Description
1	2932728013	A	Coverplate
3	2932630029	A	Cooling flange
4	3858036019	A	Screw, zinc-plated, KFXS B10X38
5	2932624014	A	Evaporation tray
7	2932115013	A	Discharge pipe, plug
8	2932635010	A	Drain
9	2932749019	A	Drain hose, L=1375mm
12	2930400003	A	Ice tray
15	2931117176	A	Shelf, plastic
16	3850324025	A	Grating shelf
17	3850324017	A	Grating shelf
18	3850325014	A	Grating shelf
19	3850324033	A	Grating shelf
20	2932627025	A	Grating shelf
21	2932102011	A	Shelf support
22	2932101013	A	Plug
23	2932103019	A	Plug
25	2932621010	A	Vegetable box
28	2932636018	A	Box
42	2007337146	A	Rack
44	2007337211	A	Rack
45	2007337120	A	Rack
46	2930693045	A	Holder



NCMOH2094758

<b>Matrix</b>	<b>PNC</b>	<b>ELC</b>	<b>ProdDate</b>	<b>Model</b>
A	921144070	00	20070605	RM4601

<b>Pos</b>	<b>Part No.</b>	<b>Matrix</b>	<b>Description</b>
1	140207044	A	Nut
2	2931656017	A	Safety valve
3	2932591015	A	Nipple
4	2931338012	A	Nipple
5	2932097013	A	Nipple
6	2954070005	A	Nut
7	2931336032	A	Thermostat
8	2932619014	A	Gas pipe
10	2932603018	A	Burner housing
12	2955033002	A	Adaptor,thermo element
17	3858039039	A	Screw,zinc-plated,MRX M4X8
18	3858039047	A	Screw,zinc-plated,MRX M4X10
19	2932476027	A	Front,Base
21	2007577014	A	Spring
22	2007578004	A	Spring
23	2931796011	A	Piezo lighter
25	3858010071	A	Washer,12,5X18,5X1
32	2930697061	A	Burner
33	2930379009	A	Electrode
34	3858005014	A	Screw,zinc-plated,RXK B6X9,5
35	3858039070	A	Screw,zinc-plated,M4x25
36	2932617018	A	Gas cock
37	2932614015	A	Switch
38	2932602010	A	Bush
39	2933050011	A	Gas pipe
41	2931227017	A	Nipple
42A	2932726041	A	Thermo element,elongation,500
42B	2932726025	A	Thermo element,500
44	2801043015	A	Nut
45	2933049013	A	Gas pipe
48	2007419217	A	Jet,complete,no58
50	2930488008	A	Coupling
53	2932661016	A	Cover
56	2932596014	A	Push button
57	2932605021	A	Knob,complete
58	2932607027	A	Knob,complete
60	2932595016	A	Guidance
61	2932594019	A	Spring
64	2954023004	A	Cap
65	2955037011	A	Flame indicator
66	2933071017	A	Mounting plate
67	3850646039	A	Heater,275W, 12V
68	3850644257	A	Heater,325W, 240V
70	2007457001	A	Washer,0,5mm

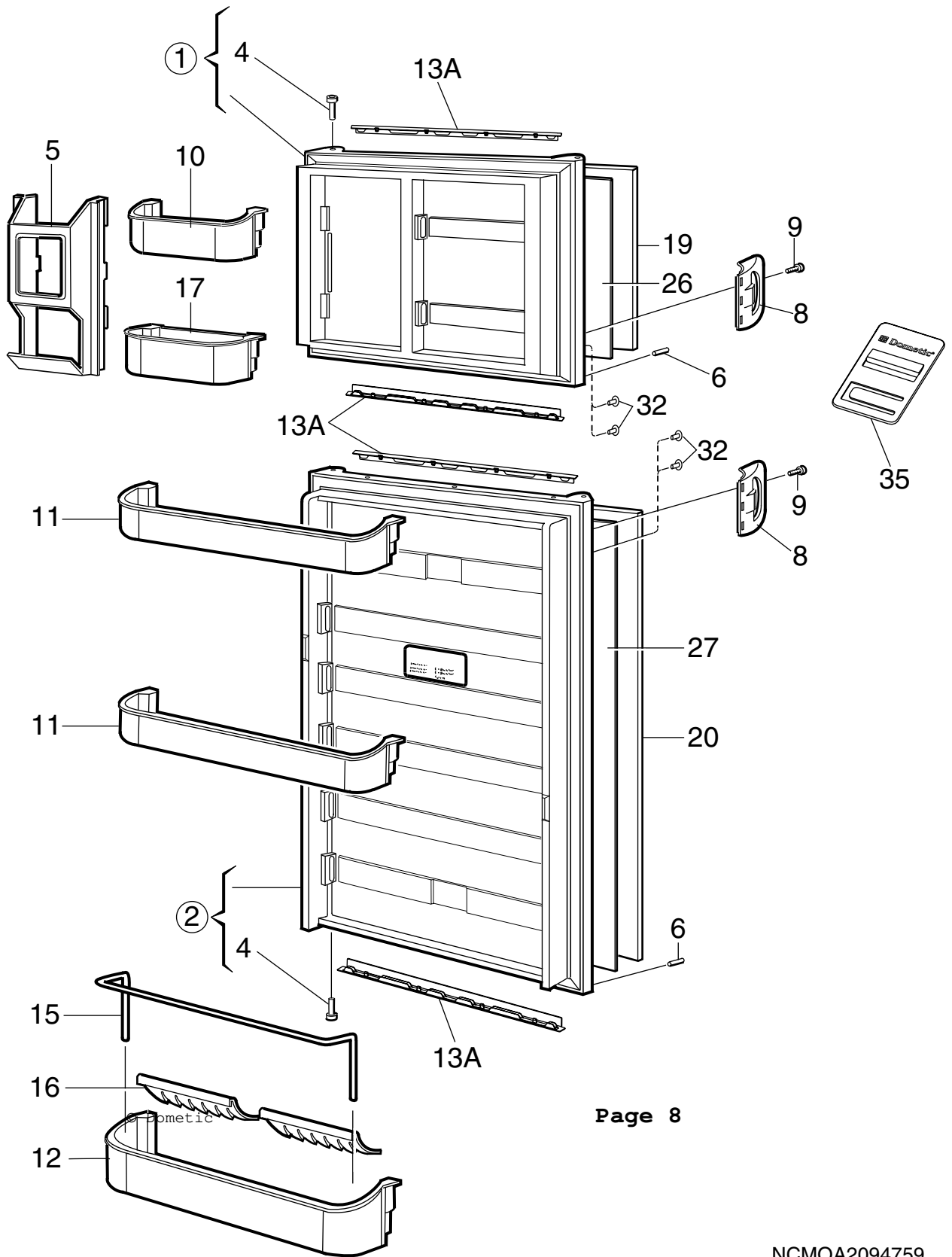
---

Exploded view no.: NCMOH2094758  
N00002094758

<b>Matrix</b>	<b>PNC</b>	<b>ELC</b>	<b>ProdDate</b>	<b>Model</b>
A	921144070	00	20070605	RM4601

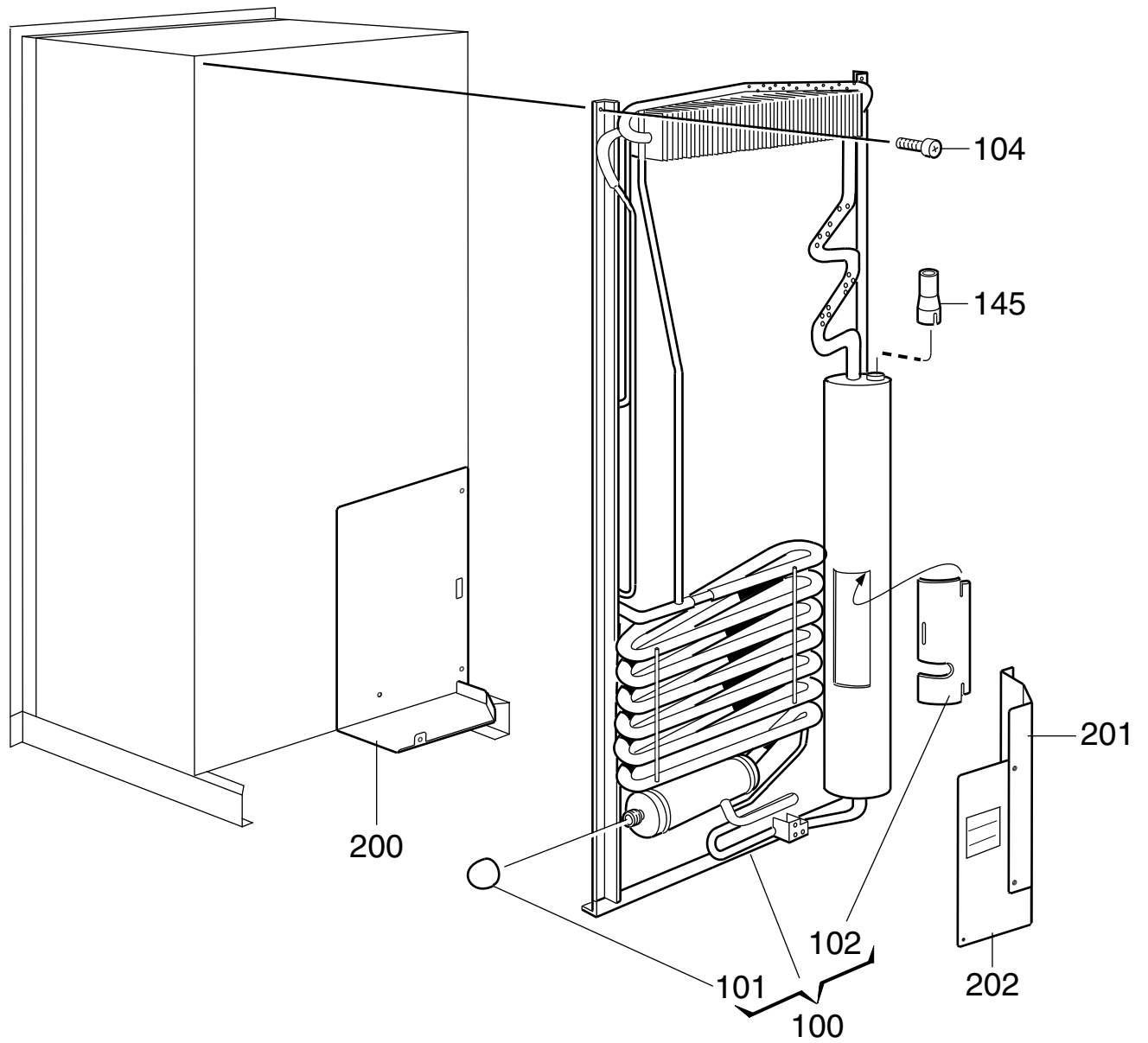
<b>Pos</b>	<b>Part No.</b>	<b>Matrix</b>	<b>Description</b>
82	2930385006	A	Relay
83	2954068009	A	Nipple
84	2954069007	A	Nut
85	3858055019	A	Washer
86	3858022035	A	Terminal block
87	2933067015	A	Insulating plate
90	2932342013	A	Cable clamp
96	2931360065	A	Ignition cable
115	2007590058	A	Flue,baffle
150	3850555032	A	Cord set





<b>Matrix</b>	<b>PNC</b>	<b>ELC</b>	<b>ProdDate</b>	<b>Model</b>
A	921144070	00	20070605	RM4601

<b>Pos</b>	<b>Part No.</b>	<b>Matrix</b>	<b>Description</b>
1	2932561109	A	Freezer door,right
2	2932563048	A	Refrigerator door,right
3	2932740018	A	Covering washer
4	2931171041	A	Hinge bushing
5	2932578020	A	Juice container
6	2932588011	A	Stopper
8	2932093012	A	Handle,brown
9	3858000031	A	Screw,brown,PT 50X26
10	2932577014	A	Door shelf
11	2932576016	A	Door shelf
12	2932575018	A	Bottle shelf
13A	3850919014	A	Decoration strip,brown
15	2932585033	A	Rack
16	2932658012	A	Bottle holder,white
17	2932579010	A	Ice container
19	2932468115	A	Door panel,freezer door
20	2932468099	A	Door panel,refrigerator door
26	2932469071	A	Cushion,door panel
27	2932469055	A	Cushion,door panel
32	3850625033	A	Plug,brown
35	3850781018	A	Spacer,door



NCMOE2094760

---

Exploded view no.: NCMOE2094760  
N00002094760

<b>Matrix</b>	<b>PNC</b>	<b>ELC</b>	<b>ProdDate</b>	<b>Model</b>
A	921144070	00	20070605	RM4601

<b>Pos</b>	<b>Part No.</b>	<b>Matrix</b>	<b>Description</b>
100	2934605094	A	Cooling unit,605
101	173228008	A	Cap
102	2933557007	A	Cover sheet
104	3858068012	A	Screw,DK 4.8X16
145	2932195015	A	Adaptor
200	3851300016	A	Cover plate
201	3851301014	A	Cover plate,side
202	3851302012	A	Cover plate,back
999	8227089078	A	User manual not shown