

When ordering parts, always state:
MODEL NO. - PRODUCT NO. - QUANTITY -
PART NUMBER - DESCRIPTION

For Electric Details also state:
VOLTAGE - WATTAGE

**B3300 Series
Roof Top Air Conditioner**

Used With

**3309278.004
Mechanical Air Distribution Box**

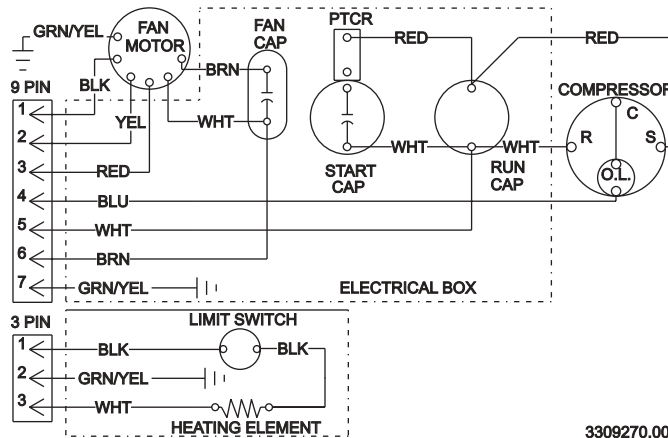
PARTS LIST

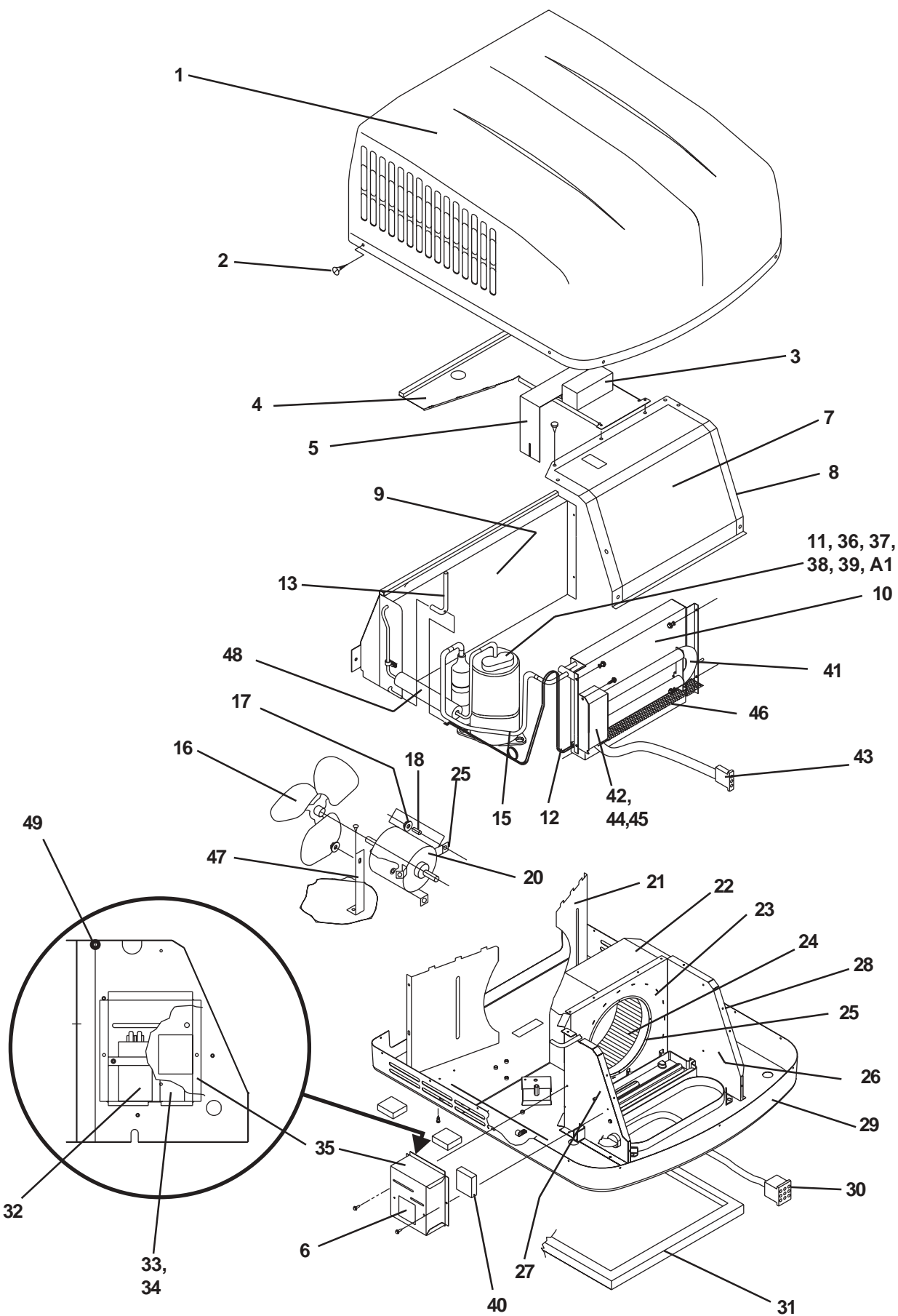
**TYPE
B3351.531G**

SPECIFICATIONS

TYPE NO.	NOMINAL CAPACITY (BTU/HR) COOLING	ELECTRICAL RATING	COMPRESSOR RATED LOAD AMPS	COMPRESSOR LOCKED ROTOR AMPS	FAN MOTOR RATED LOAD AMPS	FAN MOTOR LOCKED ROTOR AMPS	REFRIGERANT R-22 (OZ)	HEATER AMPS AT 220/240 VAC
B3351.531	11,075	220/240 VAC, 50 HZ., 1PH.	4.95/5.0	19.0/21.0	0.90	1.92	18.0	6.2/6.8

Wiring Diagram





Index No.	Description	Part No.
1	Shroud	3308084.015
2	Screw, Closed End Shroud (4 req.)	3308261.001
3	Block, Foam	3308922.008
4	Cover Condenser	3308459.019
5	Bracket, Compressor	3109109.003
6	Decal, Field Wiring	3309270.001
7	Insulation, Evaporator Cover	3105014.066
8	Cover, Evaporator	314885.002
9	Coil, Condenser	3100817.034
10	Coil, Evaporator	3105060.028
11	Asm, Compressor-2P192D2AB-02	3309061.004
A1	Overload	3100250.459
12	Capillary Tube (2 req.)	3100245.616
13	Line, Process	315761.082
14	Line, Suction	3309269.003
15	Line, Discharge	3108683.016
16	Blade, Fan	3107914.008
17	Nut, Flange Fan Motor (4 req.)	306342.003
18	Spacer, Fan Motor (4 req.)	308046.002
19	Grommet, Fan Motor (4 req.)	3100230.022
20	Motor, Fan	3309062.002
21	Condenser Bulkhead	3308459.001
22	Insulation, Blower Housing	3104153.014
23	Housing, Blower	3100865.033
24	Wheel, Blower	3104887.009
25	Ring, Blower Inlet	3106415.007
26	Bulkhead, Evaporator	3100831.084
27	Insulation, RH Evaporator Bulkhead	3108137.013
28	insulation, LH Evaporator Bulkhead	3108137.005
29	Kit, Basepan	3108709.928
30	Plug, 9 Pole	3106625.027
31	Gasket, Roof	3108678.008
32	Starter, Compressor Motor	3106732.005
33	Run Capacitor 25mfd	3100248.396
34	Fan Capacitor 5mfd (not shown)	3100248.628
35	Box, Electrical	3108030.002
36	Grommet, Compressor (3 req.)	3100238.165
37	Sleeve, Compressor (3 req.)	3100239.072
38	Nut, Flange Compressor (3 req)	306342.002
39	Screw, Compressor (3 req.)	307987.021
40	Block, Foam (7 req.)	3100587.009
41	Heat Element	3309060.006
42	Switch, Auto/limit (not shown)	3103785.006
43	Plug, 3 Pole	3106625.001
44	Cover, Heater	3104569.011
45	Strain Relief (not shown)	302994.018
46	Guard, Heater	3103821.001
47	Support, Motor	3103844.027
48	Insulation (1.5 Feet)	3109712.004
49	Grommet, Split Tangent	3109733.000
	Customer Options (Required)	
	Air Box Assembly (PW)	3309278.004