



SERVICE OFFICE
Dometic Corporation
For Information
Contact:
www.dometic.com

CARAVAN ROOF MOUNT HEAT PUMP MODEL B3200

used with following:
3100292.139 Air Distribution Box

When ordering parts, always state:
MODEL NO. - PRODUCT NO. - QUANTITY -
PARTNUMBER - DESCRIPTION
For Electric Details also state:
VOLTAGE - WATTAGE

PARTS LIST

TYPE
3254.331
Product Number
991760493

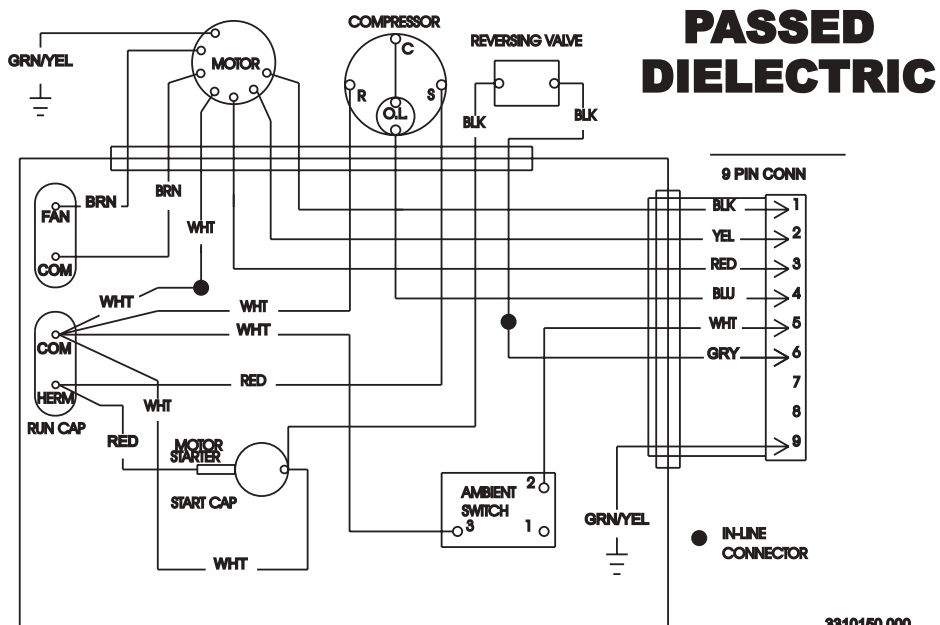
SPECIFICATIONS

TYPE NO.	NOMINAL CAPACITY WATTS	ELECTRICAL RATING	COMPRESSOR RATED LOAD AMPS	COMPRESSOR LOCKED ROTOR AMPS	FAN MOTOR RATED LOAD AMPS	FAN MOTOR LOCKED ROTOR AMPS	REFRIGERANT R-407C GRAMS/OZ	HEATER AMPS AT 220/240 VAC
3254.331	3,2	220/240 VAC, 50 HZ., 1PH.	5.2	26.0	1.6	4.4	610/21.5	N/A

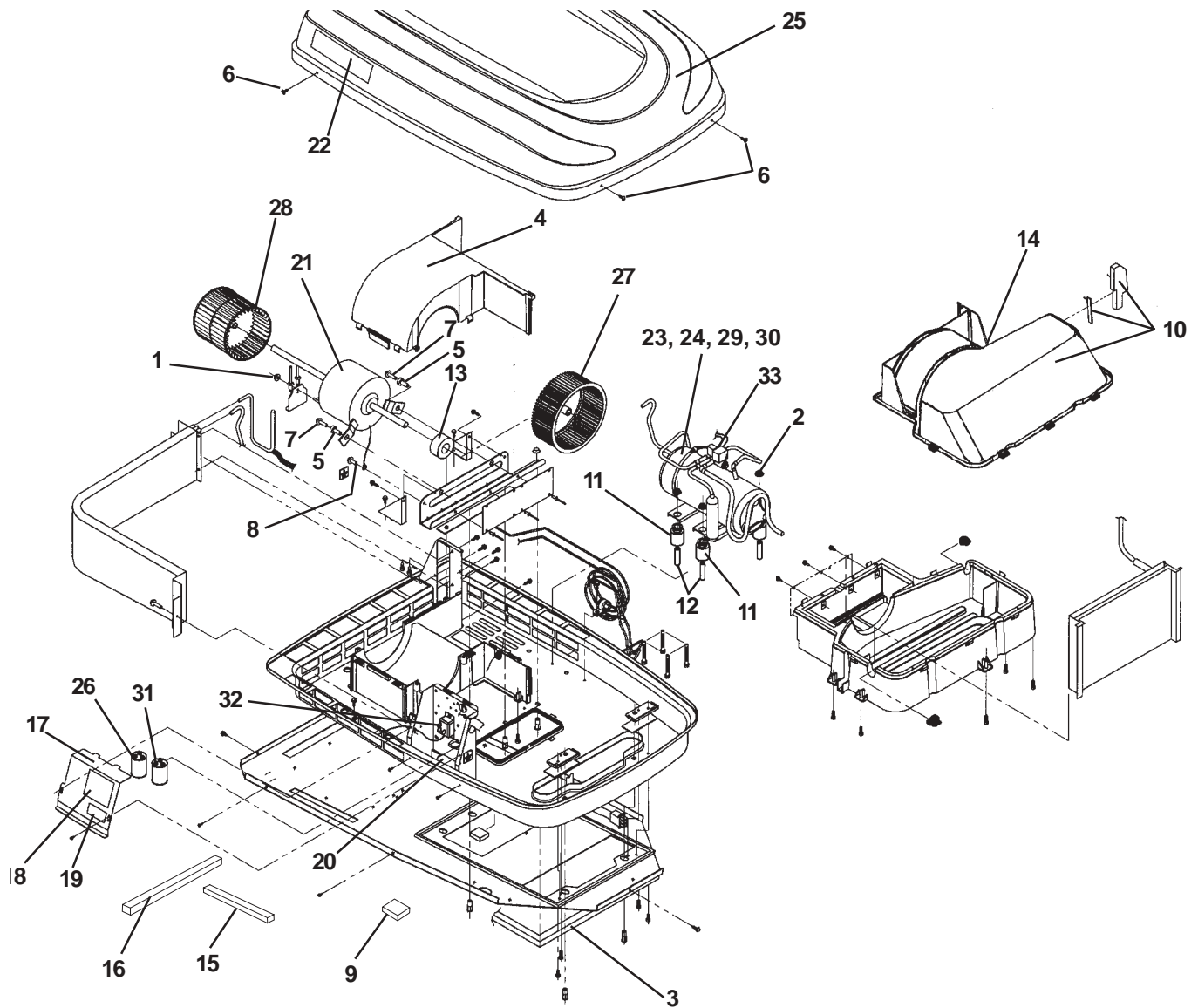
Generator Size
1 Unit 3.5 KW
2 Units 5.0 KW

The Manufacturer gives only general guidelines for Generator requirements. These Generator requirements come from experiences consumers have with our equipment in field applications. When sizing Generators, the total electrical power consumption of the caravan must be considered. Keep in mind that Generators lose power because of altitude increase above sea level, high outside temperatures and lack of maintenance.

WIRING DIAGRAM



Type 3254.331 Product No. 991760493



Only Parts Identified With An Index Number Are Available For Service Replacement.

A = 3254.331

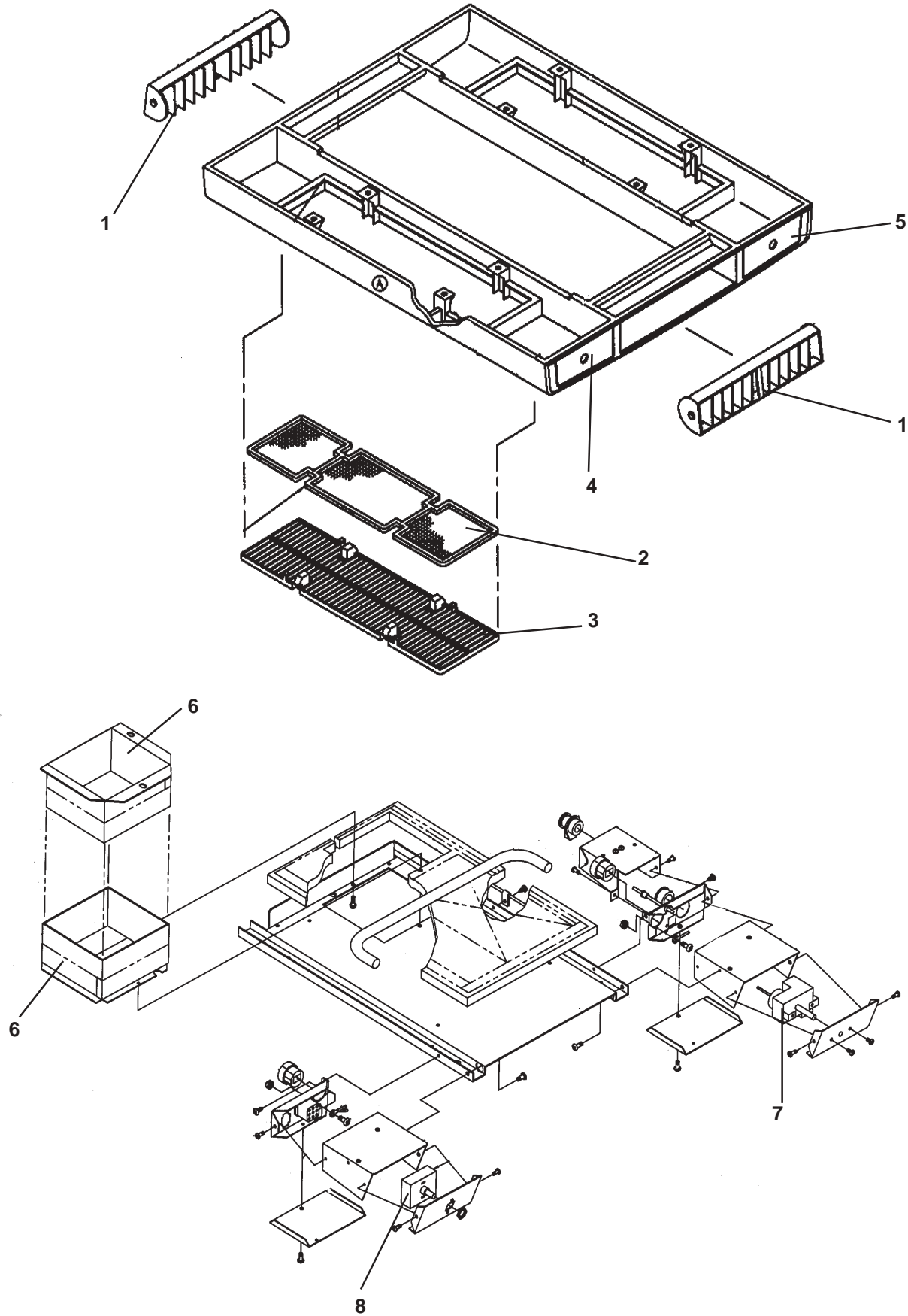
Index	Description	Part Number	3254.331) A
1	Nut, Flange Fan Motor	306342.003	A
2	Nut, Flange Compressor Mtg. (4 req.)	306342.002	A
3	Gasket, 14" X 14"	3100247.000	A
4	Housing, Upper Condenser	3310304.000	A
5	Nut, 1/4"-20 x .80 Well (2 Req.)	3308101.001	A
6	Screw, Shroud (4 req.)	313685.001	A
7	Screw, M 1/4"-20 x 1" HHW (2 req.)	312110.030	A
8	Screw, T 10-32 x .38" HHST	312237.002	A
9	Block, Foam 2" x 2" x 3/4" (3 req.)	3100587.009	A
10	Housing Kit , Upper Evaporator	3309332.009	A
11	Grommet, Compressor (4 req.)	3100238.181	A
12	Sleeve, Compressor (4 req.)	3100239.072	A
13	Collar, Foam Insulated	See insex # 21	A
14	Screw, #8 x 3/4" Phillip (2 req.)	-----	A
15	Gasket, 4" x 1.5" x 0.75"	-----	A
16	Gasket, 16" x 1.5" x 0.50"	-----	A
17	Cover, Electric Box	3308105.000	A
18	Decal, Field Wiring	3310150.000	A
19	Decal, Warning	3100384.019	A
20	Compressor Start Kit	3106732.013	A
21	Fan Motor Kit	3309983.009	A
22	Decal, Duo-Therm (2 req.)	3308429.004	A
23	Overload, Compressor	3100250.251	A
24	Nut Flange, Compressor Cover	306342.005	A
25	Shroud Kit	3308046.014	A
26	Capacitor, Fan - 7.5mfd, 330	3100248.636	A
27	Wheel, Evaporator	3310303.000	A
28	Wheel, Condenser	3310180.000	A
29	Cover, Compressor Terminal	3102321.001	A
30	Gasket, Compressor Terminal Cover	3102320.003	A
31	Capacitor, Compressor-25 mfd.	3100248.396	A
32	Thermostat, Change-over	3105506.004	A
33	Solenoid, Reversin Valve 240VAC	3109864.011	A

Only Those Parts Identified With An Index Number Are Available For Service Replacement.

CUSTOMER OPTION:

3100292.139 Air Box Asm., Complete Mechanical-Polar White

3100292.139 AIR DITRIBUTION BOX



3100292.139 AIR DISTRIBUTION BOX

Index	Description	Part Number
1	Louver	3100289.002
2	Filter	3100281.009
3	Grill, return air	3100270.010
4	Decal Rotary	3310638.000
5	Decal Thermostat	3310639.000
6	Kit, Duct Extension	3107801.007
7	Thermostat	3100952.005
8	Switch, Rotary	3100488.000
9	Knob (Not Shown)	3106121.001
10	Screw, Anchor (Not Shown)	3106756.012

WIRING DIAGRAM

