

Roof-Top Air Conditioner CARAVAN MODEL B3200

Used With

3100292.063 Mechanical ADB W/ Heat Strip-Shell White
3100292.121 Mechanical ADB W/ Heat Strip-Polar White

SERVICE OFFICE
Dometic Corporation
For Information
Contact:
www.dometic.com

PARTS LIST

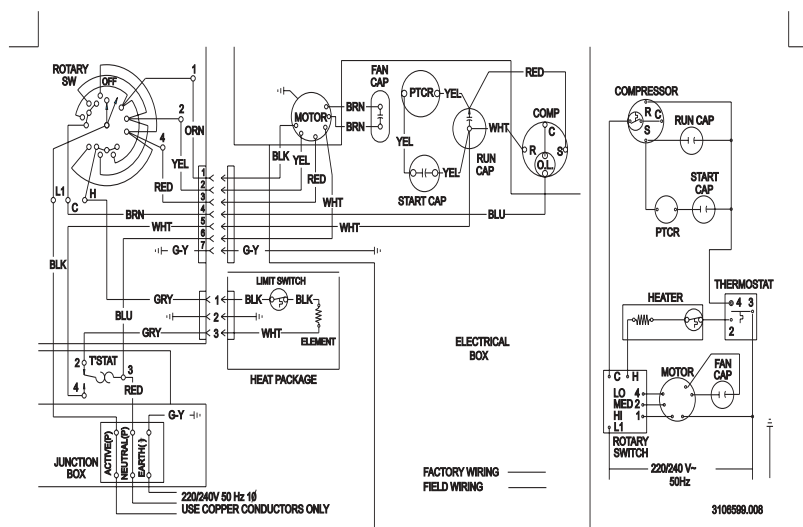
TYPE
3253.332

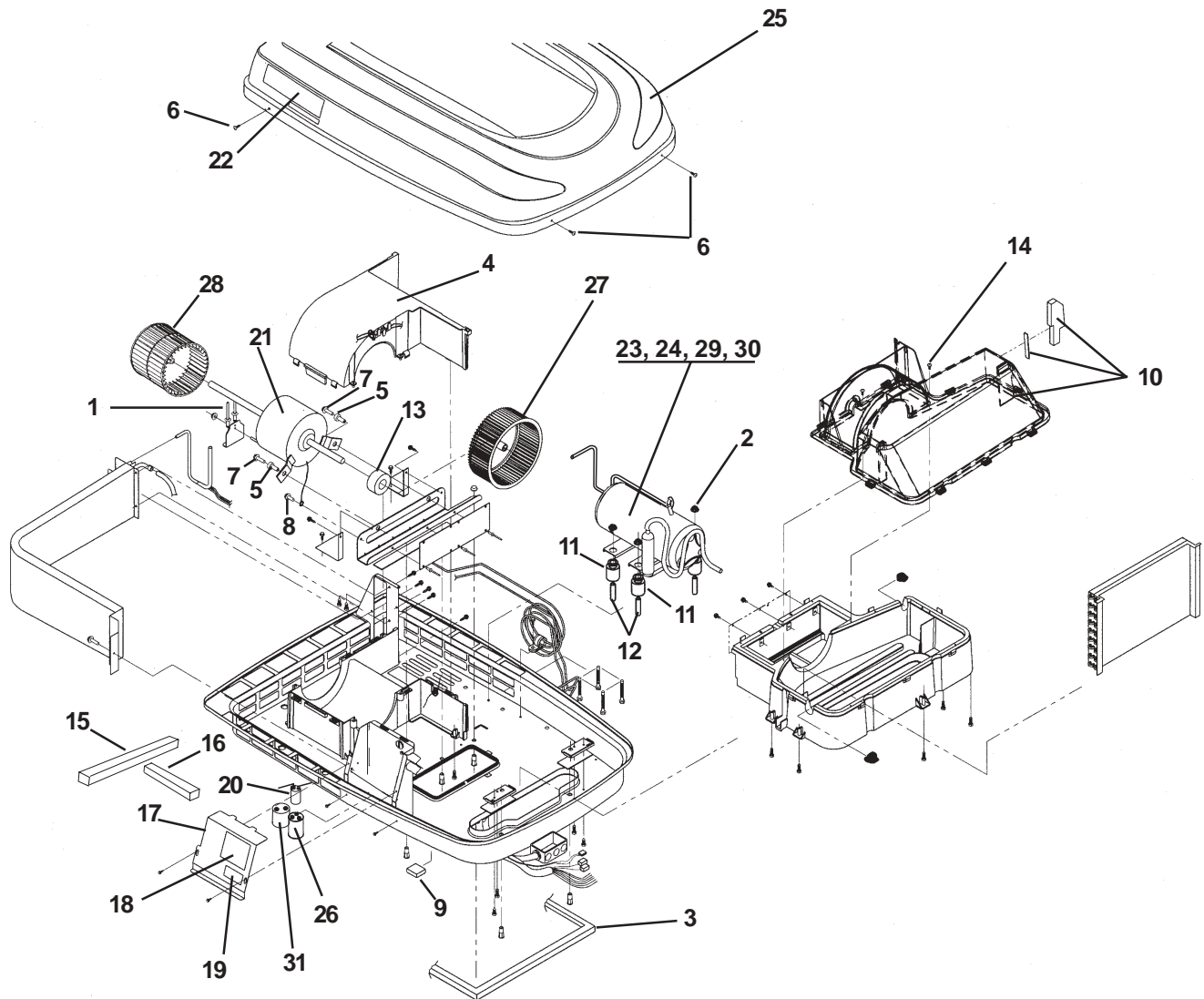
SPECIFICATIONS

Model No.	B3200	Electric Heater
Type	3253.332	
Electrical Rating	220-240 Volts, 50Hz.1 Phase	
	50Hz.	50Hz.
Nom. Capacity (KW)	3.2	1.6
FL Amps (Comp./Heat)	5.2	6.3
FL Amps (Motor)	1.6	1.6
LR Amps (Comp)	26.0	--
LR Amps (Motor)	4.4	4.4
Input Power (KW)	1.3	.17
Min. Wire Size	Up to 8 meters use 1.5mm ² , Copper	
Circuit Protection	10 Amp Time Delay Fuse or Circuit Breaker	
**Generator Size Minimum	1 Unit-- 3.5KW 2 Units--5.0 KW	

- * For wire length over 24 ft., consult the National Electric Code for proper sizing.
- ** Dometic Corporation gives **GENERAL** guidelines for generator requirements. These guidelines come from experiences people have had in actual applications. When sizing the generator, the total power usage of your recreational vehicle must be considered. Keep in mind generators lose power at high altitudes and from lack of maintenance.
- *** **CIRCUIT PROTECTION:** Time Delay Fuse or HACR Circuit Breakers Required.

WIRING DIAGRAM





Only Parts Identified With An Index Number Are Available For Service Replacement.

A = 3253.332C

Index	Description	Part Number	Model
1	Nut, Flange Fan Motor	306342.003	A
2	Nut, Flange Compressor Mtg. (4 req.)	306342.002	A
3	Gasket, 14" X 14"	3100247.000	A
4	Housing, Upper Condenser	3308017.015	A
5	Nut, 1/4"-20 x .80 Well (2 Req.)	3308101.001	A
6	Screw, Shroud (4 req.)	3308261.001	A
7	Screw, M 1/4"-20 x 1" HHW (2 req.)	312110.030	A
8	Screw,	307879.007	A
9	Block, Foam 2" x 2" x 3/4" (3 req.)	3100587.009	A
10	Housing Kit , Upper Evaporator	3309332.009	A
11	Grommet, Compressor (4 req.)	3100238.181	A
12	Sleeve, Compressor (4 req.)	3100239.072	A
13	Collar, Foam Insulated	3307807.002	A
15	Gasket, 16" X 1.5"	3100286.016	A
16	Gasket, 10" X 1.5"	3100286.032	A
17	Cover, Electric Box	3308105.000	A
18	Decal, Field Wiring	3106595.015	A
19	Decal, Warning	3100384.019	A
20	Compressor Start Kit	3106732.013	A
21	Fan Motor Kit	3309983.009	A
22	Decal, Duo-Therm (2 req.)	3308429.004	A
23	Overload, Compressor	3100250.251	A
24	Nut Flange, Compressor Cover	306342.005	A
25	Shroud Kit, Polar White	3308046.014	A
26	Capacitor, 70mfd 370VAC	3100248.396	A
27	Wheel, Evaporator	3310378.000	A
28	Wheel, Condenser	3310180.000	A
29	Cover, Compressor Terminal	3102321.001	A
30	Gasket, Compressor Terminal Cover	3102320.003	A
31	Capacitor, 5mfd. 370VAC	3100248.639	A

CUSTOMER OPTION:

3100292.063 Air Box Asm., Complete Mechanical W/ Heat Strip-Shell White

3100292.121 Air Box Asm., Complete Mechanical W/Heat Strip-Polar White

Only Those Parts Identified With An Index Number Are Available For Service Replacement.