

Absorption refrigerators
3140

PNC	ELC	Brand	Model	Market
921172070	00	Dometic	RGE410	AU - NZ

Dometic Motala

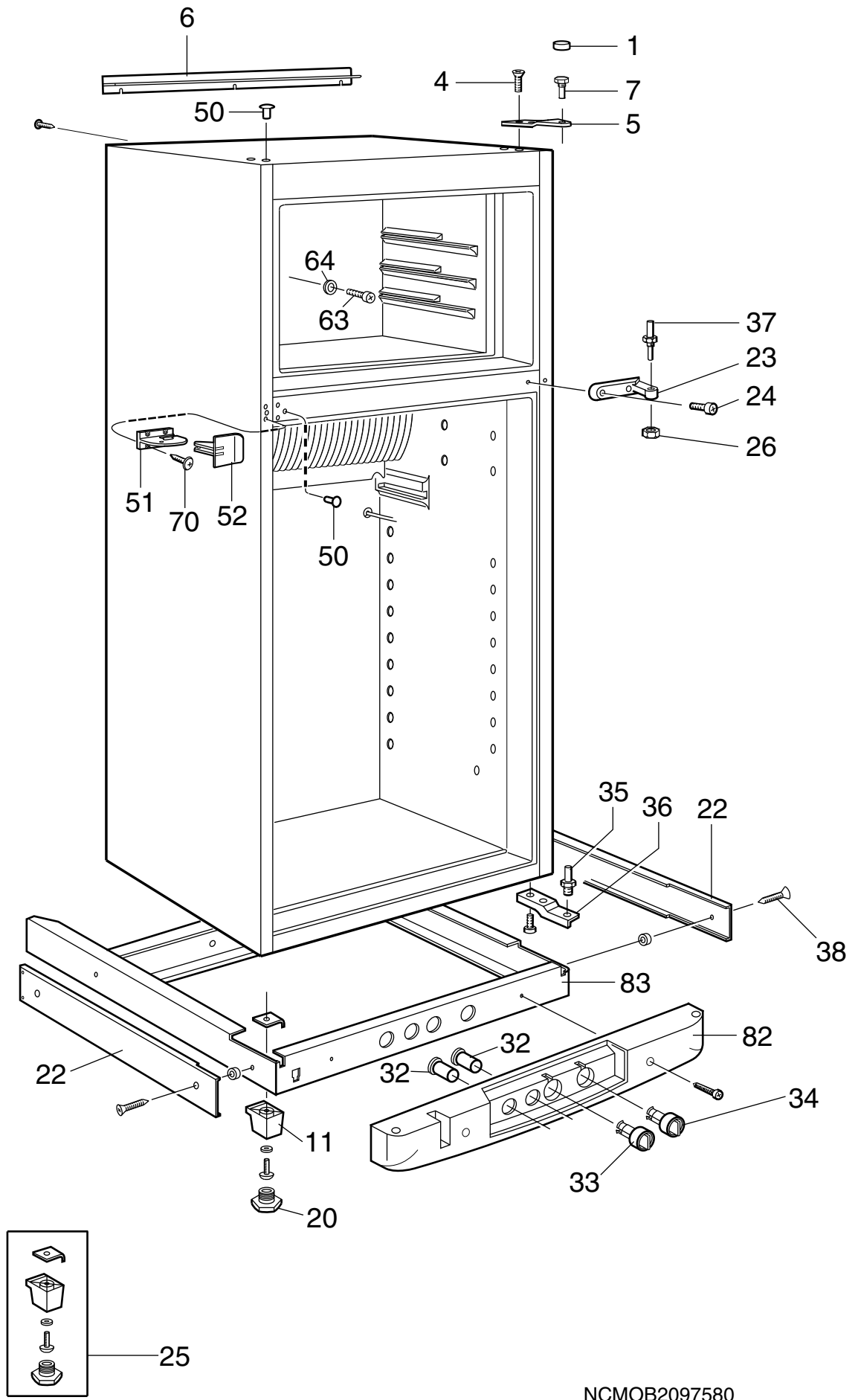
Publication-No.

599531426

2008/04/01

MO

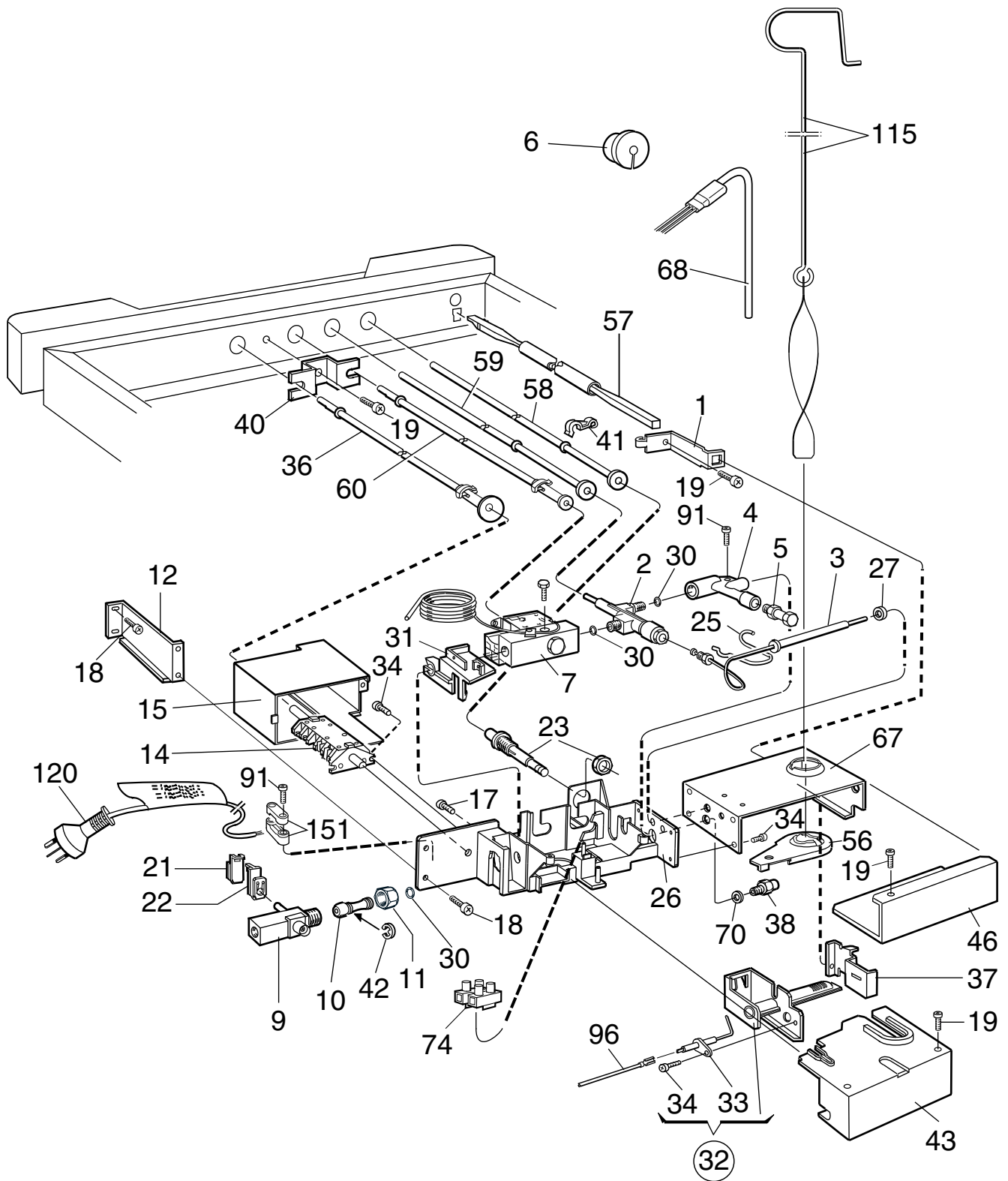
Large freestanding refrigerators



NCMOB2097580

Matrix	PNC	ELC	ProdDate	Model
A	921172070	00	20071116	RGE410

Pos	Part No.	Matrix	Description
1	2932736065	A	Cover
4	3858056025	A	Screw, zinc-plated, MFX M5X10
5	2932787050	A	Hinge, upper, right, white
6	2932801059	A	Cover, white
7	2932790013	A	Hinge pin, upper
11	2004003006	A	Foot, RA34
20	2002599005	A	Foot, adjustable
22	2932795053	A	Cover
23	2932788058	A	Hinge, middle
24	3858004082	A	Screw, MRX M5x20
25	2002483002	A	Foot, cpl., set
26	3858030012	A	Nut, hinge
32	2007479070	A	Button, pressure, white
32	2007479088	A	Button, pressure, grey
33	2007480318	A	Thermostat knob, complete, white
33	2007480334	A	Thermostat knob, complete, grey
34	2007480342	A	Knob, selector, white
34	2007480367	A	Knob, selector, grey
35	2932792019	A	Hinge pin, lower
36	2932789023	A	Hinge, lower, right
37	2932791011	A	Hinge pin, middle
38	3858003035	A	Screw, FXS B10x22
50	2932373018	A	Cap, white
51	2932777010	A	Bracket
52	2932778018	A	Locking arm
63	3858036019	A	Screw, zinc-plated, KFXS B10X38
64	3858010147	A	Washer, aluminium, 5.2x22x1.5
70	3858048014	A	Screw, ST 3, 5x10
82	2932782093	A	Base panel, white
82	2932782101	A	Base panel, grey
83	2932836014	A	Base



NCMOH2097812

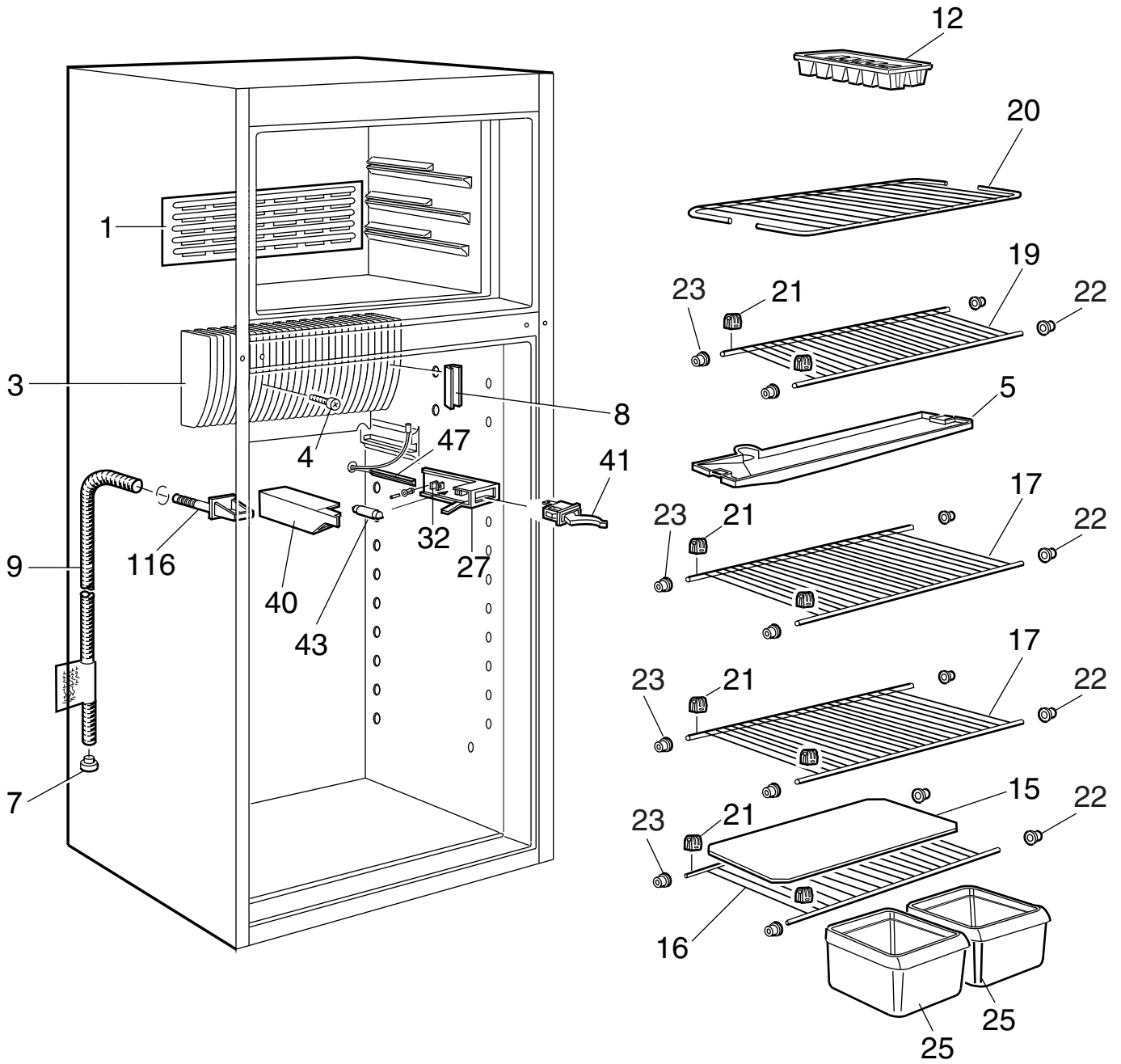
Matrix	PNC	ELC	ProdDate	Model
A	921172070	00	20071116	RGE410

Pos	Part No.	Matrix	Description
1	2007648005	A	Holder, light conductor
2	2931657015	A	Safety valve
3	2931496042	A	Thermo element
4	2007518000	A	Coupling
5	2932097013	A	Nipple
6	2002301006	A	Cover
7	3850223011	A	Thermostat, V61-PO130
9	2007430024	A	Gas cock
10	2007429000	A	Nipple
11	172809006	A	Nut
12	2932796028	A	Bracket
14	2007664002	A	Switch
15	2007661008	A	Cover
17	3858039039	A	Screw, zinc-plated, MRX M4X8
18	3858039047	A	Screw, zinc-plated, MRX M4X10
19	3858002144	A	Screw, zinc-plated, RXS B6X9, 5
21	2007577014	A	Spring
22	2007578004	A	Spring
23	2931796011	A	Piezo lighter
25	2007425008	A	Retaining spring
26	3850548011	A	Bracket
27	3858010139	A	Washer, brass
30	140748005	A	Sealing ring, o-ring, T2527-1
31	2007428002	A	Snapper
32	2007503036	A	Burner, complete
33	2930379009	A	Electrode
34	3858005014	A	Screw, zinc-plated, RXK B6X9, 5
36	2007475052	A	Shaft, complete
37	2007651017	A	Guidance, burner
38	2007419217	A	Jet, complete, no. 58
40	2007567007	A	Support, axle
41	2005112004	A	Clip
42	3858034022	A	Retaining ring, zinc-plated, 8
43	2007440007	A	Cap
46	2007505007	A	Cover
56	2007458017	A	Interlocking washer
57	2932797018	A	Light conductor
58	2007468115	A	Push rod
59	2007468099	A	Push rod
60	2007471044	A	Shaft, complete
67	2007502038	A	Burner housing
68	3850644208	A	Heater, 240V, 300W
70	2007457001	A	Washer, 0, 5mm
74	3858062023	A	Terminal block

Exploded view no.: NCMOH2097812
N00002097812

Matrix	PNC	ELC	ProdDate	Model
A	921172070	00	20071116	RGE410

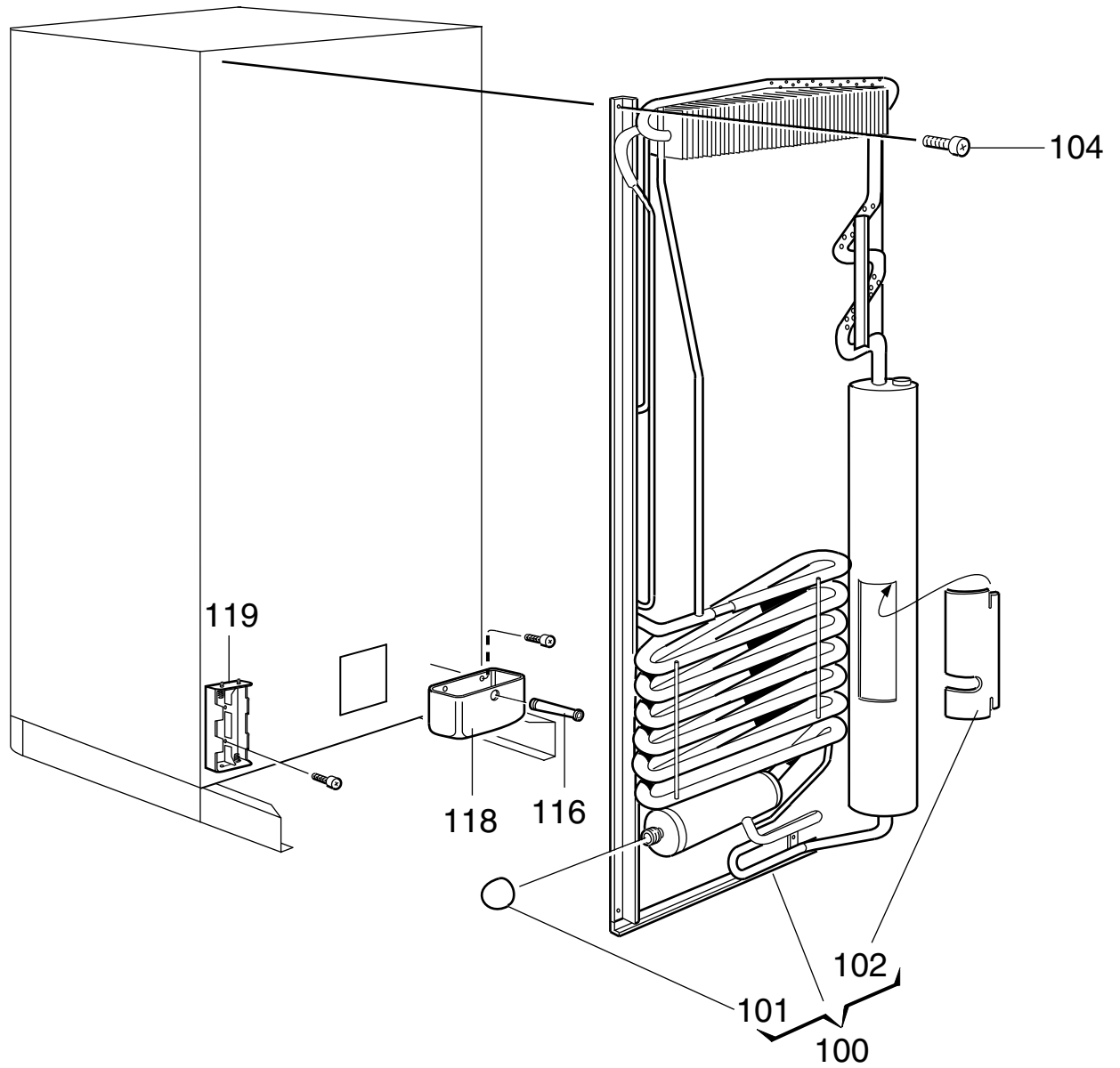
Pos	Part No.	Matrix	Description
91	3858002177	A	Screw, zinc-plated, RXS B6X19
96	2931360099	A	Conductor, electrode
115	2932667047	A	Flue baffle
120	3850555024	A	Cord set
151	561014010	A	Cable clamp



NCMOD2091958

Matrix	PNC	ELC	ProdDate	Model
A	921172070	00	20071116	RGE410

Pos	Part No.	Matrix	Description
1	2932728013	A	Coverplate
3	3851121024	A	Cooling flange
4	3858036019	A	Screw, zinc-plated, KFXS B10X38
5	2932624014	A	Evaporation tray
7	2932115013	A	Discharge pipe, plug
8	2890050004	A	Clamp
9	2932749050	A	Draining hose
12	2930400003	A	Ice tray
15	2931117176	A	Shelf, plastic
16	3850324025	A	Grating shelf
17	3850324017	A	Grating shelf
19	3850324033	A	Grating shelf
20	2932627025	A	Grating shelf
21	2932102011	A	Shelf support
22	2932101013	A	Plug
23	2932103019	A	Plug
25	2932621010	A	Vegetable box
27	2932523018	A	Lampholder
32	2932108018	A	Contact pin
40	2932106012	A	Lamp cover
41	2932665017	A	Switch
43	2007290022	A	Lamp, 6V
47	2933091015	A	Protection bar
116	2932635010	A	Drain

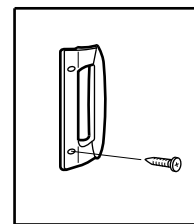
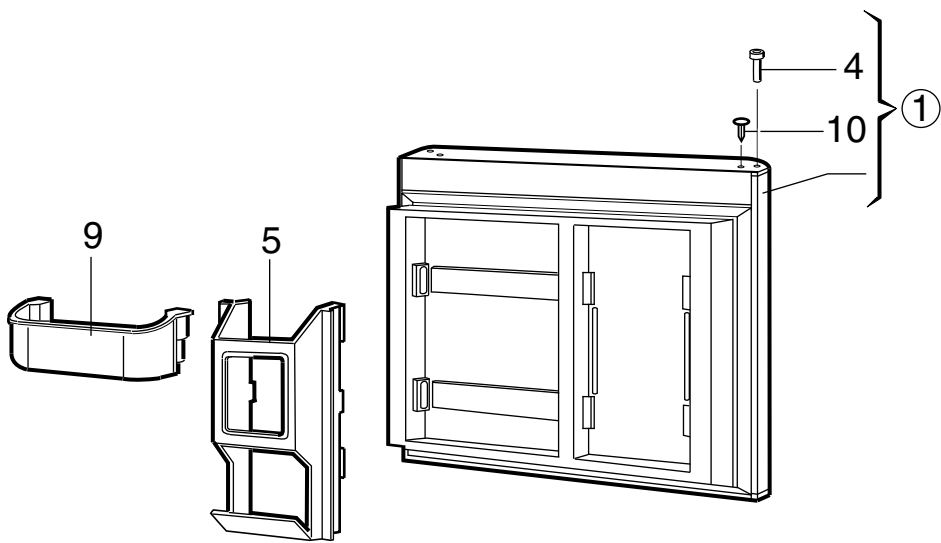


NCMOE2084323

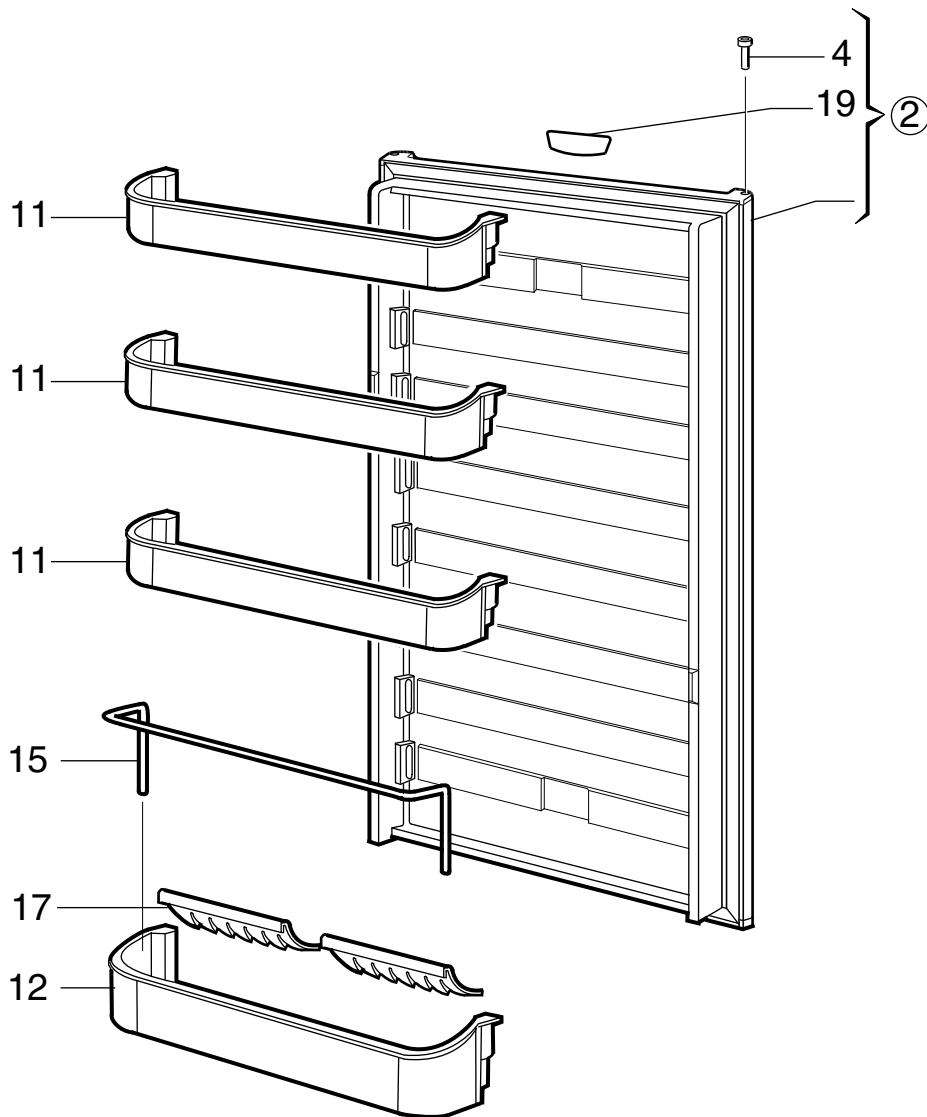
Exploded view no.: NCMOE2084323
N00002097814

Matrix	PNC	ELC	ProdDate	Model
A	921172070	00	20071116	RGE410

Pos	Part No.	Matrix	Description
100	2934807096	A	Cooling unit,807
101	173228008	A	Cap
102	2933557007	A	Cover sheet
104	3858068012	A	Screw,DK 4.8X16
116	2931829010	A	Outlet tube
118	2931828012	A	Drop tray
119	2932849017	A	Battery box
999	8227061069	A	User manual not shown



30 31

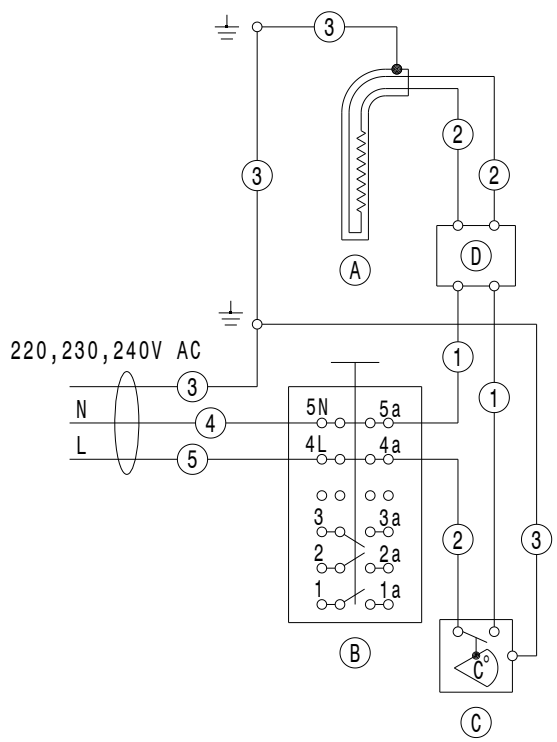


NCMOA2091960

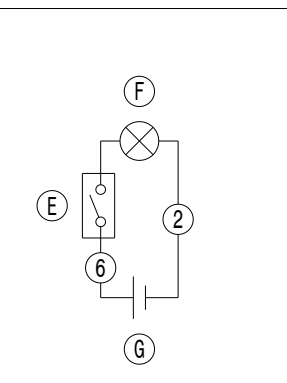
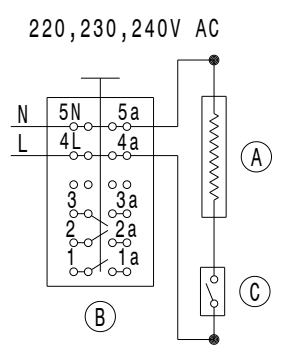
Matrix	PNC	ELC	ProdDate	Model
A	921172070	00	20071116	RGE410

Pos	Part No.	Matrix	Description
1	3851287023	A	Freezer door,white
2	3851283014	A	Refrigerator door,white
4	2059342036	A	Hinge bushing,gre
5	2932578020	A	Juice container
9	2932577014	A	Door shelf
10	3850585021	A	Bung,gre
11	2932576016	A	Door shelf
12	2932575018	A	Bottle shelf
15	2932585033	A	Rack
17	2932658012	A	Bottle holder,white
19	2932288034	A	Shield,door,white,DOMETIC
30	2932973064	A	Handle kit,gre Optional
31	2932973072	A	Handle kit,white Optional

385 13 67 | 1



- ① — WHITE
- ② — BLACK
- ③ — YELLOW/GREEN
- ④ — BLUE
- ⑤ — BROWN
- ⑥ — RED
- (A) — HEATER
- (B) — SWITCH
- (C) — THERMOSTAT
- (D) — TERMINAL BLOCK
- (E) — SWITCH LIGHT
- (F) — LIGHT
- (G) — BATTERY BOX 6V



P38513671