

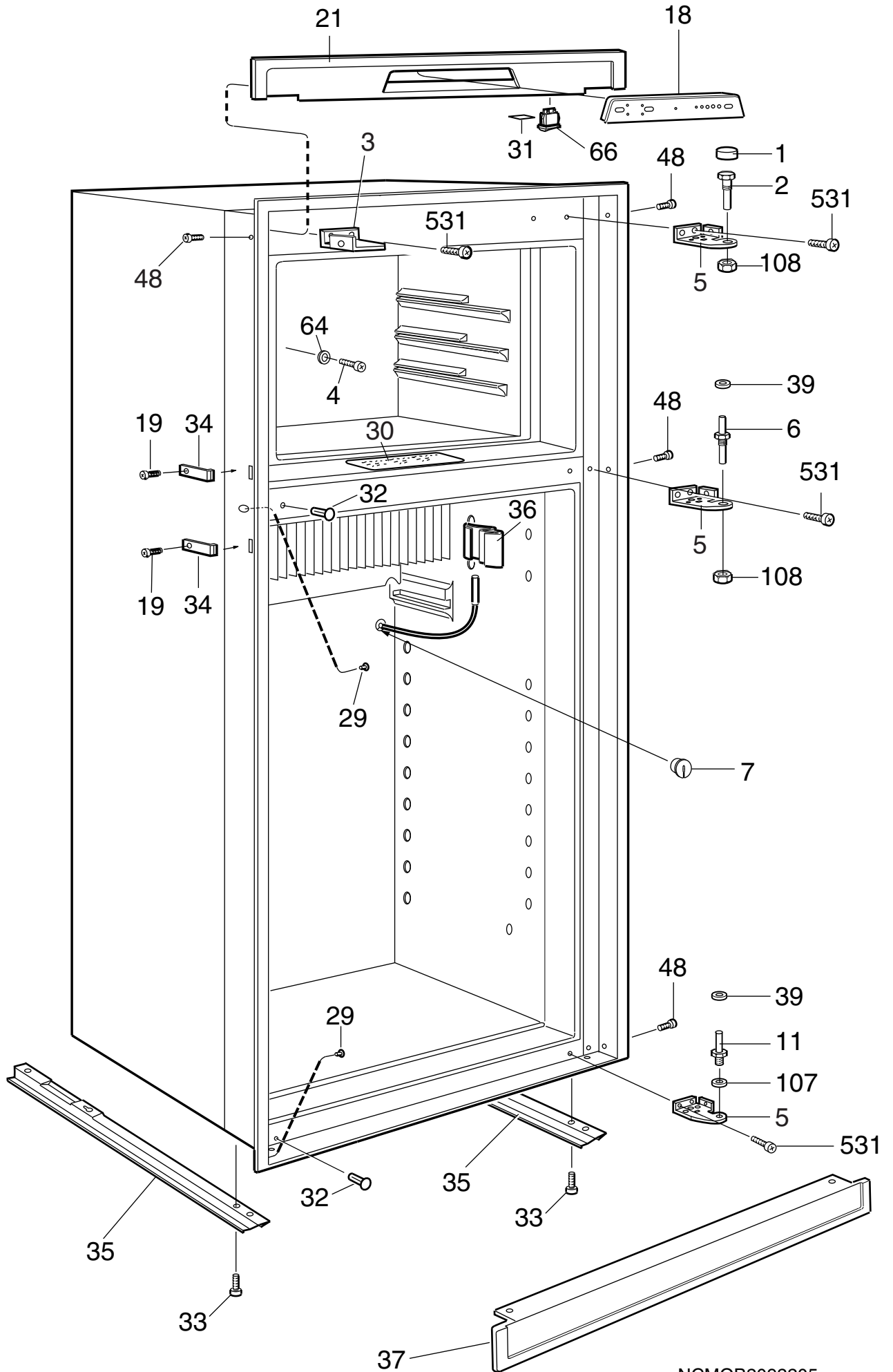
Absorption refrigerators
3110

PNC	ELC	Brand	Model	Market
921146370	00	Dometic	RM4805	AU - NZ

Dometic Motala

Publication-No.
599707742
2008/04/18
MO

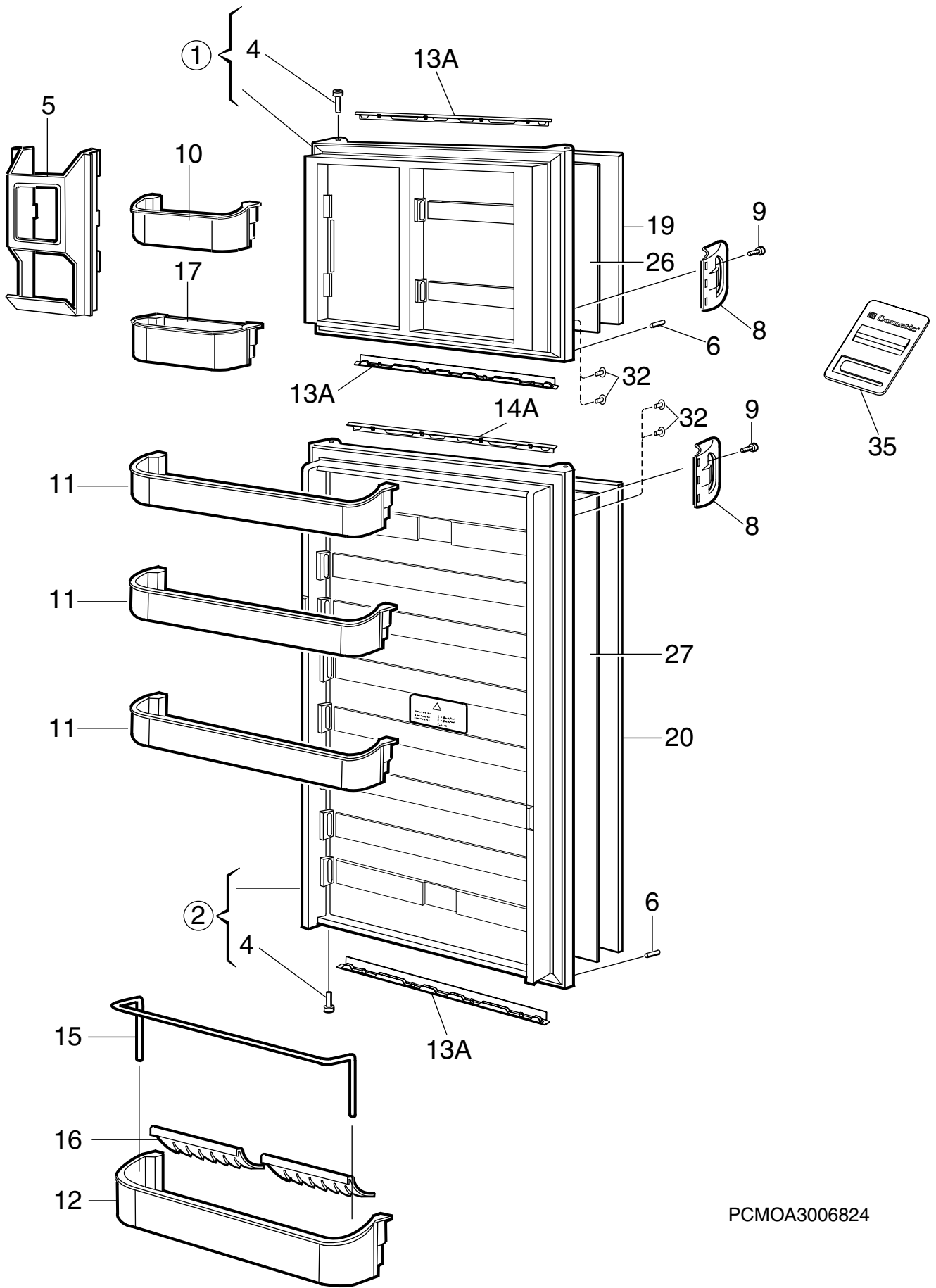
Caravan refrigerators



NCMOB2092205

Matrix	PNC	ELC	ProdDate	Model
A	921146370	00	20080424	RM4805

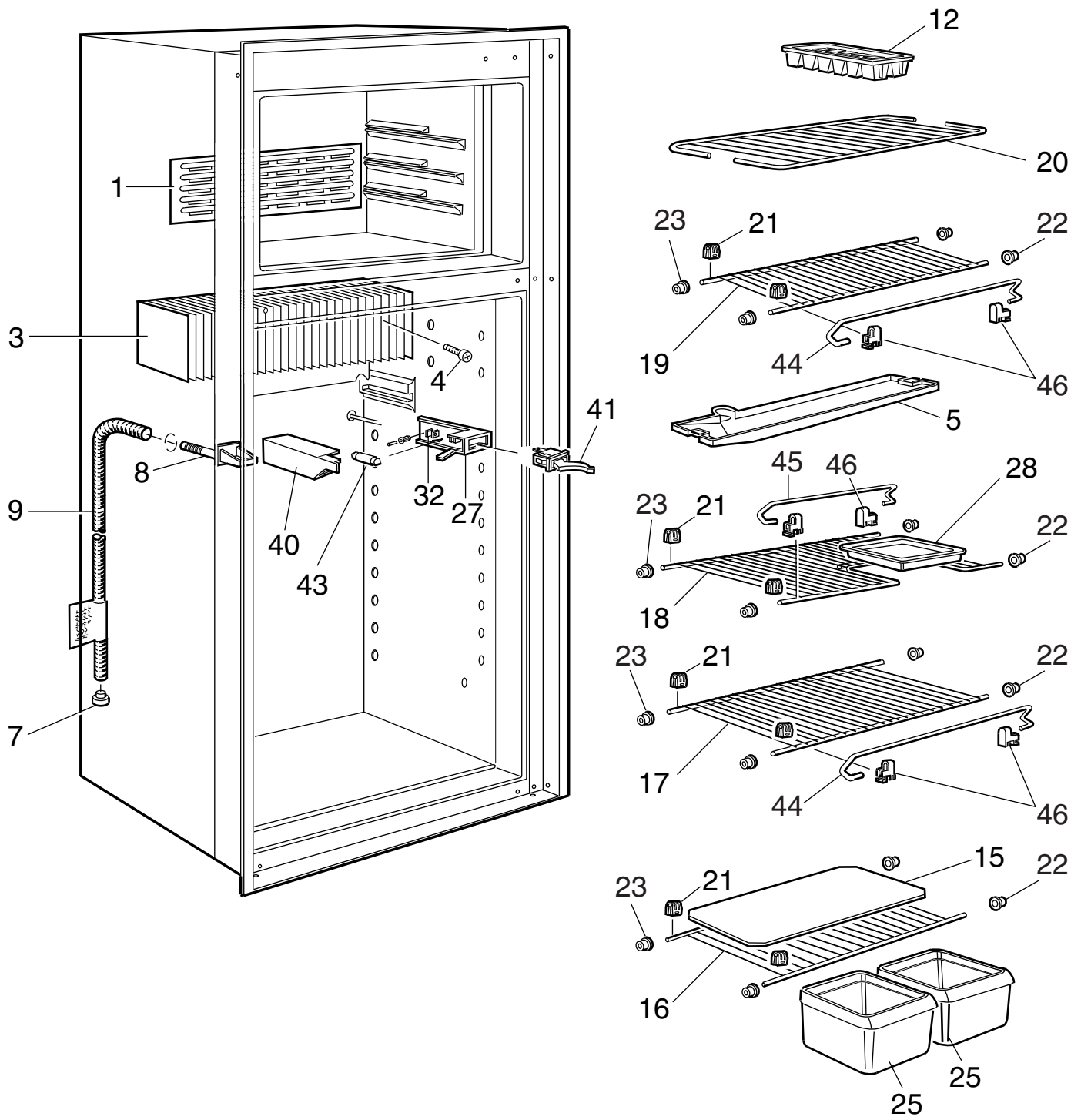
Pos	Part No.	Matrix	Description
1	2932736081	A	Cover,black
2	2932647015	A	Hinge pin,upper
3	2932644038	A	Bracket,left,black
4	3858036019	A	Screw,zinc-plated,KFXS B10X38
5	2932643030	A	Hinge,black
6	2932648021	A	Hinge pin,black
7	2002301006	A	Cover
11	2932649011	A	Hinge pin,lower
18	3850741020	A	Display,assembly,black,AESIII
19	3858002052	A	Screw,zinc-plated,RXS B6X6,5
21	2932641034	A	Front,black
29	2930740077	A	Cover,black
30	3850953005	A	Instruction plate
31	2932779008	A	Label
32	3850585039	A	Plug,black
33	3858039096	A	Screw,zinc-plated,MRX M5X14
34	2932855014	A	Fastening bow
35	2932660018	A	Rail
36	3851088017	A	Bracket,thermistor
37	2932690049	A	Base cover,black
39	3858010022	A	Washer,black,5,5X12X1
48	3858004058	A	Screw,zinc-plated,MRX M4X4
64	3858010147	A	Washer,aluminium,5.2x22x1.5
66	2932680016	A	Switch
107	3858010113	A	Washer,zinc-plated,BRB 6,4X12,5
108	3858009057	A	Nut,black,ML6 M6
531	3858039047	A	Screw,zinc-plated,MRX M4X10
999	2932750116	A	Door reversing kit,right-left,black not shown



PCMOA3006824

Matrix	PNC	ELC	ProdDate	Model
A	921146370	00	20080424	RM4805

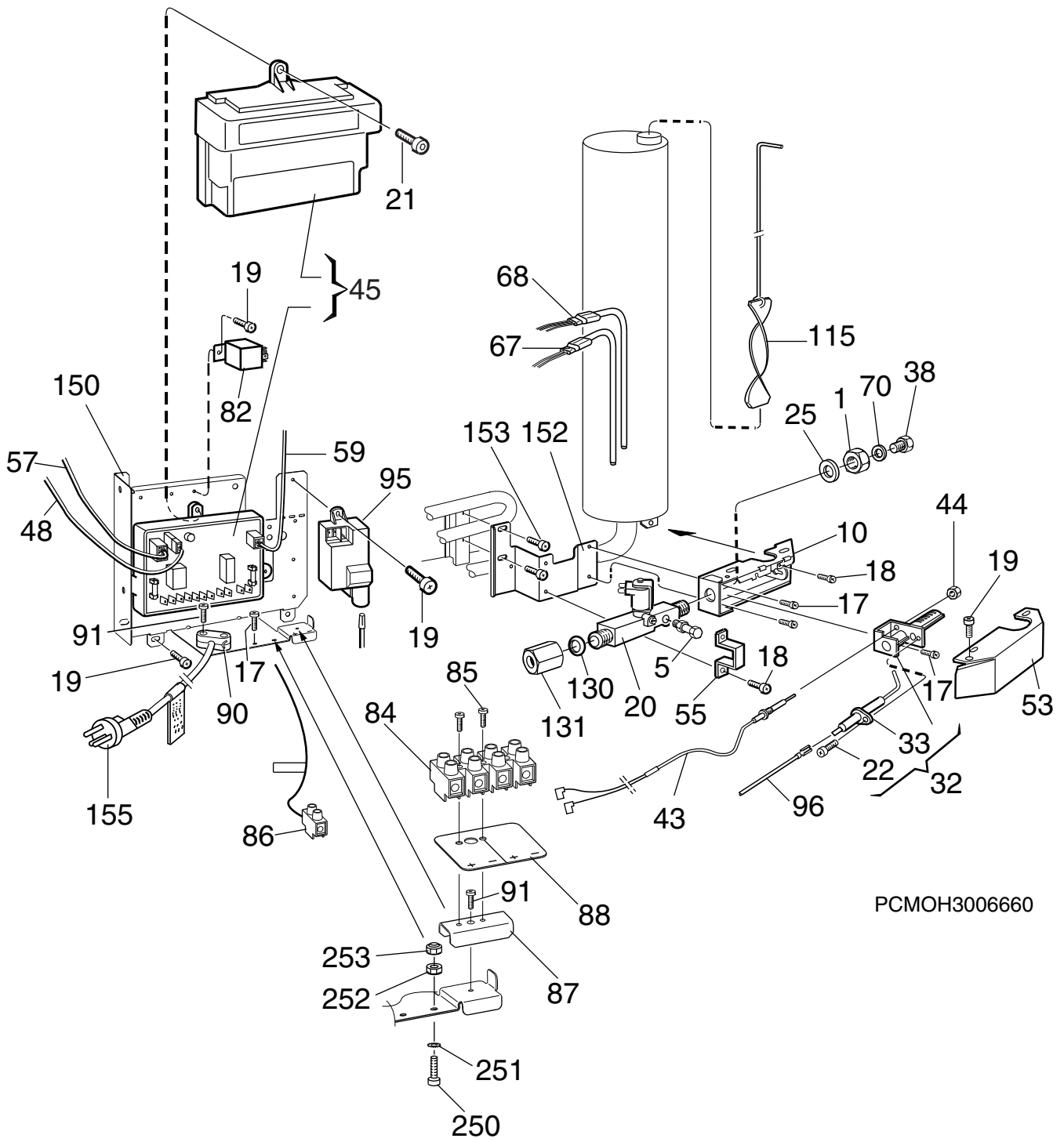
Pos	Part No.	Matrix	Description
1	2932561190	A	Freezer door,right,black
2	2932562065	A	Refrigerator door,right,black
4	2931171066	A	Hinge bushing,black
5	2932578020	A	Juice container
6	2932588011	A	Stopper
8	3851174023	A	Handle,black
9	3858000049	A	Screw,black,PT 50X26
10	2932577014	A	Door shelf
11	2932576016	A	Door shelf
12	2932575018	A	Bottle shelf
13A	3850919022	A	Decoration strip,black
14A	3850919063	A	Decoration strip,black
15	2932585033	A	Rack
16	2932658012	A	Bottle holder,white
17	2932579010	A	Ice container
19	3851406011	A	Door panel,freezer door,silver
20	3851406037	A	Door panel,refrigerator door,silver
26	2932469071	A	Cushion,door panel
27	2932469063	A	Cushion,door panel
32	3850625025	A	Cover,black
35	3850781018	A	Spacer,door



NCMOD2092207

Matrix	PNC	ELC	ProdDate	Model
A	921146370	00	20080424	RM4805

Pos	Part No.	Matrix	Description
1	2932728013	A	Coverplate
3	2932630011	A	Cooling flange
4	3858036019	A	Screw, zinc-plated, KFXS B10X38
5	2932624014	A	Evaporation tray
7	2932115013	A	Discharge pipe, plug
8	2932635010	A	Drain
9	2932749019	A	Drain hose, L=1375mm
12	2930400003	A	Ice tray
15	2931117176	A	Shelf, plastic
16	3850324025	A	Grating shelf
17	3850324017	A	Grating shelf
18	3850325014	A	Grating shelf
19	3850324033	A	Grating shelf
20	2932627025	A	Grating shelf
21	2932102011	A	Shelf support
22	2932101013	A	Plug
23	2932103019	A	Plug
25	2932621010	A	Vegetable box
27	2932523018	A	Lampholder
28	2932636018	A	Box
32	2932108018	A	Contact pin
40	2932106012	A	Lamp cover
41	2932665017	A	Switch
43	2007290006	A	Lamp, 10W, 12V
44	2007337211	A	Rack
45	2007337120	A	Rack
46	2930693045	A	Holder



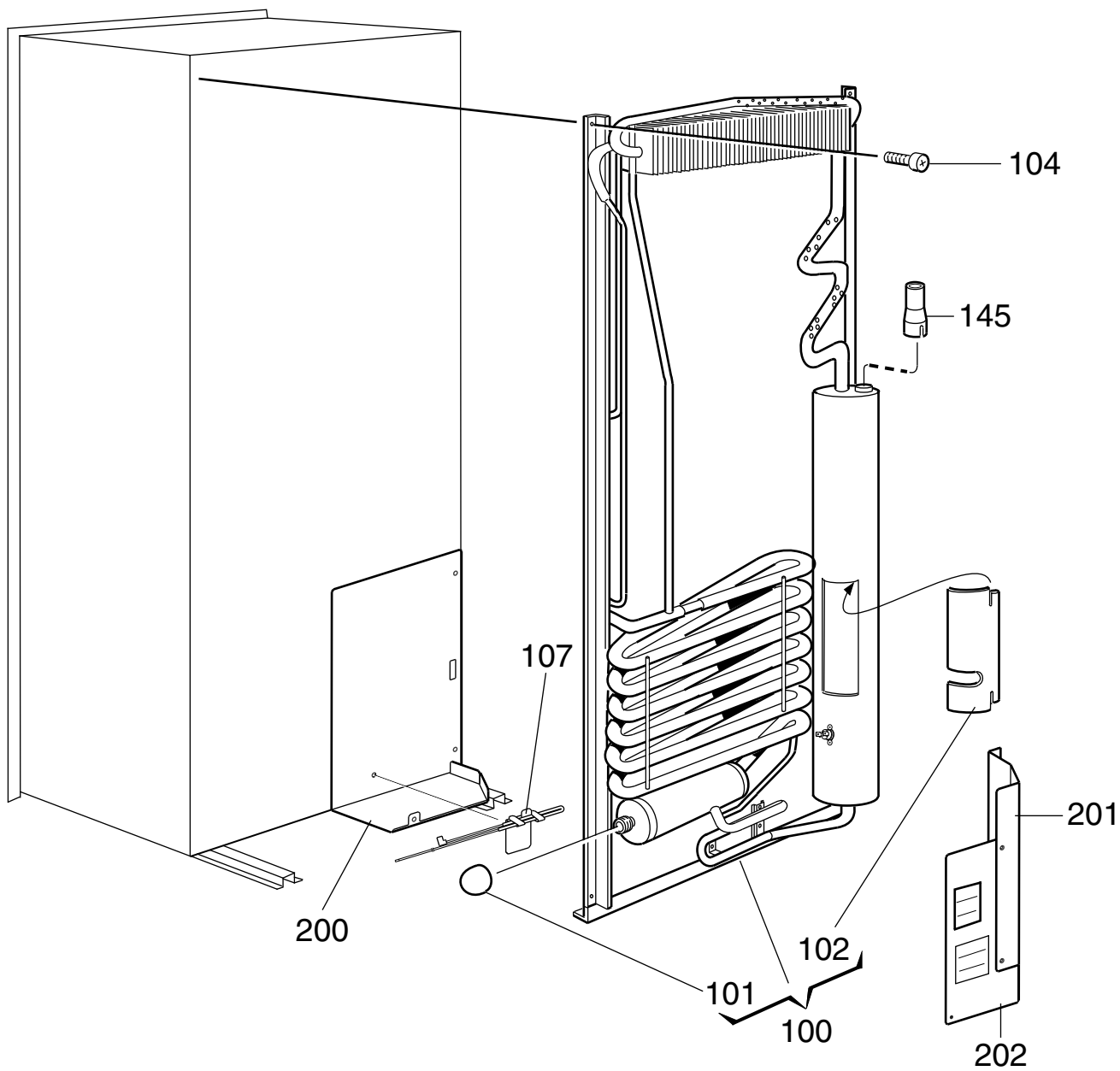
Matrix	PNC	ELC	ProdDate	Model
A	921146370	00	20080424	RM4805

Pos	Part No.	Matrix	Description
1	140207044	A	Nut
5	2932097013	A	Nipple
10	2932603018	A	Burner housing
17	3858039039	A	Screw, zinc-plated, MRX M4X8
18	3858039047	A	Screw, zinc-plated, MRX M4X10
19	3858002144	A	Screw, zinc-plated, RXS B6X9, 5
20	2932615038	A	Solenoid valve
21	3858002151	A	Screw, zinc-plated, RXS B6X13
22	3858005014	A	Screw, zinc-plated, RXK B6X9, 5
25	3858010071	A	Washer, 12, 5X18, 5X1
32	2930697061	A	Burner
33	2930379009	A	Electrode
38	2007419217	A	Jet, complete, no. 58
43	2932052018	A	Thermocouple
44	2801043015	A	Nut
45	3850610019	A	Electronics module, assembly, AESIII
48	3851059042	A	Conductor, thermistor
53	2932661016	A	Cover
55	2932662014	A	Bracket
57	2954542037	A	Conductor, PCB
59	2954540031	A	Conductor, complete, solenoid valve
67	3850646096	A	Heater, 275W, 12V
68	3850644554	A	Heater, 325W, 240V
70	2007457001	A	Washer, 0, 5mm
82	3851334007	A	Relay
84	3858022035	A	Terminal block
85	3858002185	A	Screw, zinc-plated, RXS B6X25
86	3858062015	A	Terminal block
87	3851420012	A	Bracket, terminal block
88	3851421010	A	Plate, 12V
90	2932342013	A	Cable clamp
91	3858002177	A	Screw, zinc-plated, RXS B6X19
95	2932347012	A	Spark generator
96	2931360057	A	Ignition cable
115	2007590066	A	Flue, baffle
130	2930500000	A	Seal washer, copper
131	3850743018	A	Connection, nipple
150	3850337019	A	Bracket
152	3850377015	A	Retainer, solenoid valve
153	3858018017	A	Screw, zinc-plated, M5X25
155	3850555040	A	Cord set
250	3858004033	A	Screw, zinc-plated, MRX M4X16
251	3858011012	A	Lock washer, zinc-plated, 4, 3X8
252	3858009016	A	Hexagon nut, zinc-plated, M4X3, 2

Exploded view no.: PCMOH3006660
P00003006826

Matrix	PNC	ELC	ProdDate	Model
A	921146370	00	20080424	RM4805

Pos	Part No.	Matrix	Description
253	3858028024	A	Lock nut,zinc-plated,M4



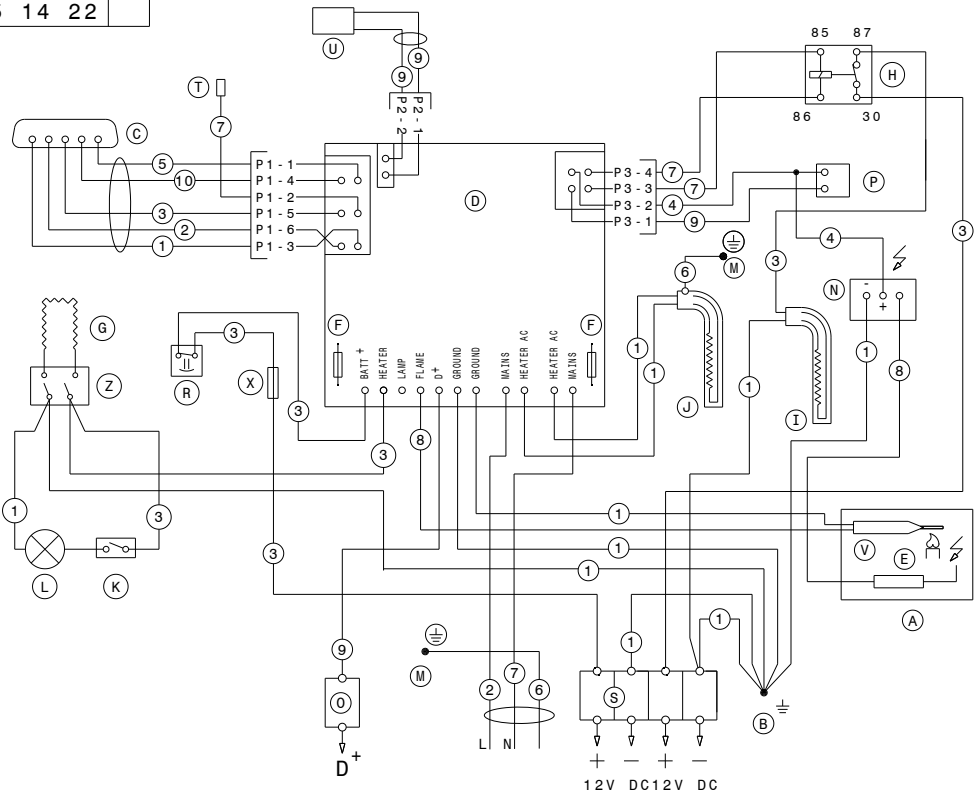
PCMOE3006661

Exploded view no.: PCMOE3006661
P00003006827

Matrix	PNC	ELC	ProdDate	Model
A	921146370	00	20080424	RM4805

Pos	Part No.	Matrix	Description
100	2934806106	A	Cooling unit,with,thermal fuse,806
101	173228008	A	Cap
102	2933557007	A	Cover sheet
104	3858068012	A	Screw,DK 4.8X16
107	3851409015	A	Thermal fuse,cpl.
145	2932195015	A	Adaptor
200	3851300016	A	Cover plate
201	3851301014	A	Cover plate,side
202	3851302012	A	Cover plate,back
999	8251240084	A	User manual not shown

385 14 22



- (A) — BURNER HOUSING
- (B) — CHASSIS GROUND
- (C) — CIRCUIT BOARD DISPLAY
- (D) — CIRCUIT BOARD POWER
- (E) — ELECTRODE
- (F) — FUSE 3A
- (G) — HEATING CABLE
- (H) — RELAY
- (I) — HEATER 12V DC
- (J) — HEATER 230,240V AC
- (K) — SWITCH LIGHT
- (L) — LIGHT

- (M) — PROTECTIVE EARTH
- (N) — REIGNITER
- (O) — TERMINAL BLOCK
- (P) — SOLENOID VALVE
- (R) — THERMOFUSE
- (S) — TERMINAL BLOCK
- (T) — TEST POINT
- (U) — THERMISTOR
- (V) — THERMOCOUPLE
- (X) — THERMAL FUSE
- (Z) — SWITCH H.C

- (1) — BLACK
- (2) — BROWN
- (3) — RED
- (4) — YELLOW
- (5) — GREEN
- (6) — GREEN/YELLOW
- (7) — BLUE
- (8) — GREY
- (9) — WHITE
- (10) — ORANGE

12V DC 12V DC

P38514220