

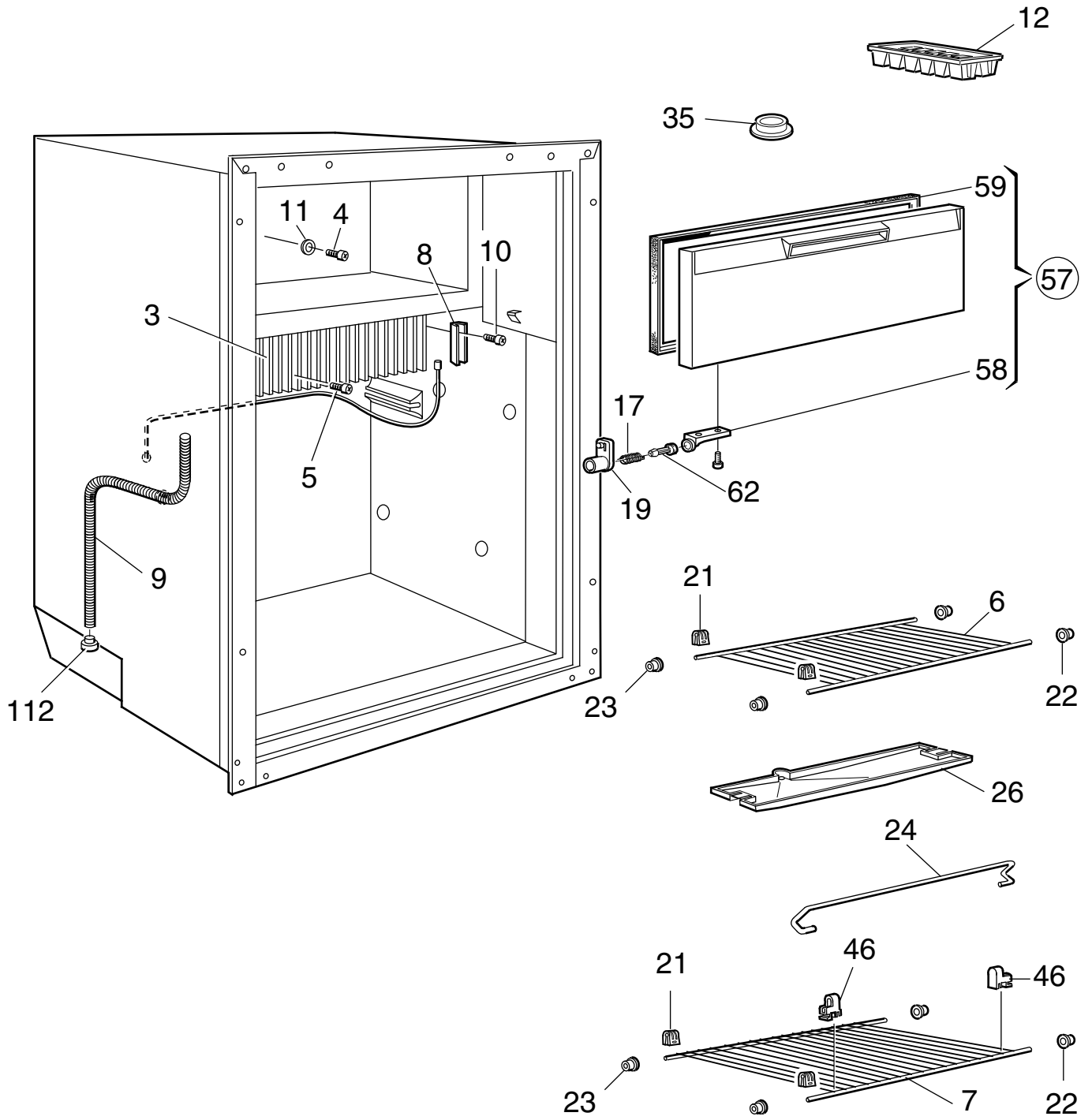
Absorption refrigerators  
3110

<b>PNC</b>	<b>ELC</b>	<b>Brand</b>	<b>Model</b>	<b>Market</b>
921145062	00	Dometic	RM2350	AU - NZ

Dometic Motala

Publication-No.  
599707950  
2008/04/24  
MO

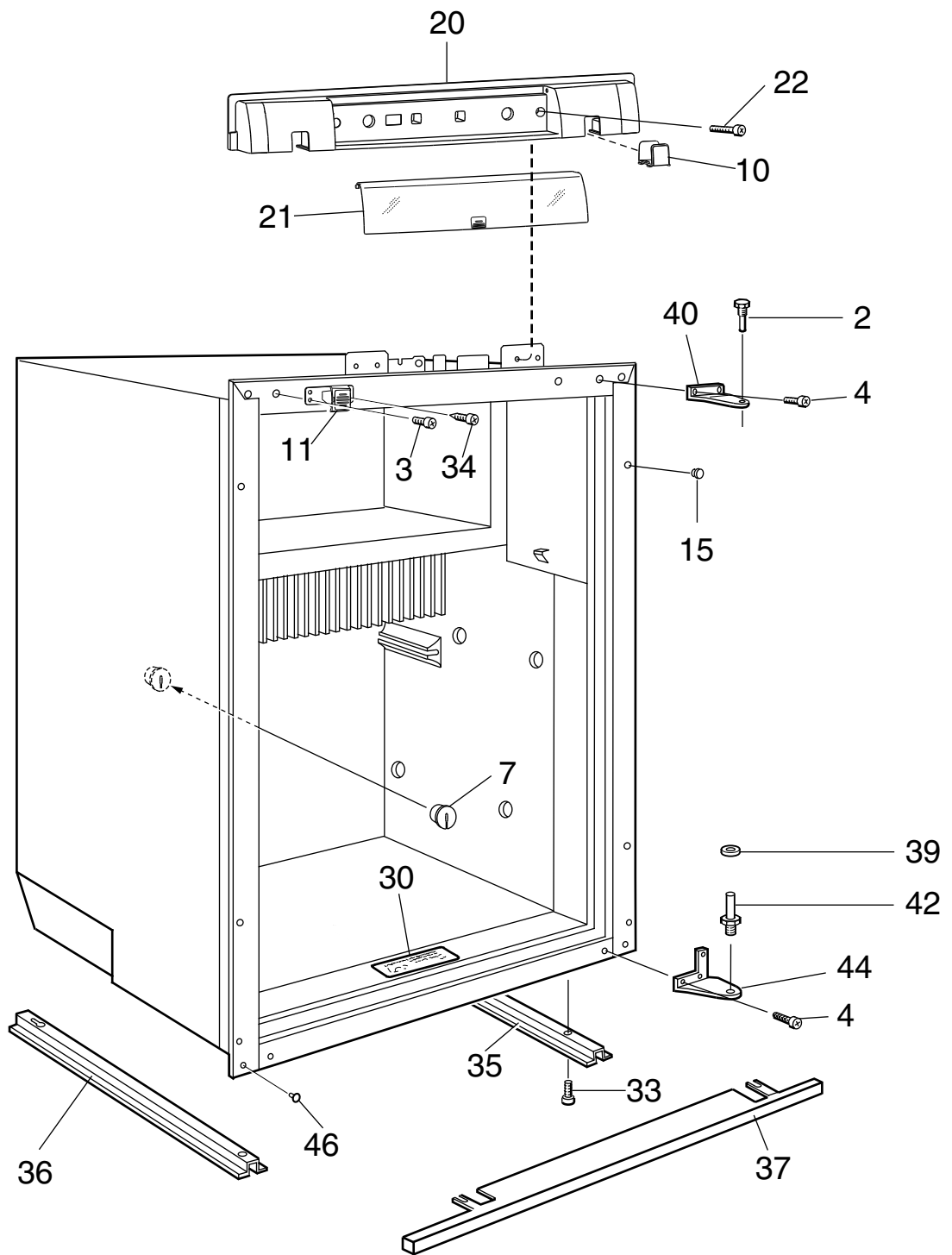
Caravan refrigerators



NCMOD2089134

<b>Matrix</b>	<b>PNC</b>	<b>ELC</b>	<b>ProdDate</b>	<b>Model</b>
A	921145062	00	20080424	RM2350

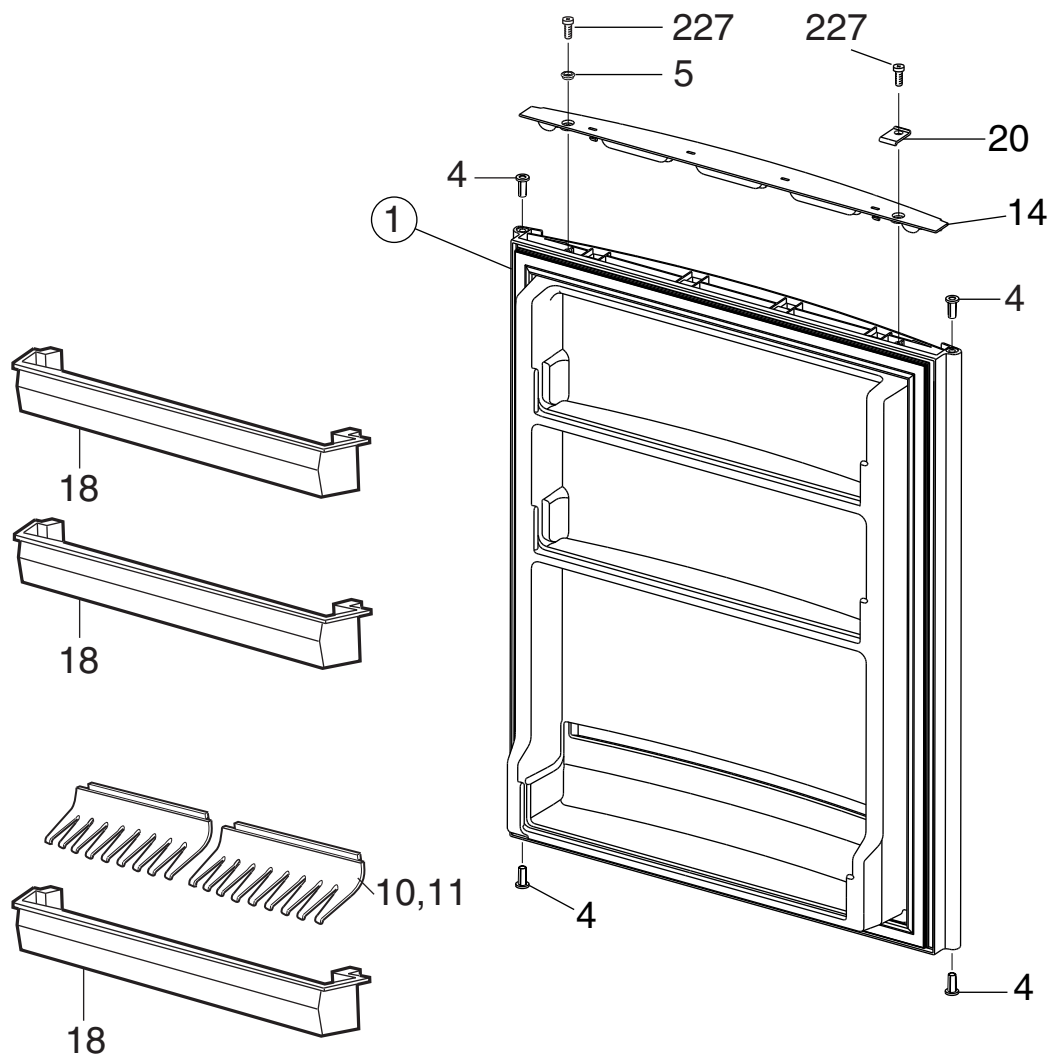
<b>Pos</b>	<b>Part No.</b>	<b>Matrix</b>	<b>Description</b>
3	3850291018	A	Cooling flange
4	3858036019	A	Screw, zinc-plated, KFXS B10X38
5	3858002292	A	Screw, zinc-plated, RXS B10, 4, 8x19
6	3850301023	A	Shelf
7	2932022045	A	Shelf
8	2890050004	A	Clamp
9	2932749126	A	Drainage hose, white
10	3858002276	A	Screw, zinc-plated, RXS B8, 4, 2x16
11	3858010121	A	Washer, stainless, BRB 6, 4x12, 5
12	2930400003	A	Ice tray
17	2932754019	A	Spring, left
17	2932754027	A	Spring, right
19	2002236004	A	Spring casing, left
19	2002236012	A	Spring casing, right
21	2932102011	A	Shelf support
22	2932101013	A	Plug
23	2932103019	A	Plug
24	2007337229	A	Rack
26	3850274014	A	Drip protection
35	2007645019	A	Water level
46	2930693045	A	Holder
57	2002239271	A	Freezer flap
58	2002244008	A	Hinge, evaporator flap, white
59	2933145027	A	Gasket, evaporator flap, white
62	2002238000	A	Bolt
112	2932115013	A	Discharge pipe, plug



NCMOB2089135

<b>Matrix</b>	<b>PNC</b>	<b>ELC</b>	<b>ProdDate</b>	<b>Model</b>
A	921145062	00	20080424	RM2350

<b>Pos</b>	<b>Part No.</b>	<b>Matrix</b>	<b>Description</b>
2	2932415017	A	Hinge pin, upper
3	3858039088	A	Screw, zinc-plated, M5x10
4	3858056025	A	Screw, zinc-plated, MFX M5X10
7	2002301006	A	Cover
10	3851139018	A	Cover plate, black
11	3851138010	A	Door catch, black
15	3850336029	A	Plug, black
20	3851141030	A	Front decoration, black
21	3851146013	A	Cover, transparent
22	3858039062	A	Screw, zinc-plated, MRX-TT M4x20
30	3850952007	A	Instruction plate
33	3858039096	A	Screw, zinc-plated, MRX M5X14
34	3858002219	A	Screw, zinc-plated, RXS B10 4, 8x9, 5
35	2932486018	A	Runner, right
36	2932486026	A	Runner, left
37	2932325042	A	Base, front, black
39	3858010089	A	Washer, zinc-plated, 5, 5X12X1
40	3850270012	A	Hinge, right
42	3850269014	A	Hinge pin, lower
44	3850340013	A	Hinge, lower right
46	3850362025	A	Plug, black
999	3850304027	A	Door reversing kit, black, right and left



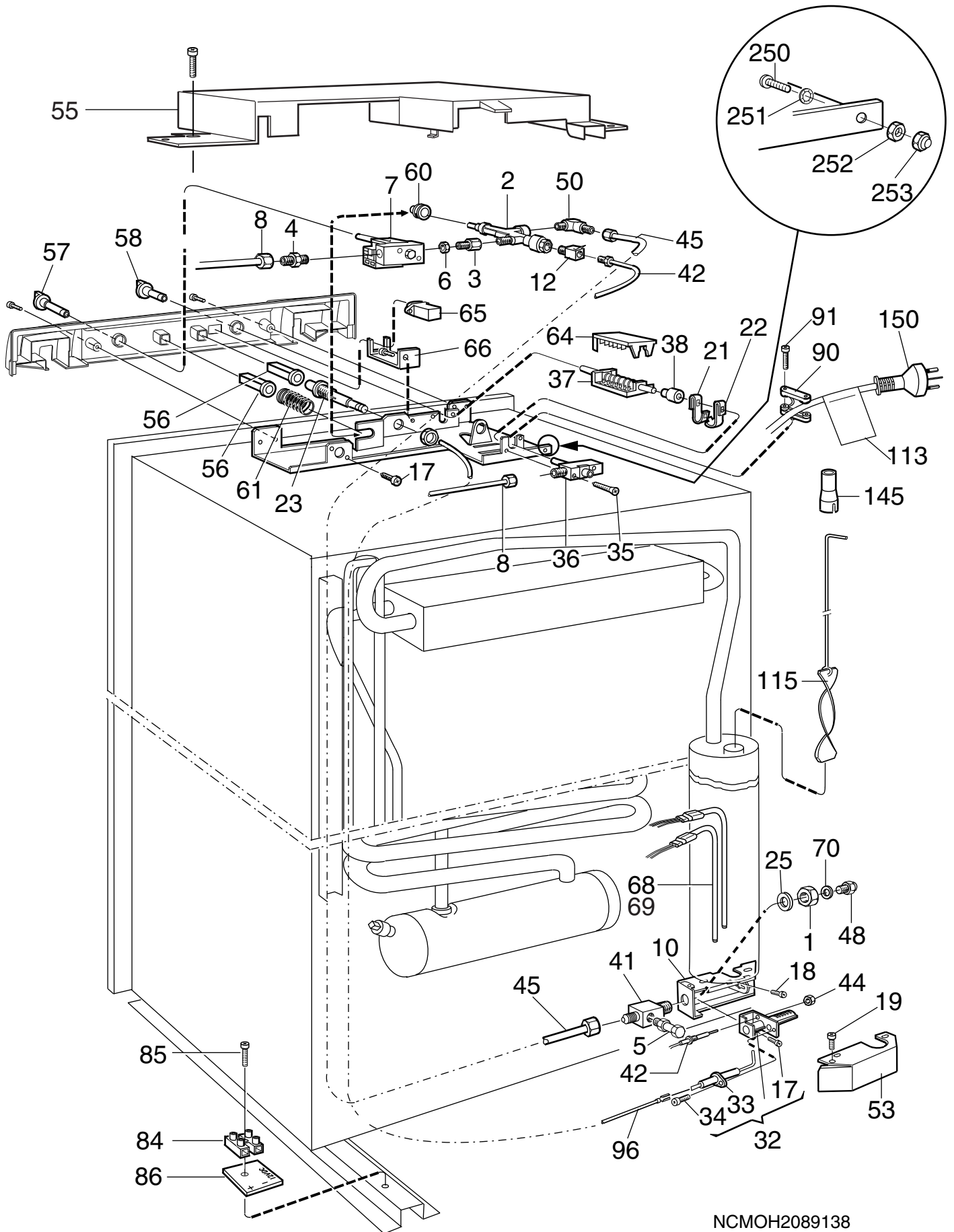
PCMOA3006925

---

Exploded view no.: PCMOA3006925  
P00003006925

<b>Matrix</b>	<b>PNC</b>	<b>ELC</b>	<b>ProdDate</b>	<b>Model</b>
A	921145062	00	20080424	RM2350

<b>Pos</b>	<b>Part No.</b>	<b>Matrix</b>	<b>Description</b>
1	3851163034	A	Refrigerator door,black
4	2931171066	A	Hinge bushing,black
5	3850261029	A	Plug,black
10	2930715053	A	Bottle holder,179mm
11	2930715061	A	Bottle holder,202mm
14	3851136014	A	Decoration strip,black
18	2002261242	A	Door shelf
20	3850260021	A	Lock plate,black
227	3858002037	A	Screw,zinc-plated,RXS B8, 4,2x13



NCMOH2089138

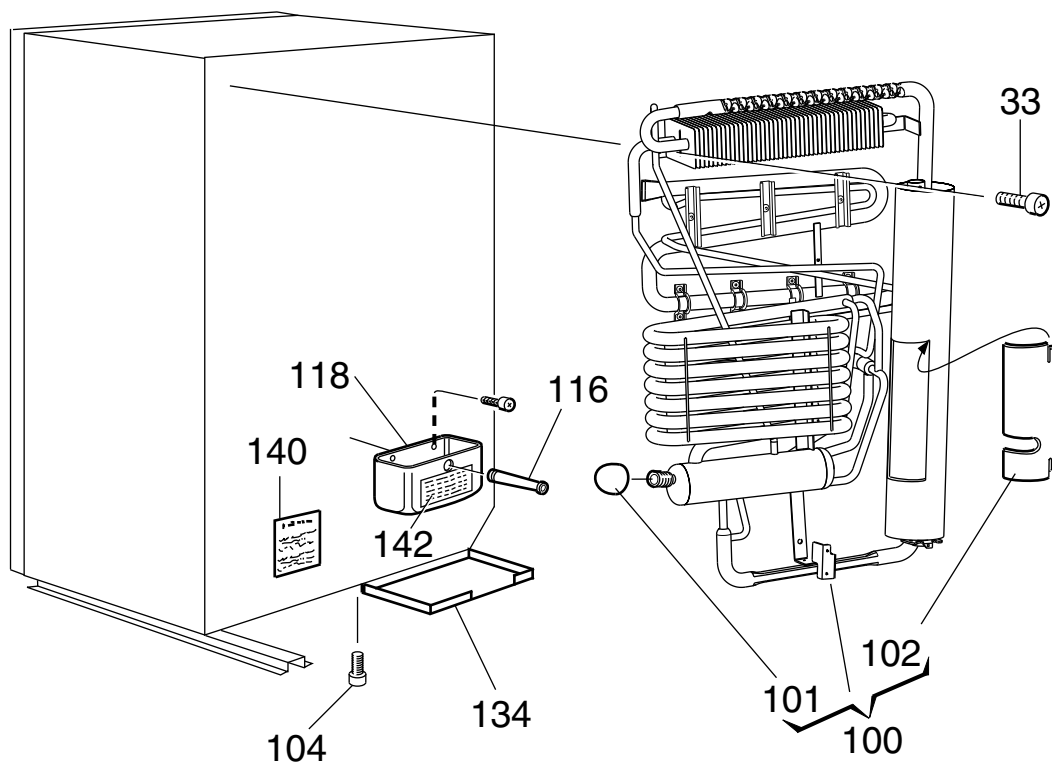


Matrix	PNC	ELC	ProdDate	Model
A	921145062	00	20080424	RM2350

Pos	Part No.	Matrix	Description
1	140207044	A	Nut
2	2931656017	A	Safety valve
3	2932591015	A	Nipple
4	2931338012	A	Nipple
5	2932097013	A	Nipple
6	2954070005	A	Nut
7	2931336016	A	Thermostat
8	2932619014	A	Gas pipe
10	2932603018	A	Burner housing
12	2955033002	A	Adaptor,thermo element
17	3858039039	A	Screw,zinc-plated,MRX M4X8
18	3858039047	A	Screw,zinc-plated,MRX M4X10
19	3858002144	A	Screw,zinc-plated,RXS B6X9,5
21	2007577014	A	Spring
22	2007578004	A	Spring
23	2931796011	A	Piezo lighter
25	3858010071	A	Washer,12,5X18,5X1
32	2930697061	A	Burner
33	2930379009	A	Electrode
34	3858005014	A	Screw,zinc-plated,RXK B6X9,5
35	3858056058	A	Screw,zinc-plated,MFX-TT M4X25
36	2932617026	A	Cock gas-
37	2932614015	A	Switch
38	2932602010	A	Bush
41	2931227017	A	Nipple
42	2932337013	A	Thermocouple
44	2801043015	A	Nut
45	3850295019	A	Gas pipe,burner
48	2007419159	A	Jet,no39
50	2930488008	A	Coupling
53	2932661016	A	Cover
55	3850255013	A	Protection,armature
56	3850265020	A	Push button,black
57	3850317029	A	Knob,thermostat,black
58	3850318027	A	Knob,switch,black
60	2932595016	A	Guidance
61	2932594019	A	Spring
64	2954023004	A	Cap
65	2955037011	A	Flame indicator
66	2933073013	A	Retainer
68	3850646047	A	Heater,175W, 12V
69	3850644489	A	Heater,175W, 240V
70	2007457001	A	Washer,0,5mm
84	3858022019	A	Terminal block

<b>Matrix</b>	<b>PNC</b>	<b>ELC</b>	<b>ProdDate</b>	<b>Model</b>
A	921145062	00	20080424	RM2350

<b>Pos</b>	<b>Part No.</b>	<b>Matrix</b>	<b>Description</b>
85	3858002185	A	Screw, zinc-plated, RXS B6X25
86	2933139012	A	Indicating plate, 12V
90	2932342013	A	Cable clamp
91	3858002177	A	Screw, zinc-plated, RXS B6X19
96	2931360032	A	Conductor, electrode
113	2932733005	A	Label
115	2007172022	A	Flame spreader
145	2932195015	A	Adaptor
150	3850555065	A	Cord set
250	3858004033	A	Screw, zinc-plated, MRX M4X16
251	3858011012	A	Lock washer, zinc-plated, 4, 3X8
252	3858009016	A	Hexagon nut, zinc-plated, M4X3, 2
253	3858028024	A	Lock nut, zinc-plated, M4



NCMOE2068520

<b>Matrix</b>	<b>PNC</b>	<b>ELC</b>	<b>ProdDate</b>	<b>Model</b>
A	921145062	00	20080424	RM2350

<b>Pos</b>	<b>Part No.</b>	<b>Matrix</b>	<b>Description</b>
33	3858039096	A	Screw, zinc-plated, MRX M5X14
100	2934341096	A	Cooling unit, 341
101	173228008	A	Cap
102	2800821007	A	Cover
104	3858068012	A	Screw, DK 4.8X16
116	2931829010	A	Outlet tube
118	2931828012	A	Drop tray
134	2933151017	A	Anti-splash
140	3850582002	A	Label
142	3850584008	A	Label
999	8251227057	A	User manual not shown

