

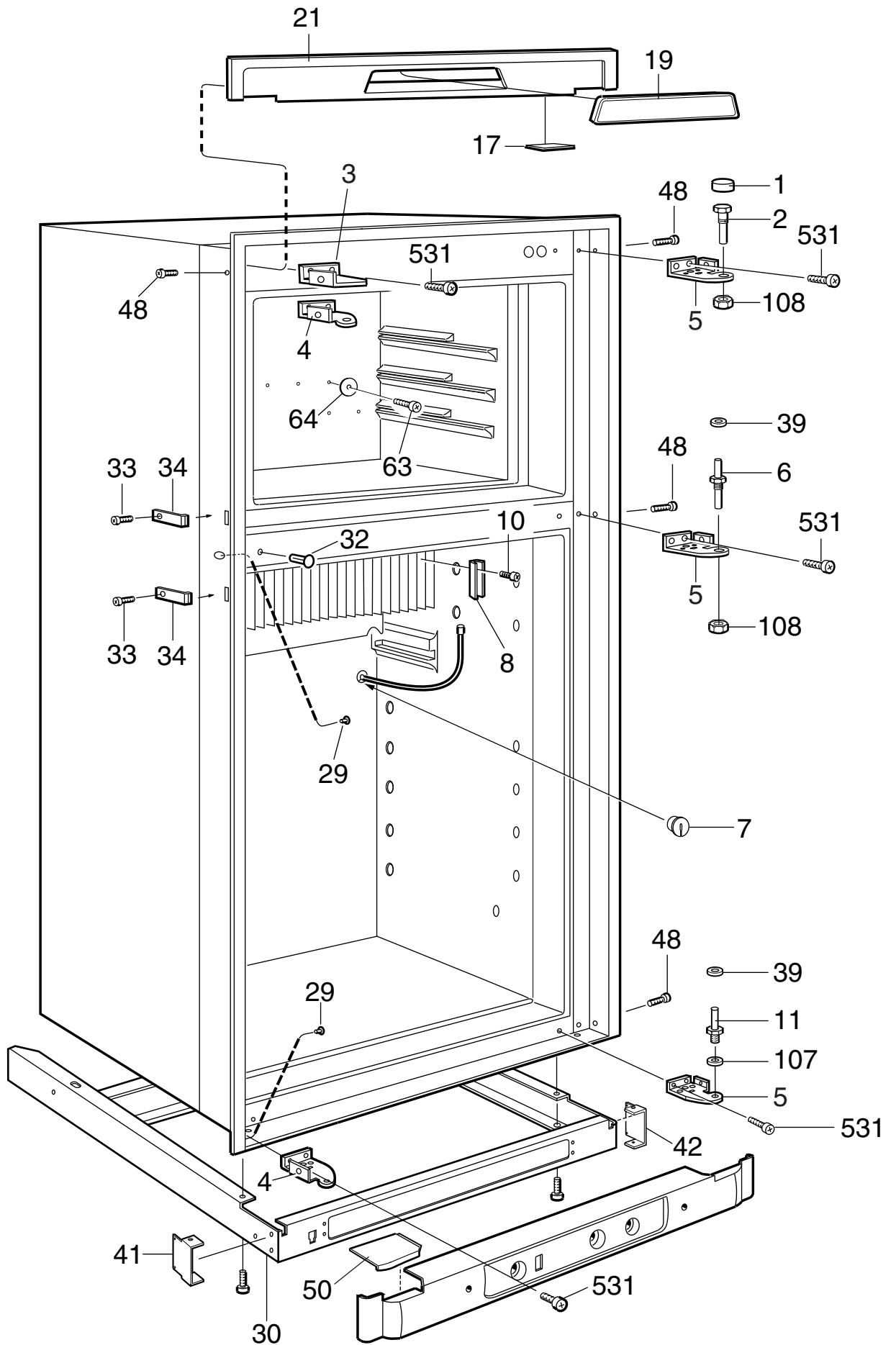
Absorption refrigerators
3110

| PNC | ELC | Brand | Model | Market |
|------------|------------|--------------|--------------|---------------|
| 921144071 | 00 | Dometic | RM4601 | AU |

Dometic Motala

Publication-No.
599532250
2008/02/18
MO

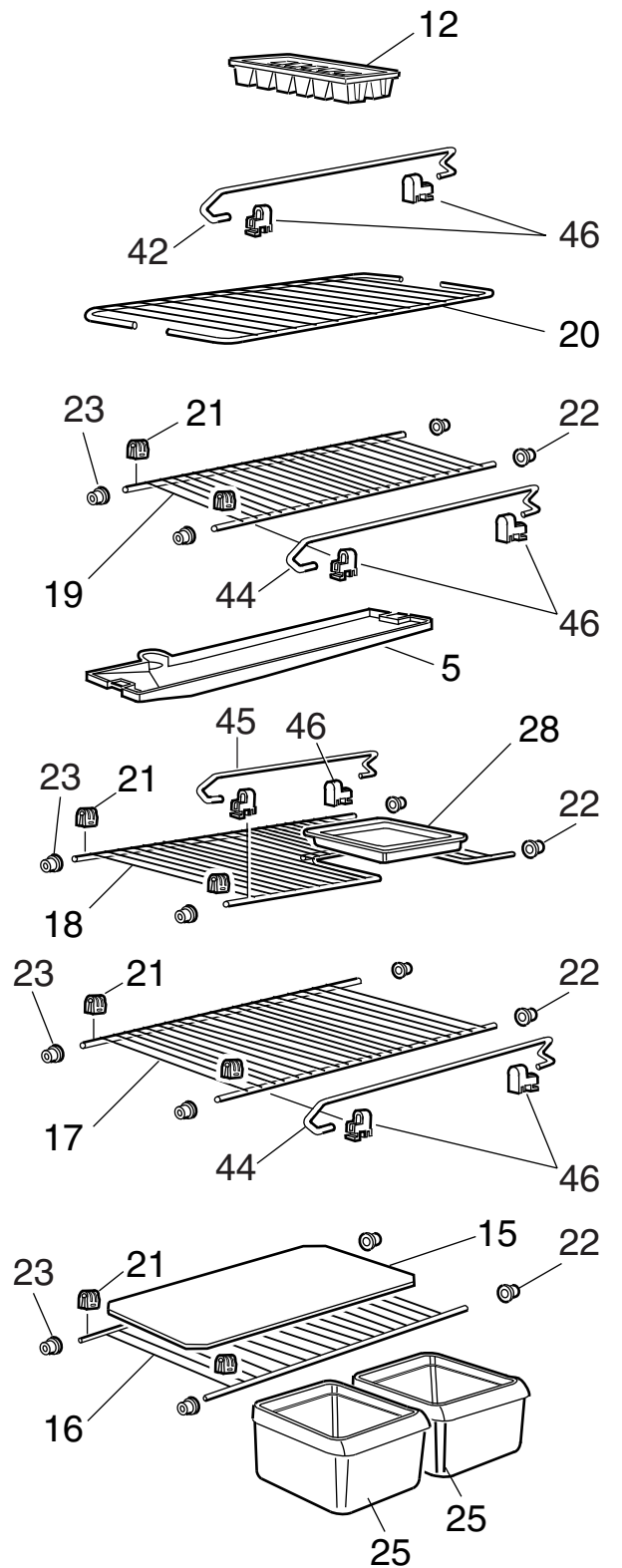
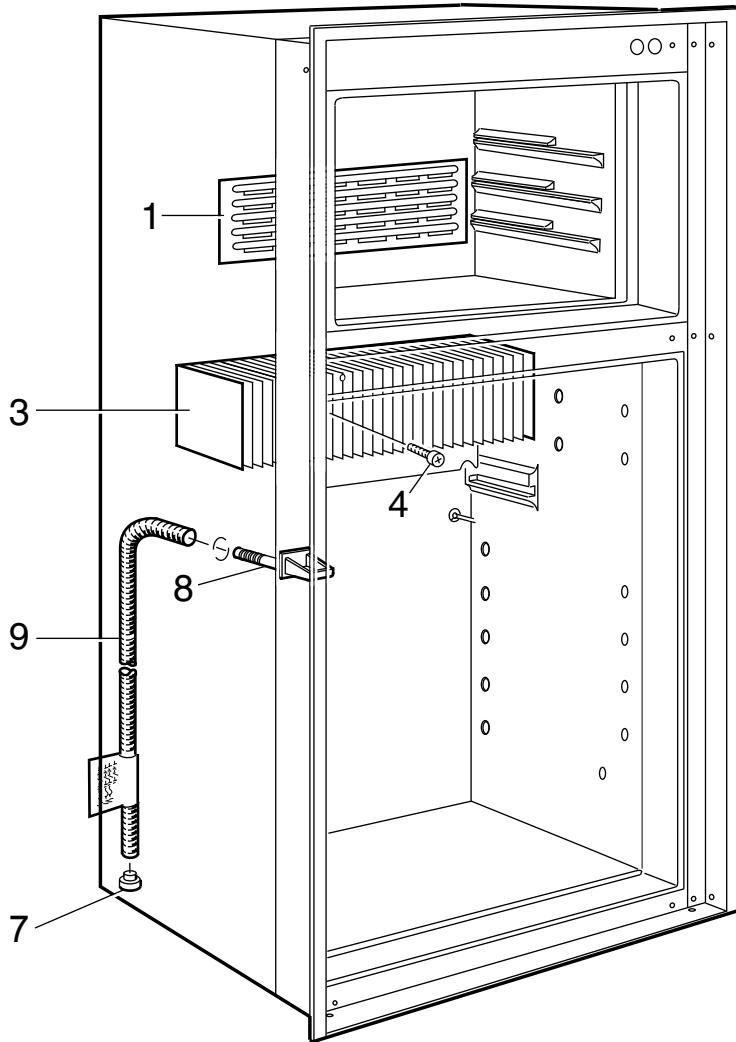
Caravan refrigerators



NCMOB2094756

| Matrix | PNC | ELC | ProdDate | Model |
|---------------|------------|------------|-----------------|--------------|
| A | 921144071 | 00 | 20080228 | RM4601 |

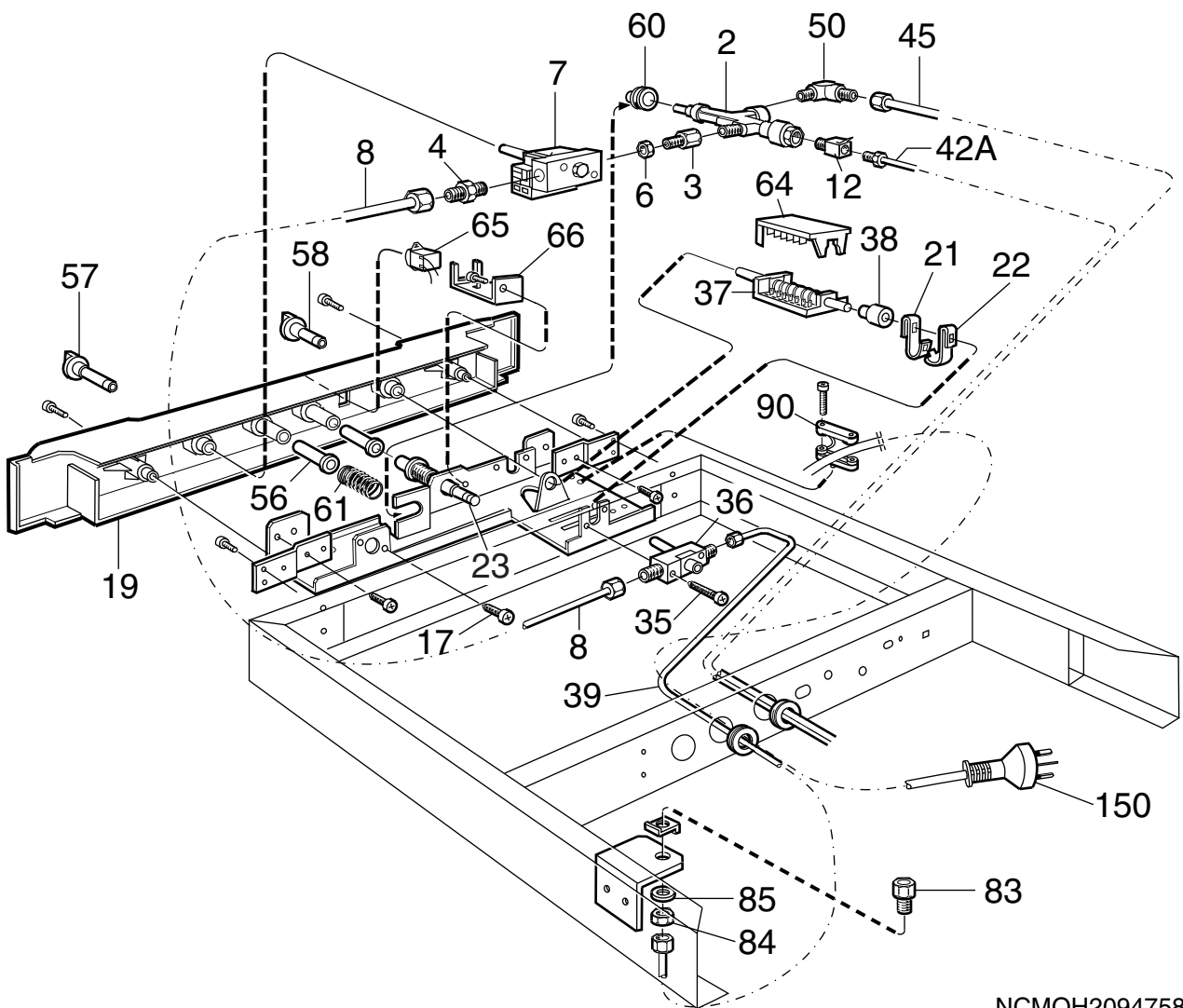
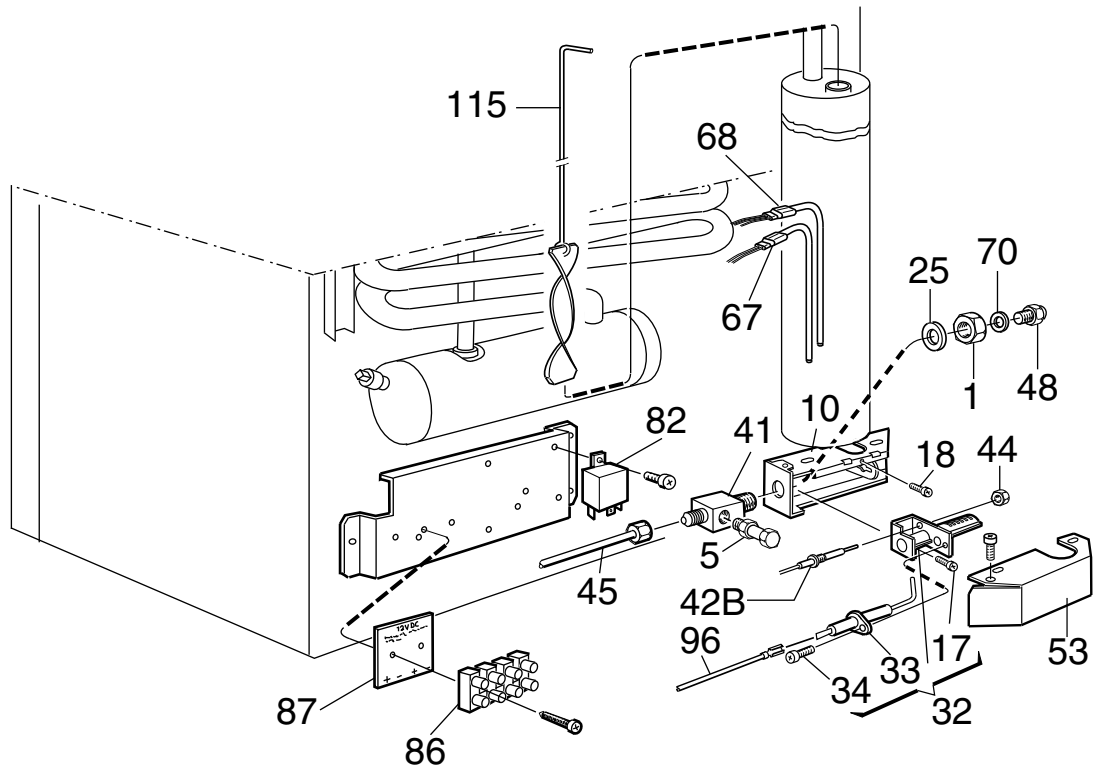
| Pos | Part No. | Matrix | Description |
|------------|-----------------|---------------|-------------------------------------|
| 1 | 2932736081 | A | Cover,black |
| 2 | 2932647015 | A | Hinge pin,upper |
| 3 | 2932644038 | A | Bracket,left,black |
| 3 | 2932644046 | A | Bracket,right,black |
| 4 | 2932643048 | A | Hinge,black |
| 5 | 2932643030 | A | Hinge,black |
| 6 | 2932648021 | A | Hinge pin,black |
| 7 | 2002301006 | A | Cover |
| 8 | 2890050004 | A | Clamp |
| 10 | 3858002276 | A | Screw,zinc-plated,RXS B8, 4,2x16 |
| 11 | 2932649011 | A | Hinge pin,lower |
| 17 | 2932330018 | A | Covering washer |
| 19 | 2933043040 | A | Cover plate,black,Dometic |
| 21 | 2932641034 | A | Front,black |
| 29 | 2930740077 | A | Cover,black |
| 30 | 2932836022 | A | Base |
| 32 | 3850585039 | A | Plug,black |
| 33 | 3858002052 | A | Screw,zinc-plated,RXS B6X6, 5 |
| 34 | 2932855014 | A | Fastening bow |
| 39 | 3858010022 | A | Washer,black, 5, 5X12X1 |
| 41 | 2932481019 | A | Bracket,left |
| 42 | 2932481027 | A | Bracket,right |
| 48 | 3858004058 | A | Screw,zinc-plated,MRX M4X4 |
| 50 | 2932479039 | A | Cover plate,black,left |
| 50 | 2932479047 | A | Cover plate,black,right |
| 63 | 3858036019 | A | Screw,zinc-plated,KFXS B10X38 |
| 64 | 3858010147 | A | Washer,aluminium, 5.2x22x1.5 |
| 107 | 3858010113 | A | Washer,zinc-plated,BRB 6, 4X12, 5 |
| 108 | 3858009057 | A | Nut,black,ML6 M6 |
| 531 | 3858039047 | A | Screw,zinc-plated,MRX M4X10 |
| 999 | 2932750199 | A | Door reversing kit,right-left,black |



NCMOD2052924

| Matrix | PNC | ELC | ProdDate | Model |
|--------|-----------|-----|----------|--------|
| A | 921144071 | 00 | 20080228 | RM4601 |

| Pos | Part No. | Matrix | Description |
|-----|------------|--------|---------------------------------|
| 1 | 2932728013 | A | Coverplate |
| 3 | 2932630029 | A | Cooling flange |
| 4 | 3858036019 | A | Screw, zinc-plated, KFXS B10X38 |
| 5 | 2932624014 | A | Evaporation tray |
| 7 | 2932115013 | A | Discharge pipe, plug |
| 8 | 2932635010 | A | Drain |
| 9 | 2932749019 | A | Drain hose, L=1375mm |
| 12 | 2930400003 | A | Ice tray |
| 15 | 2931117176 | A | Shelf, plastic |
| 16 | 3850324025 | A | Grating shelf |
| 17 | 3850324017 | A | Grating shelf |
| 18 | 3850325014 | A | Grating shelf |
| 19 | 3850324033 | A | Grating shelf |
| 20 | 2932627025 | A | Grating shelf |
| 21 | 2932102011 | A | Shelf support |
| 22 | 2932101013 | A | Plug |
| 23 | 2932103019 | A | Plug |
| 25 | 2932621010 | A | Vegetable box |
| 28 | 2932636018 | A | Box |
| 42 | 2007337146 | A | Rack |
| 44 | 2007337211 | A | Rack |
| 45 | 2007337120 | A | Rack |
| 46 | 2930693045 | A | Holder |



NCMOH2094758

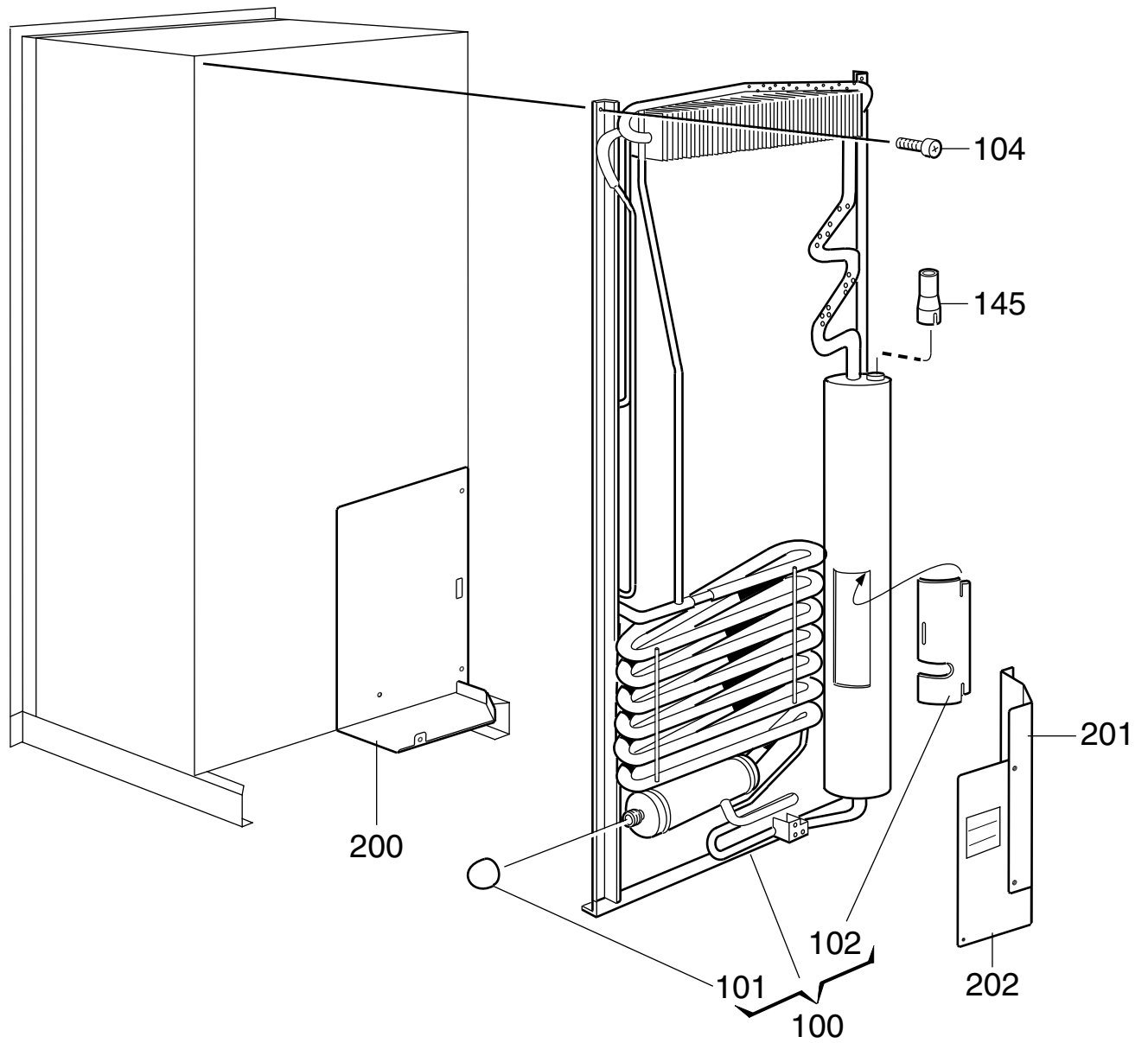
| Matrix | PNC | ELC | ProdDate | Model |
|--------|-----------|-----|----------|--------|
| A | 921144071 | 00 | 20080228 | RM4601 |

| Pos | Part No. | Matrix | Description |
|-----|------------|--------|--------------------------------|
| 1 | 140207044 | A | Nut |
| 2 | 2931656017 | A | Safety valve |
| 3 | 2932591015 | A | Nipple |
| 4 | 2931338012 | A | Nipple |
| 5 | 2932097013 | A | Nipple |
| 6 | 2954070005 | A | Nut |
| 7 | 2931336032 | A | Thermostat |
| 8 | 2932619014 | A | Gas pipe |
| 10 | 2932603018 | A | Burner housing |
| 12 | 2955033002 | A | Adaptor,thermo element |
| 17 | 3858039039 | A | Screw,zinc-plated,MRX M4X8 |
| 18 | 3858039047 | A | Screw,zinc-plated,MRX M4X10 |
| 19 | 2932476035 | A | Front,Base,black |
| 21 | 2007577014 | A | Spring |
| 22 | 2007578004 | A | Spring |
| 23 | 2931796011 | A | Piezo lighter |
| 25 | 3858010071 | A | Washer,12,5X18,5X1 |
| 32 | 2930697061 | A | Burner |
| 33 | 2930379009 | A | Electrode |
| 34 | 3858005014 | A | Screw,zinc-plated,RXK B6X9,5 |
| 35 | 3858056058 | A | Screw,zinc-plated,MFX-TT M4X25 |
| 36 | 2932617018 | A | Gas cock |
| 37 | 2932614015 | A | Switch |
| 38 | 2932602010 | A | Bush |
| 39 | 2933050011 | A | Gas pipe |
| 41 | 2931227017 | A | Nipple |
| 42A | 2932726041 | A | Thermo element,elongation,500 |
| 42B | 2932726025 | A | Thermo element,500 |
| 44 | 2801043015 | A | Nut |
| 45 | 2933049013 | A | Gas pipe |
| 48 | 2007419217 | A | Jet,complete,no. 58 |
| 50 | 2930488008 | A | Coupling |
| 53 | 2932661016 | A | Cover |
| 56 | 2932596030 | A | Push button,black |
| 57 | 2932605054 | A | Knob,complete,black |
| 58 | 2932607050 | A | Knob,complete,black |
| 60 | 2932595016 | A | Guidance |
| 61 | 2932594019 | A | Spring |
| 64 | 2954023004 | A | Cap |
| 65 | 2955037011 | A | Flame indicator |
| 66 | 2933071017 | A | Mounting plate |
| 67 | 3850646062 | A | Heater,275W, 12V |
| 68 | 3850644257 | A | Heater,325W, 240V |
| 70 | 2007457001 | A | Washer,0,5mm |

Exploded view no.: NCMOH2094758
N00002000216

| Matrix | PNC | ELC | ProdDate | Model |
|---------------|------------|------------|-----------------|--------------|
| A | 921144071 | 00 | 20080228 | RM4601 |

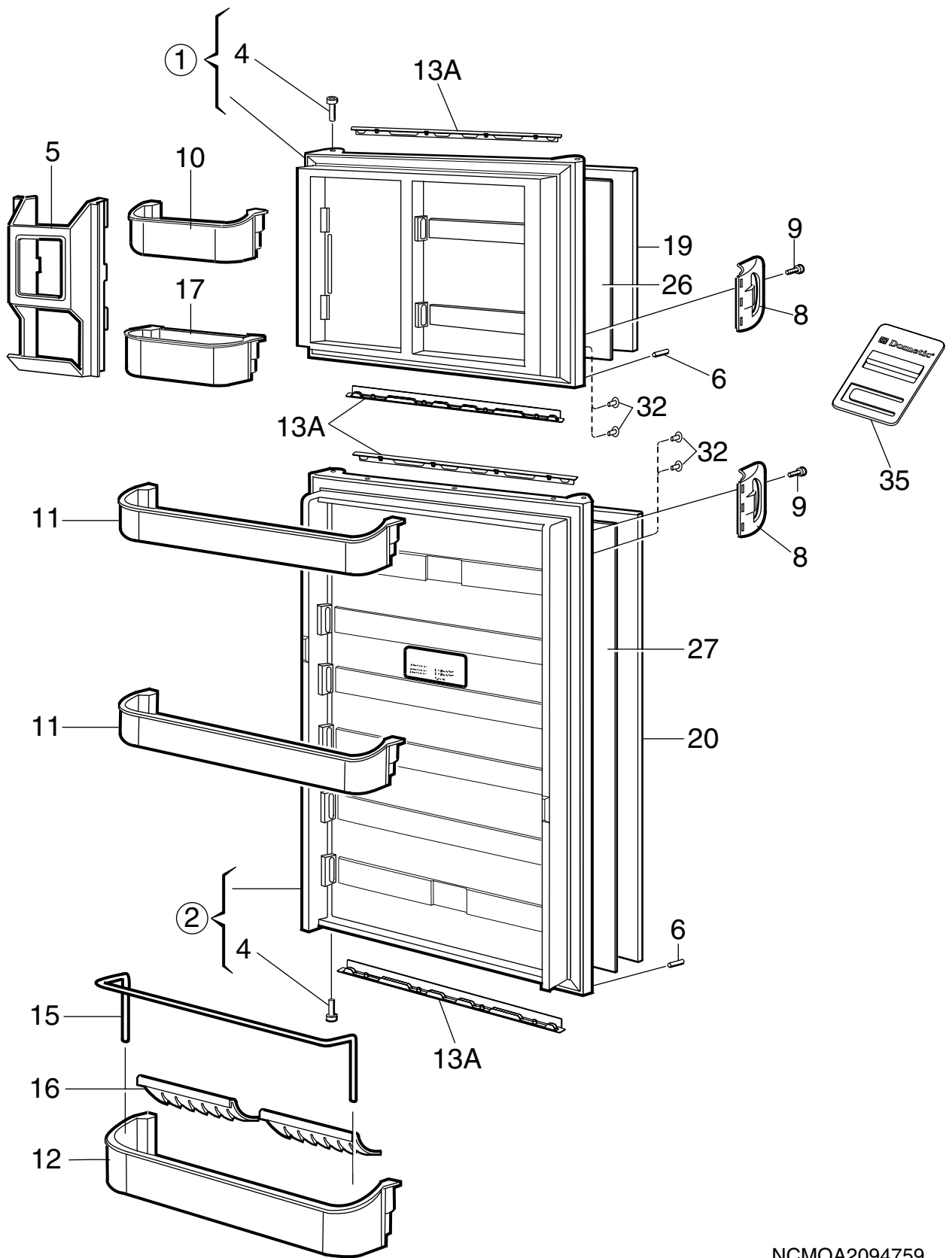
| Pos | Part No. | Matrix | Description |
|------------|-----------------|---------------|--------------------|
| 82 | 3851334007 | A | Relay |
| 83 | 2954068009 | A | Nipple |
| 84 | 2954069007 | A | Nut |
| 85 | 3858055019 | A | Washer |
| 86 | 3858022035 | A | Terminal block |
| 87 | 2933067015 | A | Insulating plate |
| 90 | 2932342013 | A | Cable clamp |
| 96 | 2931360065 | A | Ignition cable |
| 115 | 2007590058 | A | Flue,baffle |
| 150 | 3850555065 | A | Cord set |



NCMOE2094760

| Matrix | PNC | ELC | ProdDate | Model |
|---------------|------------|------------|-----------------|--------------|
| A | 921144071 | 00 | 20080228 | RM4601 |

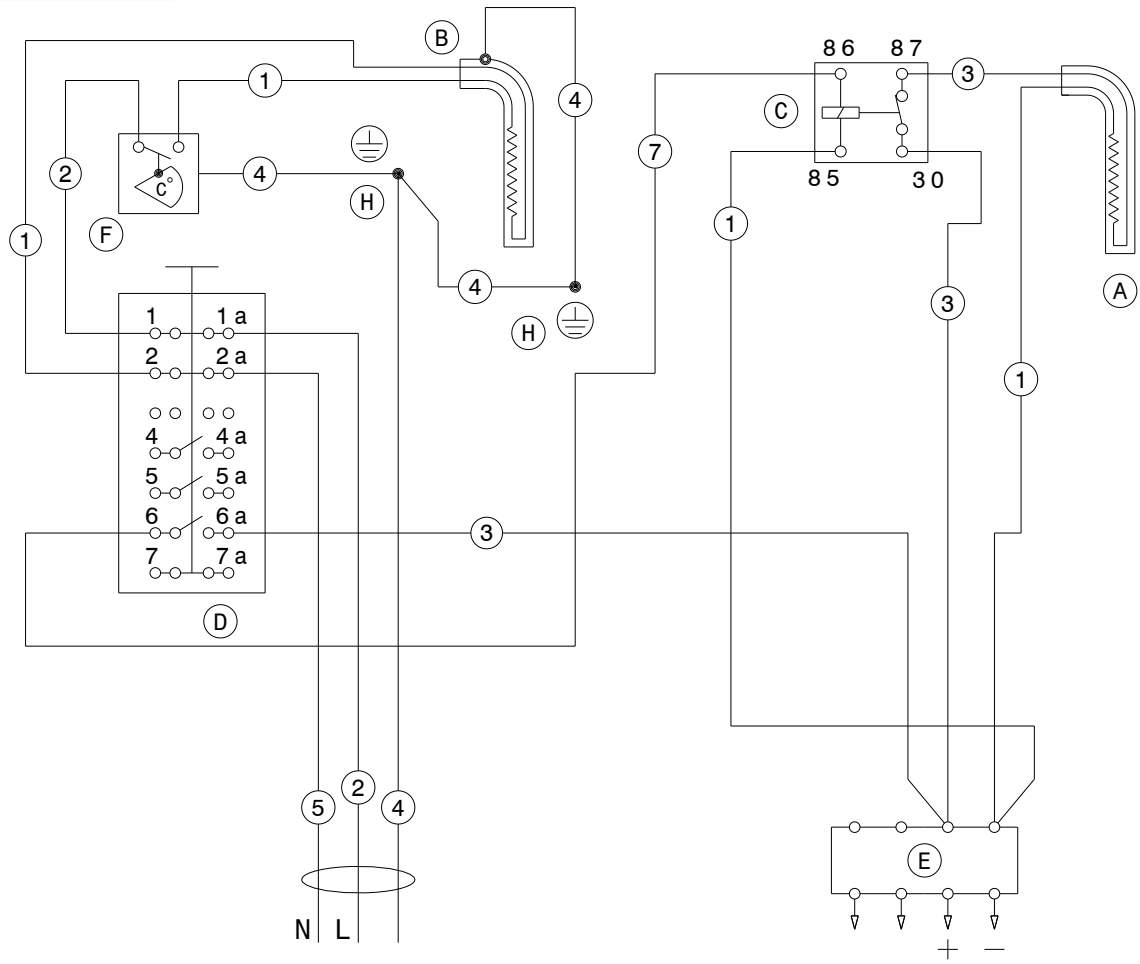
| Pos | Part No. | Matrix | Description |
|------------|-----------------|---------------|--------------------------|
| 100 | 2934605094 | A | Cooling unit,605 |
| 101 | 173228008 | A | Cap |
| 102 | 2933557007 | A | Cover sheet |
| 104 | 3858068012 | A | Screw,DK 4.8X16 |
| 145 | 2932195015 | A | Adaptor |
| 200 | 3851300016 | A | Cover plate |
| 201 | 3851301014 | A | Cover plate,side |
| 202 | 3851302012 | A | Cover plate,back |
| 999 | 8227089078 | A | User manual not shown |



NCMOA2094759

| Matrix | PNC | ELC | ProdDate | Model |
|---------------|------------|------------|-----------------|--------------|
| A | 921144071 | 00 | 20080228 | RM4601 |

| Pos | Part No. | Matrix | Description |
|------------|-----------------|---------------|---------------------------------------|
| 1 | 2932561190 | A | Freezer door, right, black |
| 2 | 2932563055 | A | Refrigerator door, right, black |
| 4 | 2931171066 | A | Hinge bushing, black |
| 5 | 2932578020 | A | Juice container |
| 6 | 2932588011 | A | Stopper |
| 8 | 3851174023 | A | Handle, black |
| 9 | 3858000049 | A | Screw, black, PT 50X26 |
| 10 | 2932577014 | A | Door shelf |
| 11 | 2932576016 | A | Door shelf |
| 12 | 2932575018 | A | Bottle shelf |
| 13A | 3850919022 | A | Decoration strip, black |
| 15 | 2932585033 | A | Rack |
| 16 | 2932658012 | A | Bottle holder, white |
| 17 | 2932579010 | A | Ice container |
| 19 | 3851406011 | A | Door panel, freezer door, silver |
| 20 | 3851406029 | A | Door panel, refrigerator door, silver |
| 26 | 2932469071 | A | Cushion, door panel |
| 27 | 2932469055 | A | Cushion, door panel |
| 32 | 3850625025 | A | Cover, black |
| 35 | 3850781018 | A | Spacer, door |



- (A) — HEATER 12V DC
- (B) — HEATER 230,240V AC
- (C) — RELAY
- (D) — SWITCH
- (E) — TERMINAL BLOCK
- (F) — THERMOSTAT
- (G) — RETAINER
- (H) — PROTECTIVE EARTH

- (1) — BLACK
- (2) — BROWN
- (3) — RED
- (4) — YELLOW/GREEN
- (5) — BLUE
- (6) — WHITE
- (7) — GREY