

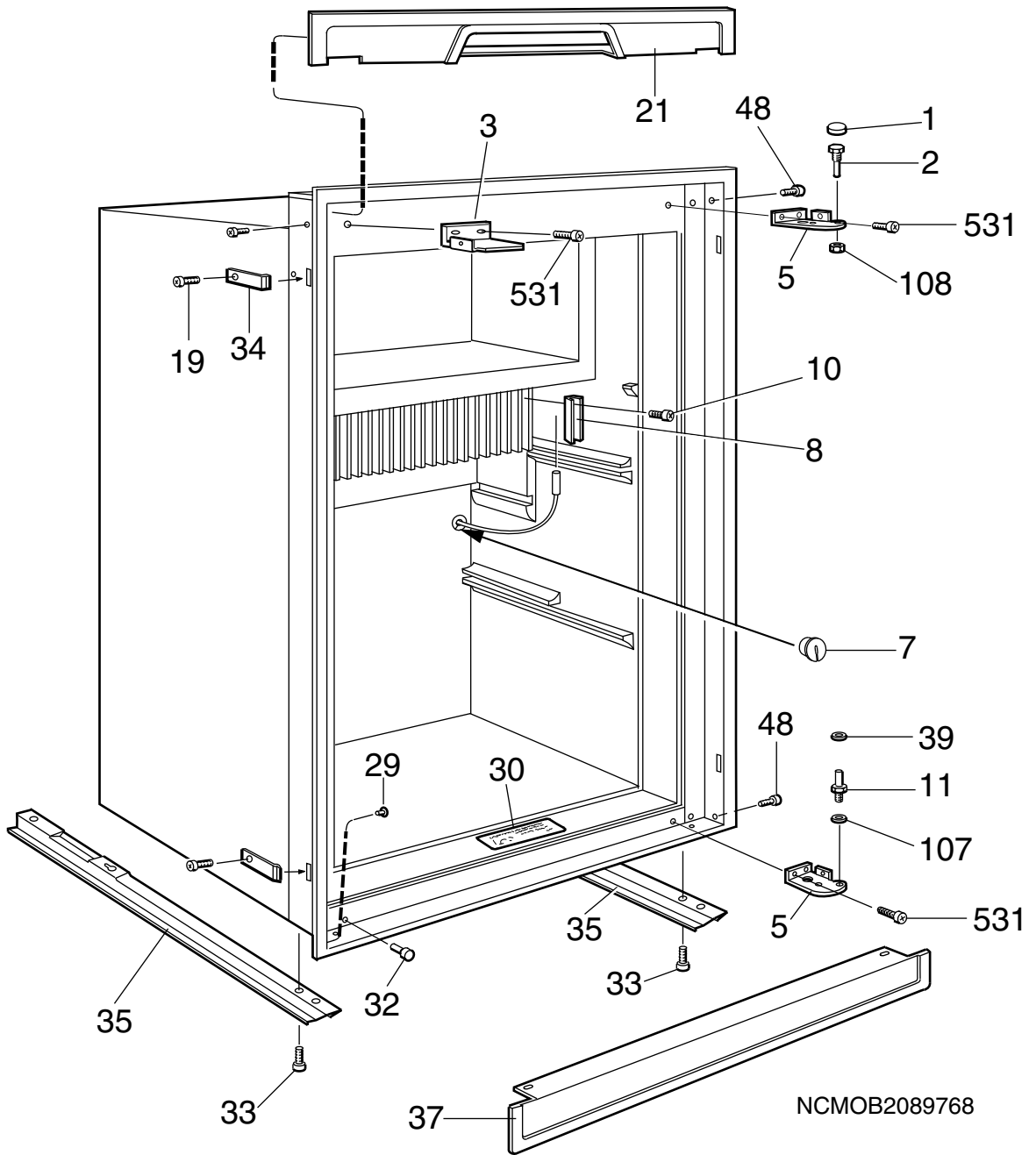
Absorption refrigerators
3110

PNC	ELC	Brand	Model	Market
921140139	00	Dometic	RM2453	AU

Dometic Motala

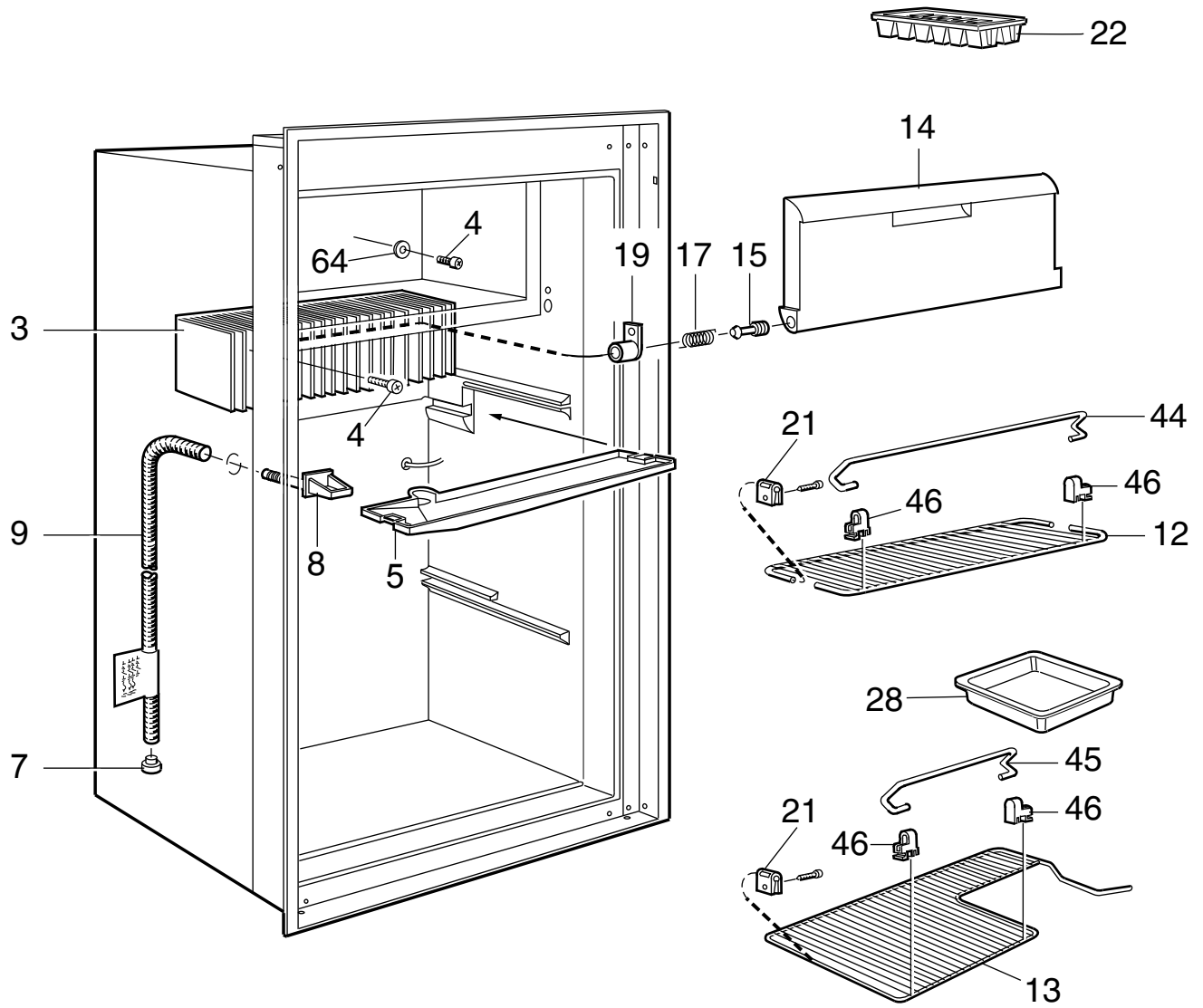
Publication-No.
599532504
2008/03/13
MO

Caravan refrigerators



Matrix	PNC	ELC	ProdDate	Model
A	921140139	00	20080409	RM2453

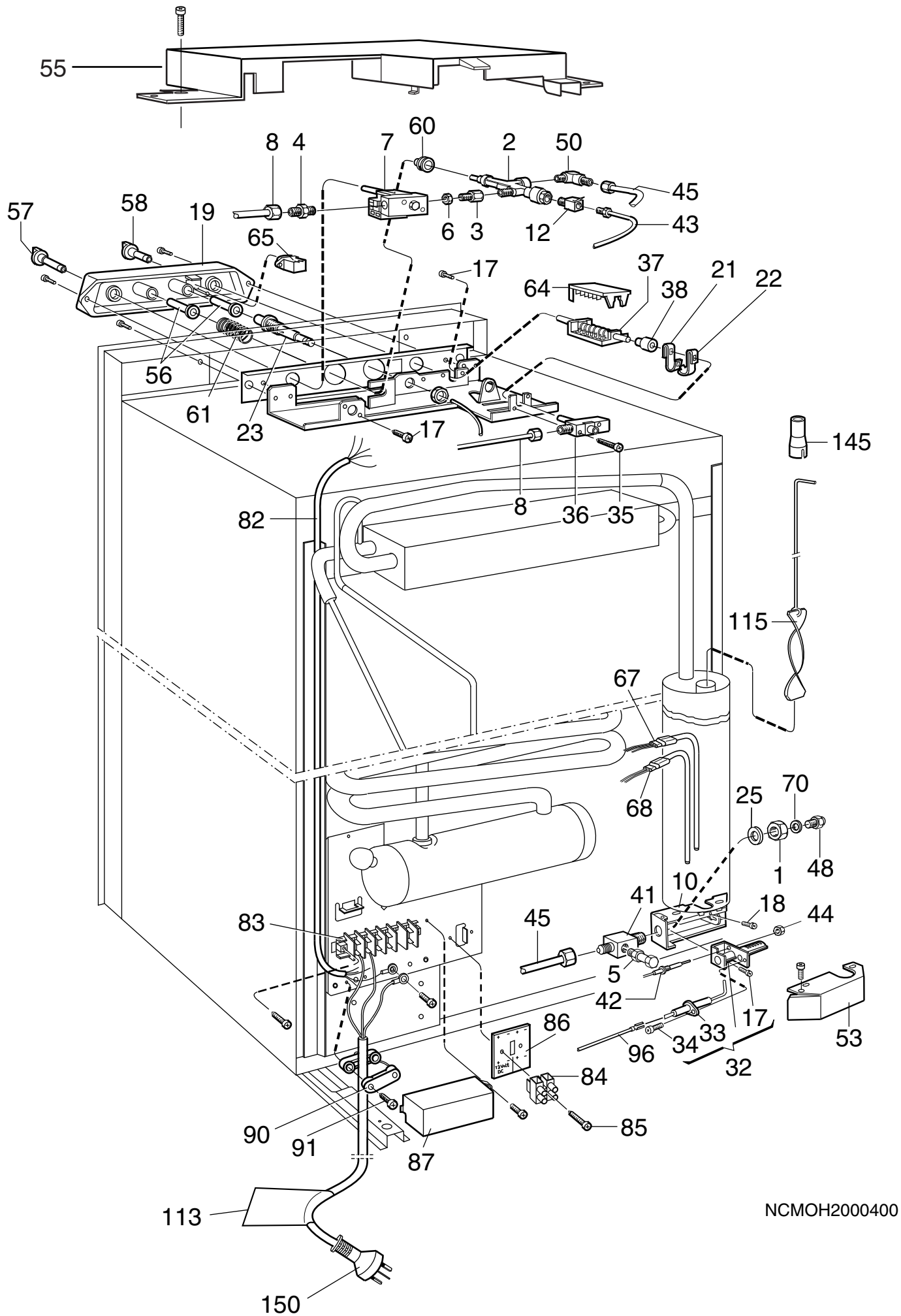
Pos	Part No.	Matrix	Description
1	2932736081	A	Cover,black
2	2932647015	A	Hinge pin,upper
3	2932644038	A	Bracket,left,black
5	2932643030	A	Hinge,black
7	2002301006	A	Cover
8	2890050004	A	Clamp
10	3858002276	A	Screw,zinc-plated,RXS B8, 4,2x16
11	2932649011	A	Hinge pin,lower
19	3858002052	A	Screw,zinc-plated,RXS B6X6, 5
21	2932640044	A	Front decoration,black
29	2930740077	A	Cover,black
30	3850952007	A	Instruction plate
32	3850585039	A	Plug,black
33	3858039096	A	Screw,zinc-plated,MRX M5X14
34	2932855014	A	Fastening bow
35	2932660018	A	Rail
37	2932690049	A	Base cover,black
39	3858010022	A	Washer,black,5,5X12X1
48	3858004058	A	Screw,zinc-plated,MRX M4X4
107	3858010113	A	Washer,zinc-plated,BRB 6,4X12,5
108	3858009057	A	Nut,black,ML6 M6
531	3858039047	A	Screw,zinc-plated,MRX M4X10
999	2932750132	A	Door reversing kit,right-left,black not shown



NCMOD2089769

Matrix	PNC	ELC	ProdDate	Model
A	921140139	00	20080409	RM2453

Pos	Part No.	Matrix	Description
3	2932628015	A	Cooling flange
4	3858036019	A	Screw, zinc-plated, KFXS B10X38
5	2932623016	A	Evaporation tray
7	2932115013	A	Discharge pipe, plug
8	2932635010	A	Drain
9	2932749019	A	Drain hose, L=1375mm
12	2932625060	A	Grating shelf
13	2932626142	A	Grating shelf
14	2932650019	A	Flap freezer-
15	2002238000	A	Bolt
17	2932754019	A	Spring, left
17	2932754027	A	Spring, right
19	2002236004	A	Spring casing, left
19	2002236012	A	Spring casing, right
21	2932668029	A	Bracket
22	2930400003	A	Ice tray
28	2932636018	A	Box
44	2007337138	A	Rack, L=381mm approx 15"
45	2007337120	A	Rack
46	2930693045	A	Holder
64	3858010147	A	Washer, aluminium, 5.2x22x1.5



NCMOH2000400

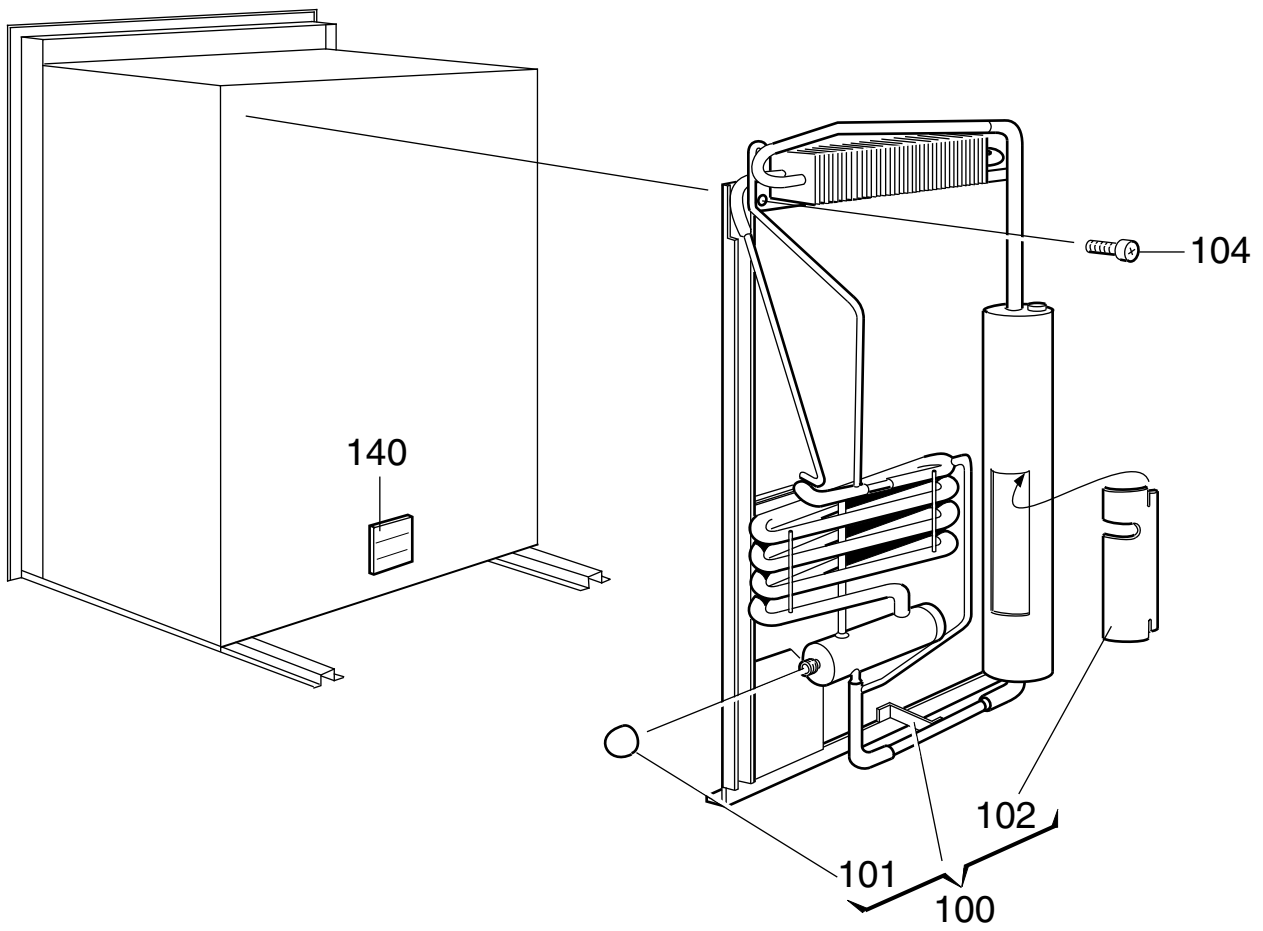
Matrix	PNC	ELC	ProdDate	Model
A	921140139	00	20080409	RM2453

Pos	Part No.	Matrix	Description
1	140207044	A	Nut
2	2931656017	A	Safety valve
3	2932591015	A	Nipple
4	2931338012	A	Nipple
5	2932097013	A	Nipple
6	2954070005	A	Nut
7	2931336016	A	Thermostat
8	2932619014	A	Gas pipe
10	2932603018	A	Burner housing
12	2955033002	A	Adaptor,thermo element
17	3858039039	A	Screw,zinc-plated,MRX M4X8
18	3858039047	A	Screw,zinc-plated,MRX M4X10
19	2932600071	A	Front panel,black
21	2007577014	A	Spring
22	2007578004	A	Spring
23	2931796011	A	Piezo lighter
25	3858010071	A	Washer,12,5X18,5X1
32	2930697061	A	Burner
33	2930379009	A	Electrode
34	3858005014	A	Screw,zinc-plated,RXK B6X9,5
35	3858056058	A	Screw,zinc-plated,MFX-TT M4X25
36	2932617026	A	Cock gas-
37	2932614015	A	Switch
38	2932602010	A	Bush
41	2931227017	A	Nipple
42	2932726025	A	Thermo element,500
43	2932726033	A	Thermo element,elongation,1500
44	2801043015	A	Nut
45	2932620012	A	Gas pipe,burner
48	2007419167	A	Jet,43
50	2930488008	A	Coupling
53	2932661016	A	Cover
55	3850255013	A	Protection,armature
56	2932596030	A	Push button,black
57	2932605047	A	Knob,black
58	2932607043	A	Knob,black
60	2932595016	A	Guidance
61	2932594019	A	Spring
64	2954023004	A	Cap
65	2955037011	A	Flame indicator
67	3850644091	A	Heater,195W, 240V
68	3850646054	A	Heater,175W, 12V
70	2007457001	A	Washer,0,5mm
82	2954427031	A	Conductor,cpl.

Exploded view no.: NCMOH2000400
N00002000488

Matrix	PNC	ELC	ProdDate	Model
A	921140139	00	20080409	RM2453

Pos	Part No.	Matrix	Description
83	2932592013	A	Terminal block
84	3858022019	A	Terminal block
85	3858002185	A	Screw, zinc-plated, RXS B6X25
86	2932597012	A	Sign plate, 12V
87	2932609015	A	Cover
90	2932342013	A	Cable clamp
91	3858002177	A	Screw, zinc-plated, RXS B6X19
96	2931360032	A	Conductor, electrode
113	2932733005	A	Label
115	2007590017	A	Flame spreader
145	2932195015	A	Adaptor
150	3850555016	A	Cord set

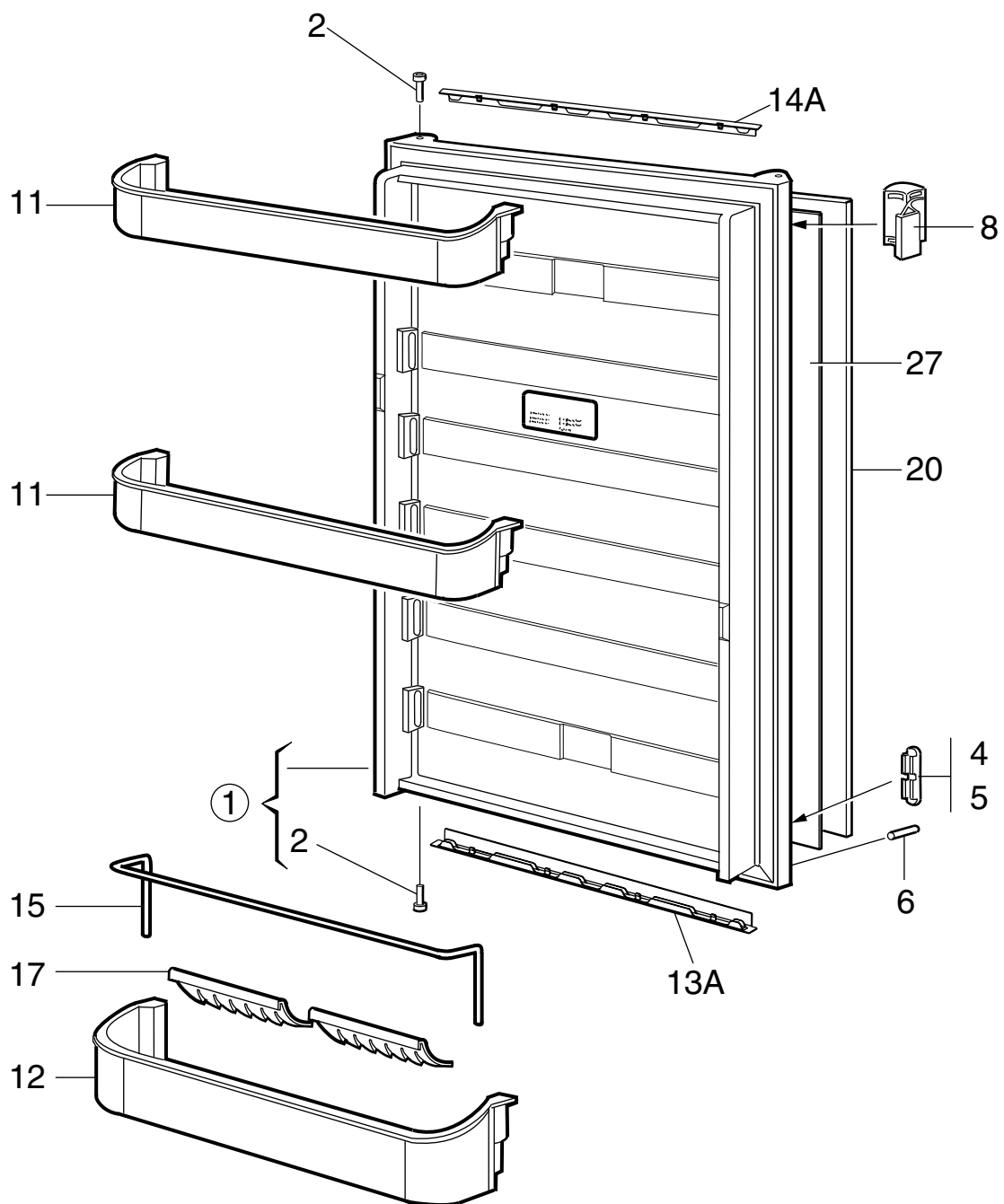


NCMOE2000489

Exploded view no.: NCMOE2000489
N00002000489

Matrix	PNC	ELC	ProdDate	Model
A	921140139	00	20080409	RM2453

Pos	Part No.	Matrix	Description
100	2934405099	A	Cooling unit,405
101	173228008	A	Cap
102	2933557007	A	Cover sheet
104	3858068012	A	Screw,DK 4.8X16
140	3850582002	A	Label
999	8227036046	A	User manual not shown

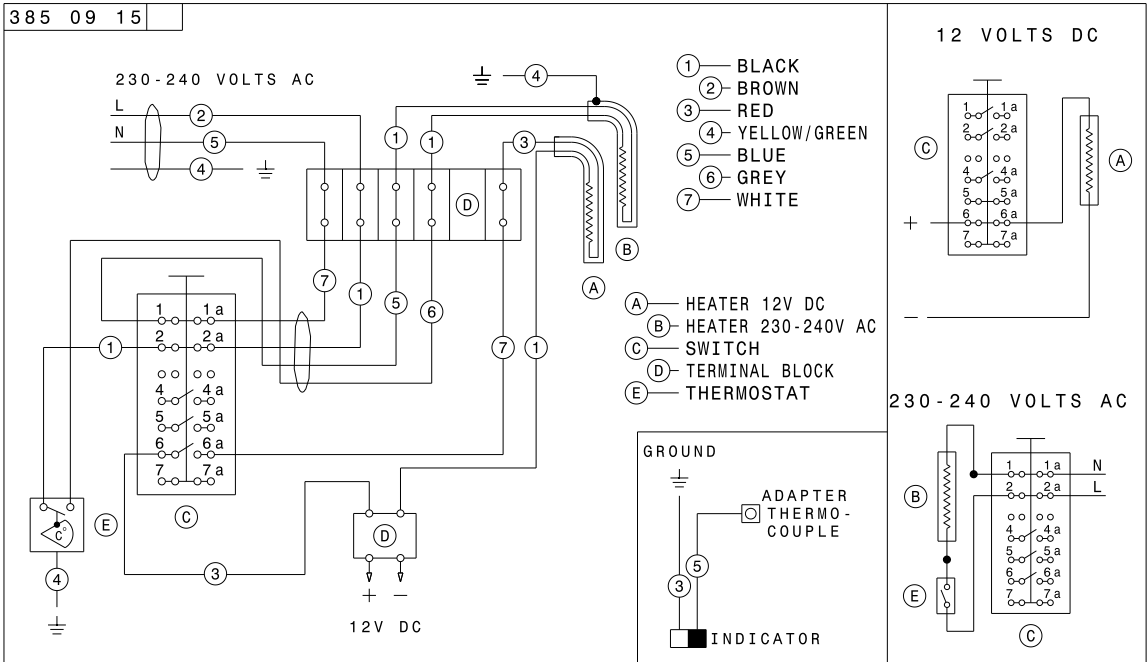


NCMOA2000490

Matrix	PNC	ELC	ProdDate	Model
A	921140139	00	20080409	RM2453

Pos	Part No.	Matrix	Description
1	2932563139	A	Refrigerator door,black
2	2931171066	A	Hinge bushing,black
4	2932682038	A	Plug,upper right,lower left
5	2932682046	A	Plug,upper left,lower right
6	2932588011	A	Stopper
8	2932670025	A	Handle,black
11	2932576016	A	Door shelf
12	2932575018	A	Bottle shelf
13A	3850919022	A	Decoration strip,black
14A	3850919063	A	Decoration strip,black
15	2932585033	A	Rack
17	2932658012	A	Bottle holder,white
20	3851406029	A	Door panel,refrigerator door,silver
27	2932469055	A	Cushion,door panel

385 09 15



N38509150